

4

3



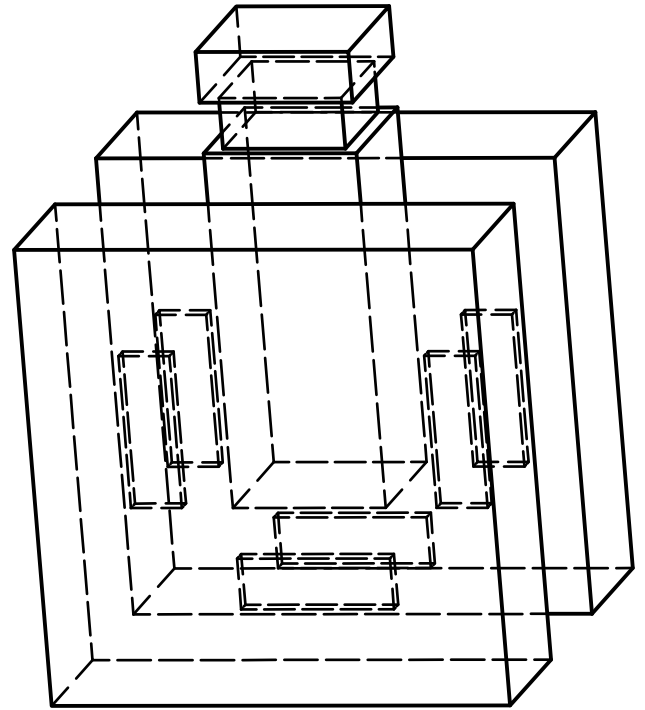
2



1

B

B



A

A

1.ipt

4

3



2



1

4

3

2

1

B

B



A

A



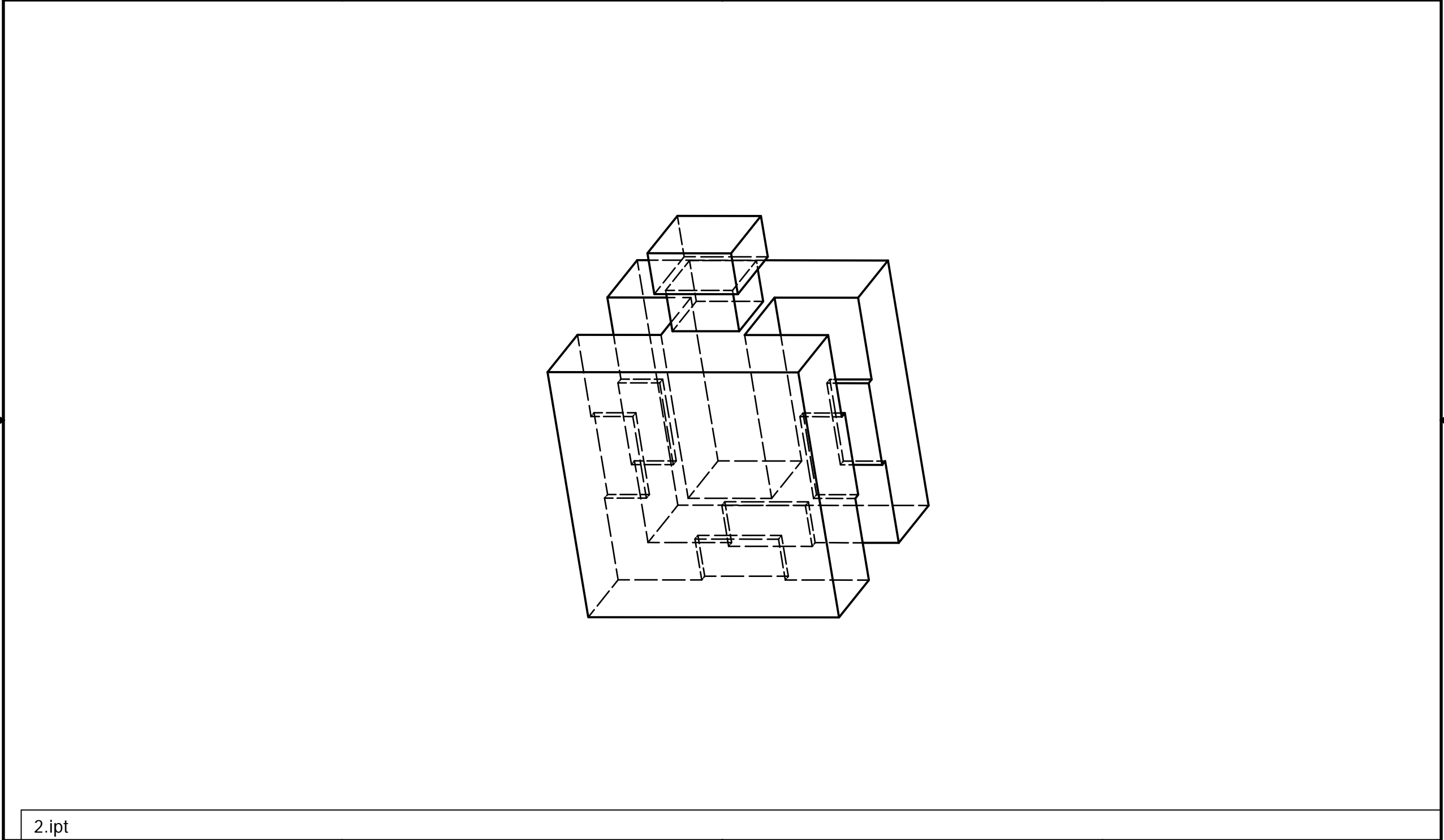
4

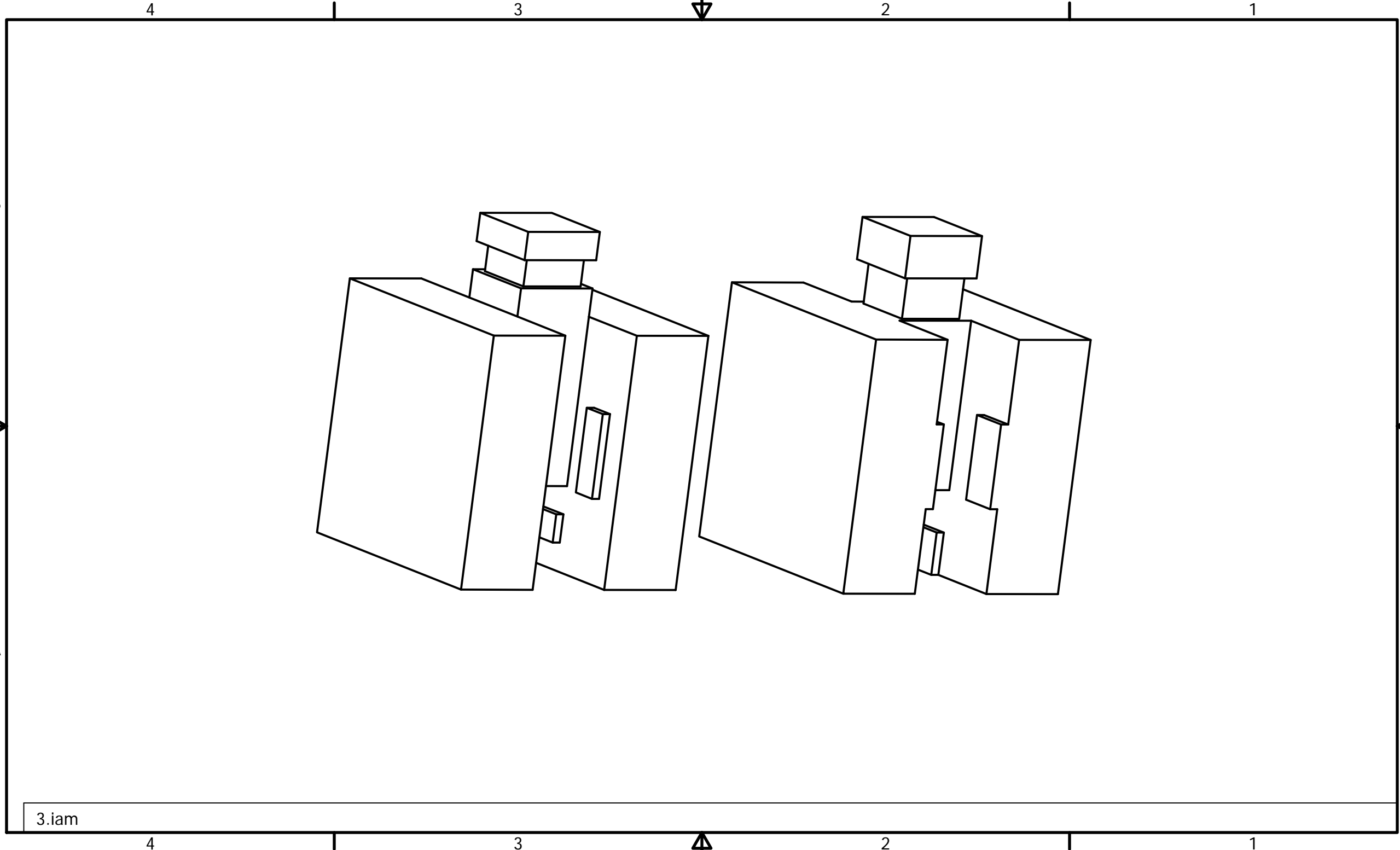
3

2

1

2.ipt





3.iam

4

3

2

1

B

B

A

A

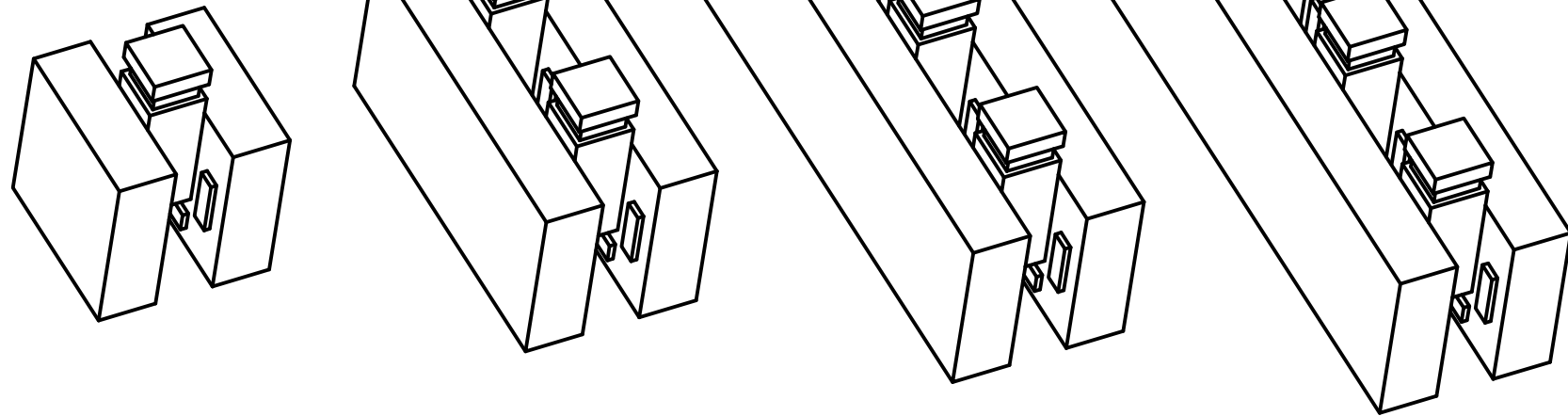
4.iam

4

3

2

1



4

3

2

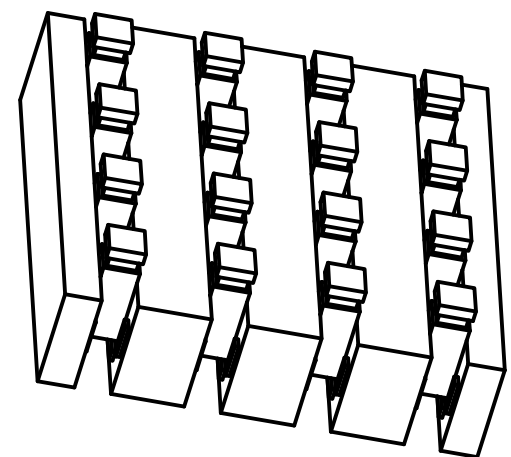
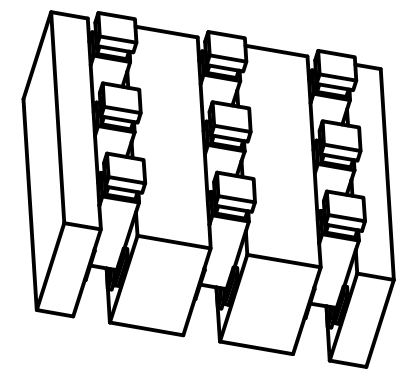
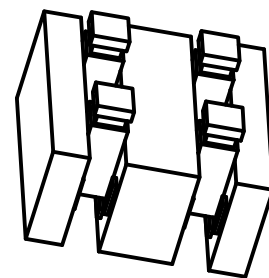
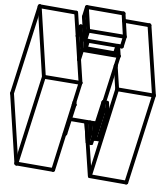
1

B

B

A

A



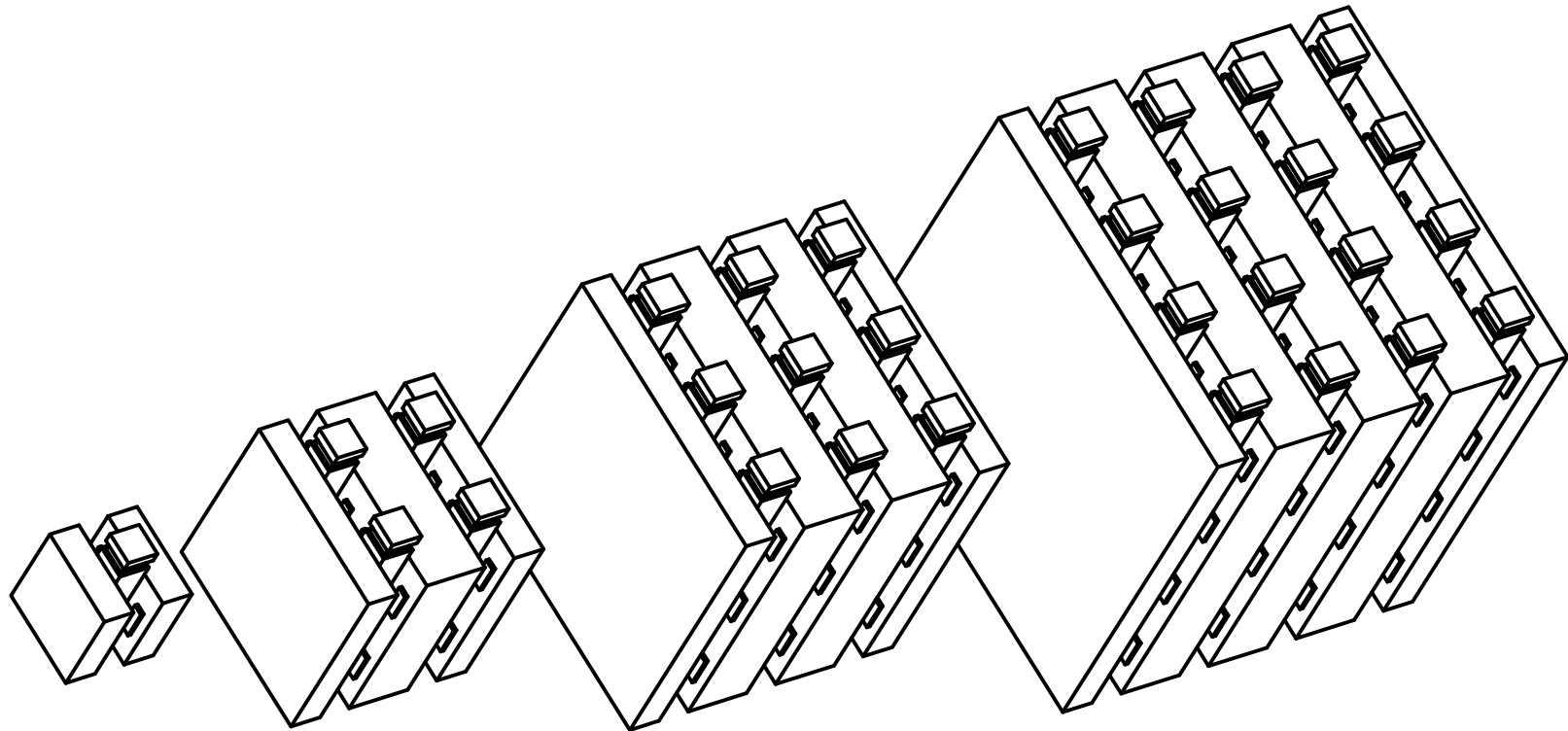
5.iam

4

3

2

1



4

3

2

1

B

B

A

A

6.iam

4

3

2

1

4

3

2

1

B

B

A

A

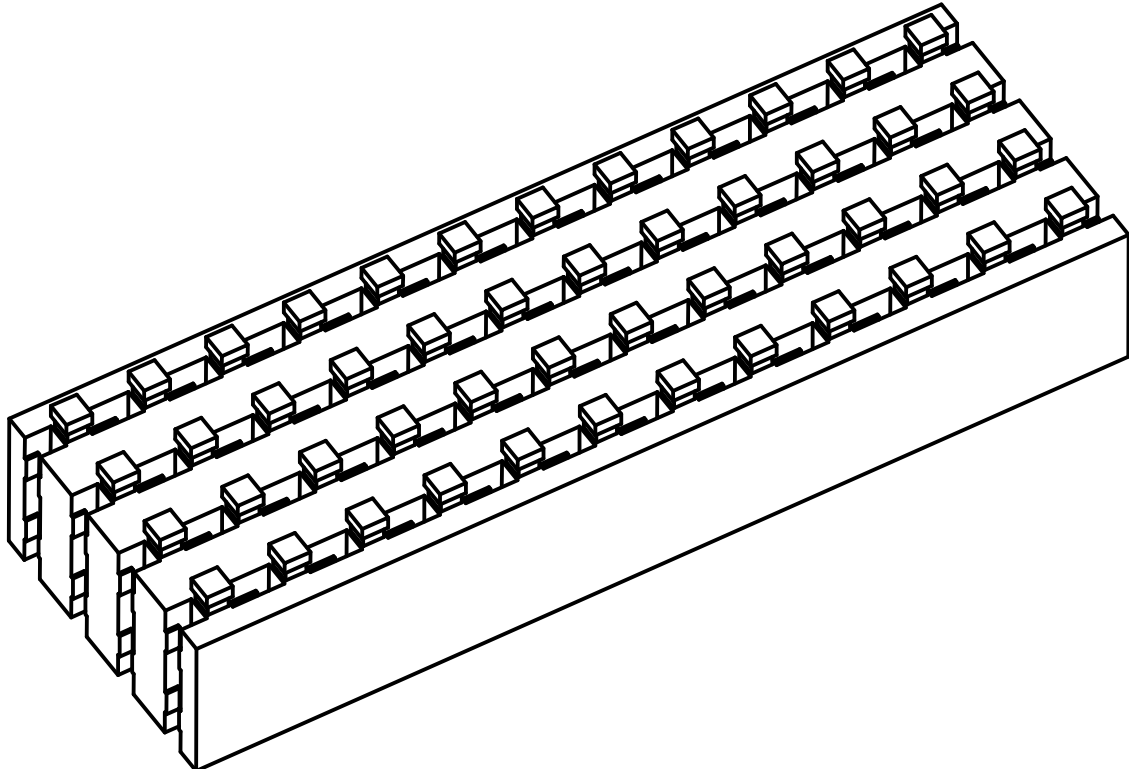
7.ipt

4

3

2

1



4

3

2

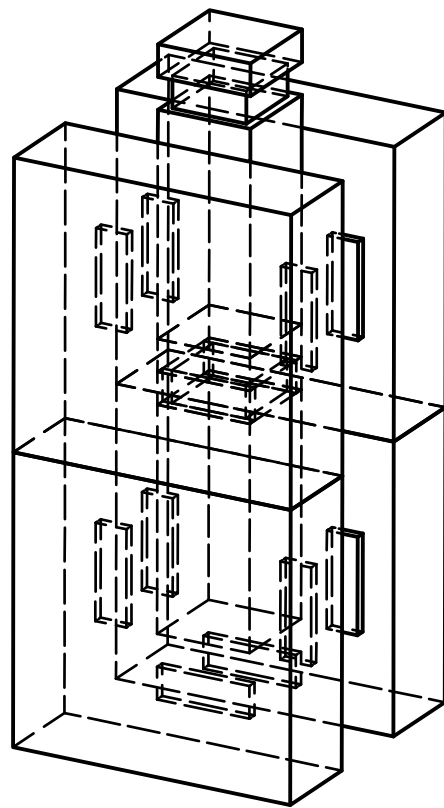
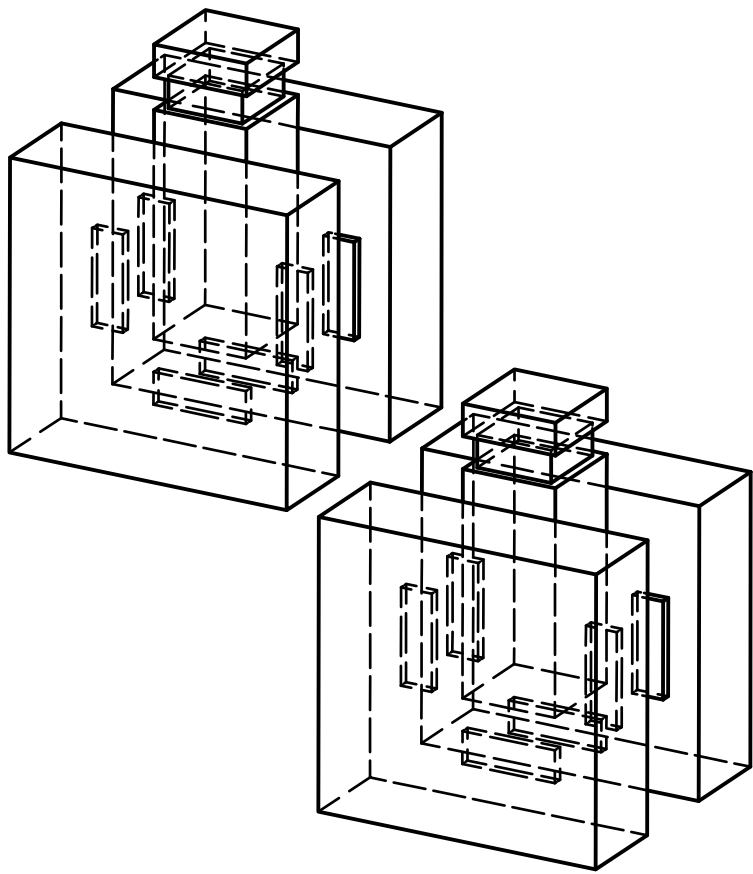
1

B

B

A

A



4

3

2

1

4

3

2

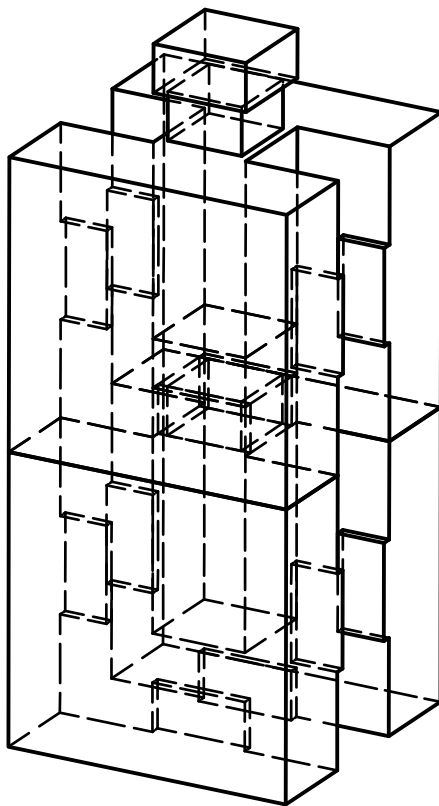
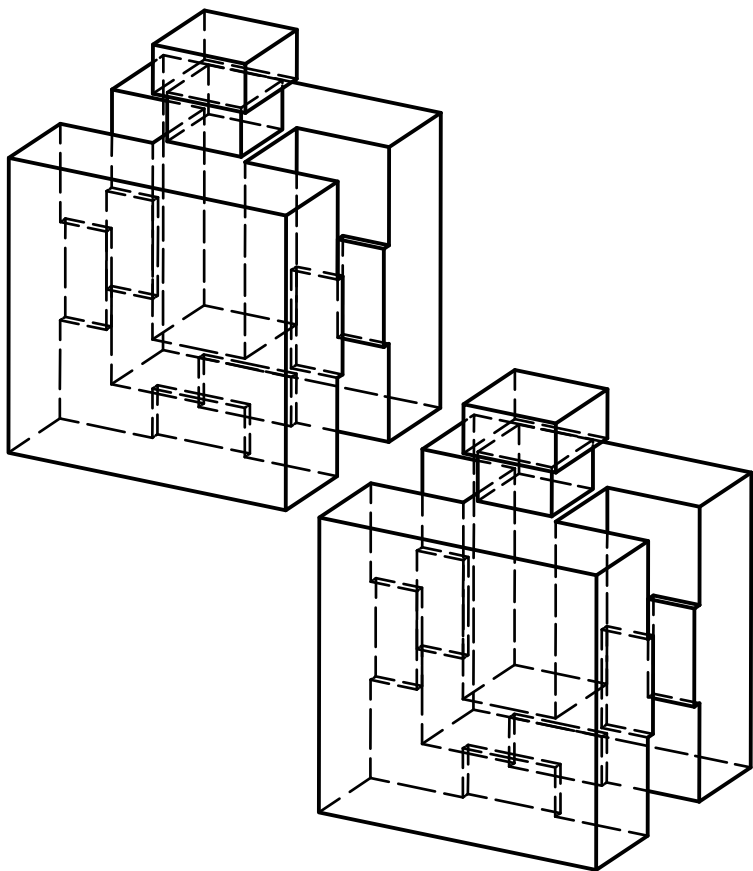
1

B

B

A

A



9.iam

4

3

2

1

4

3

2

1

B

B

A

A



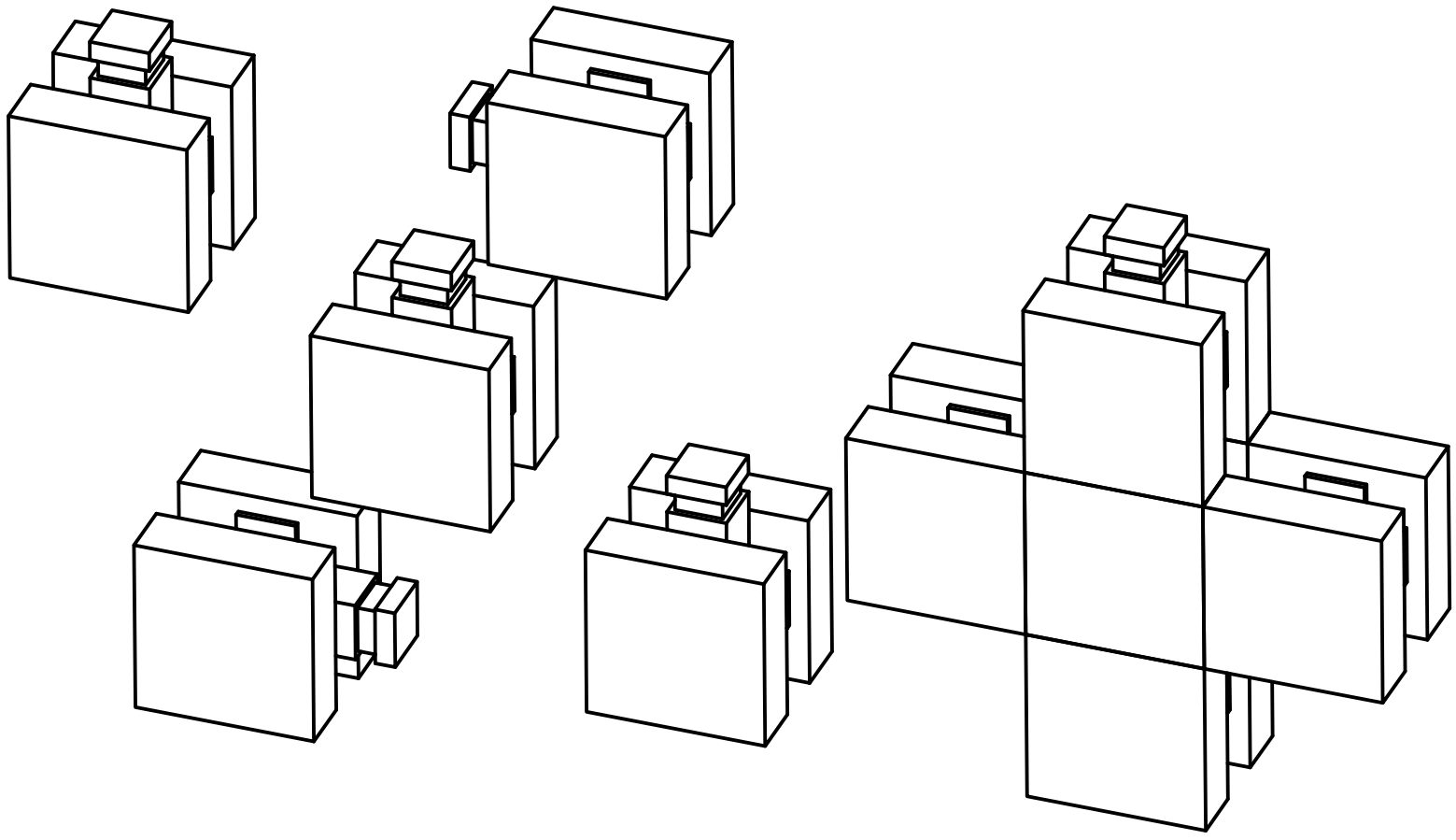
4

3

2

1

10.iam



4

3

2

1

B

B



A

A



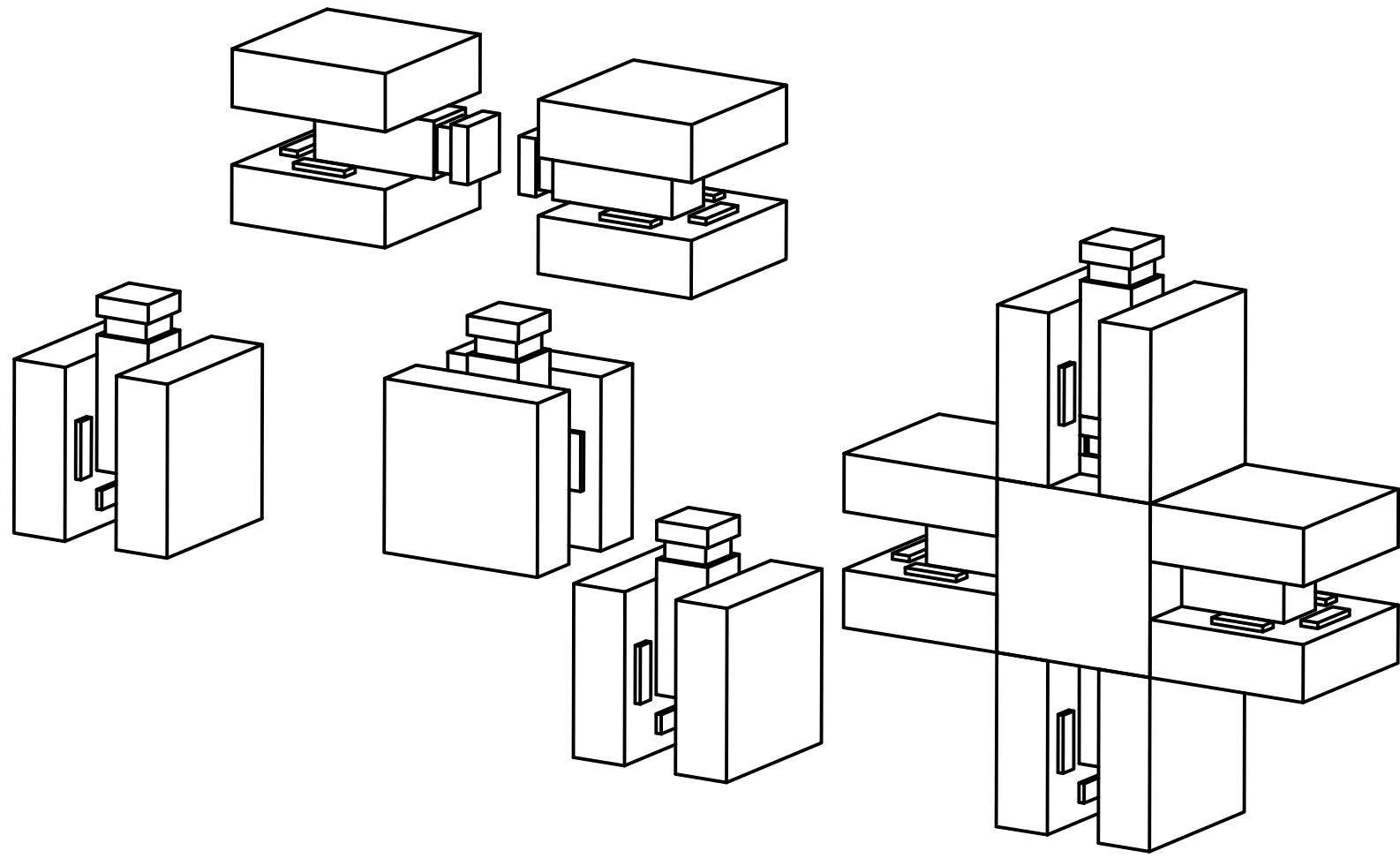
4

3

2

1

11.iam



4

3

2

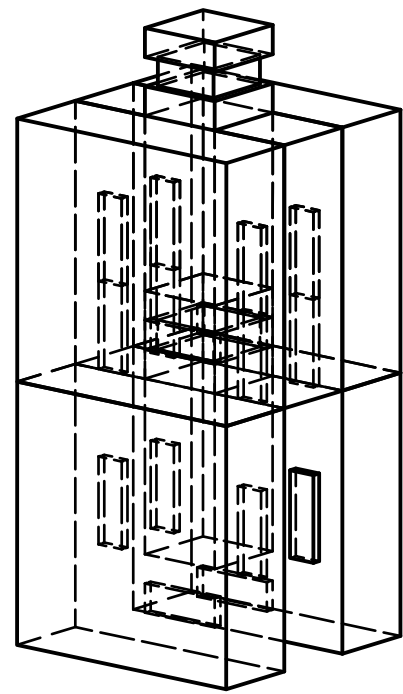
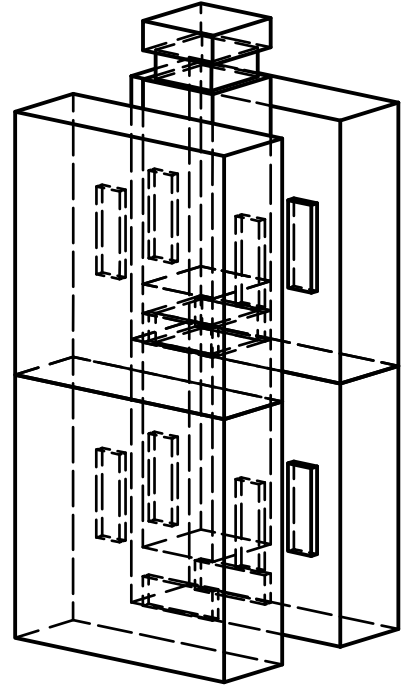
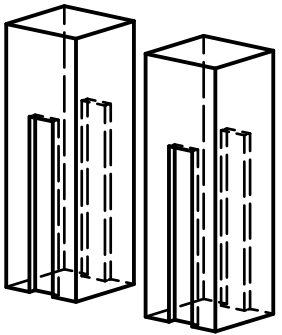
1

B

B

A

A



12.iam

4

3

2

1

4

3

2

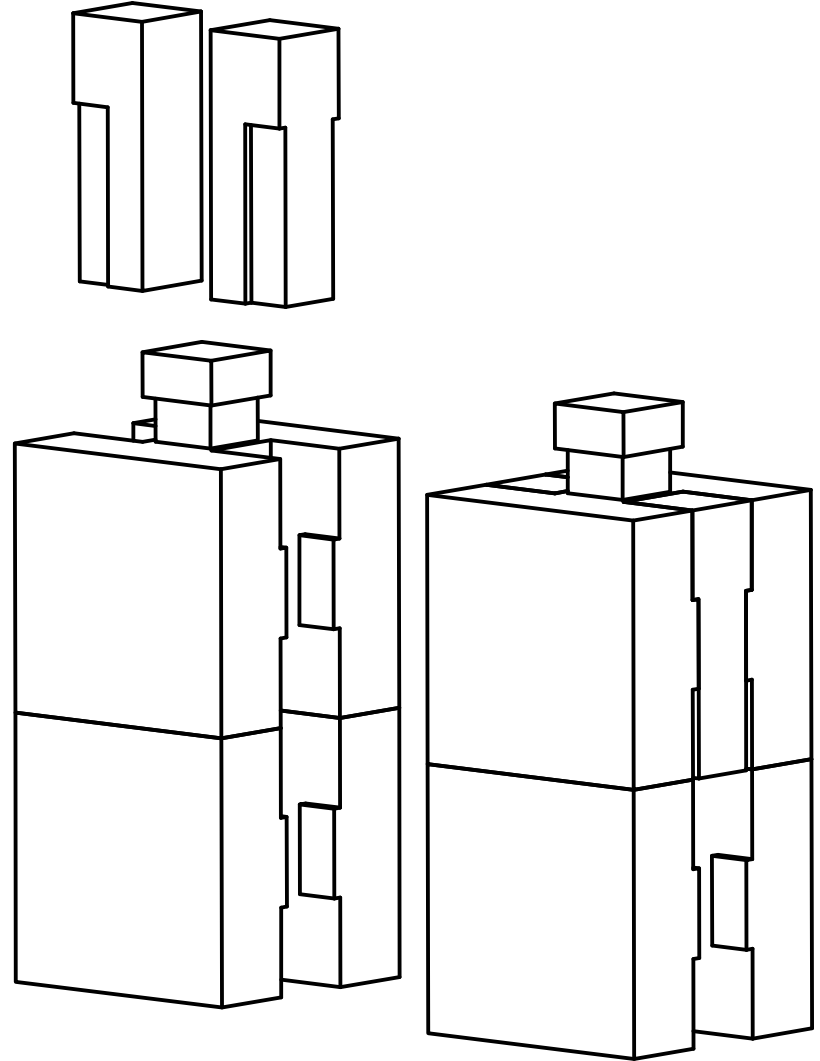
1

B

B

A

A



13.iam

4

3

2

1

4

3

2

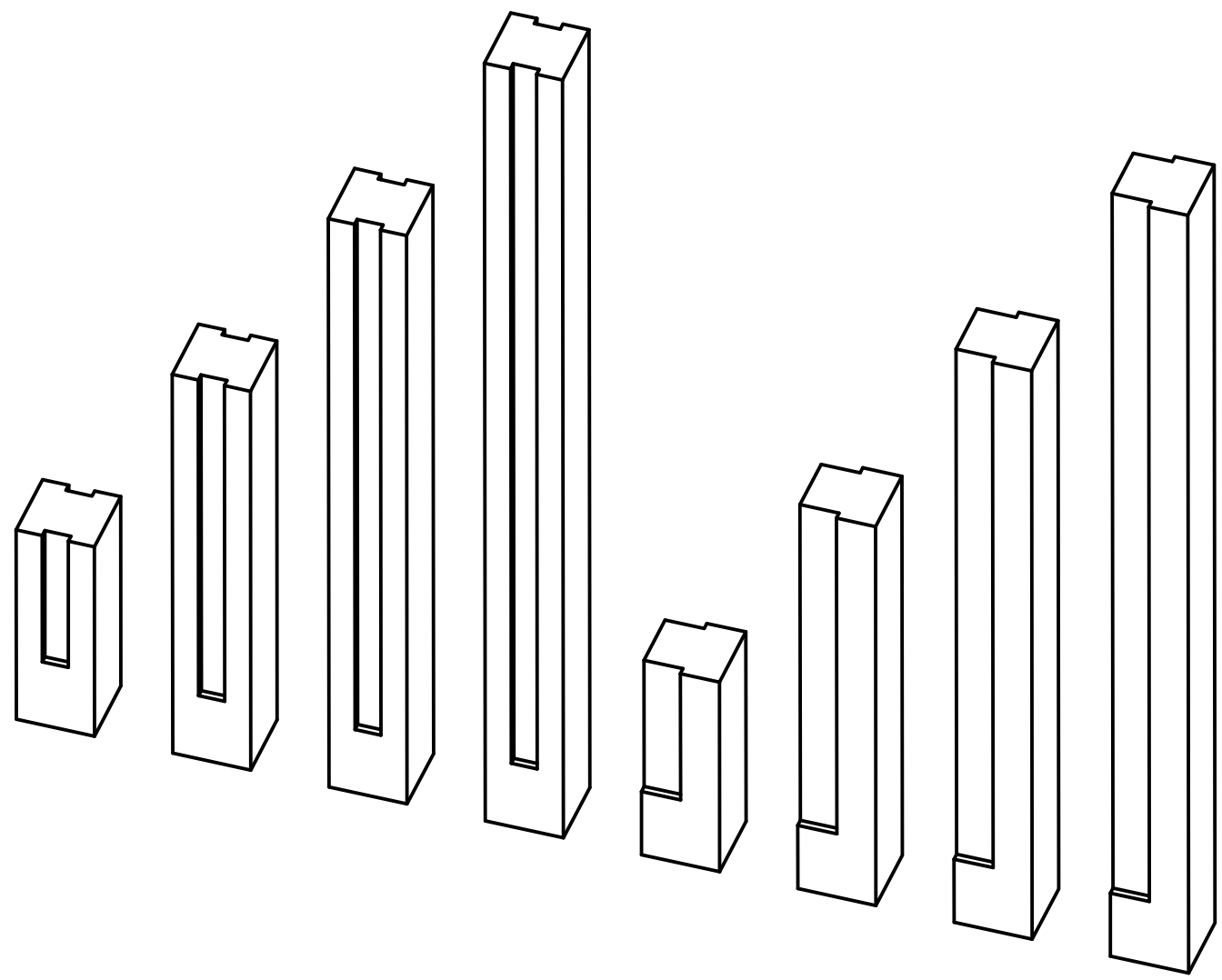
1

B

B

A

A



14.iam

4

3

2

1

4

3

2

1

B

B

A

A



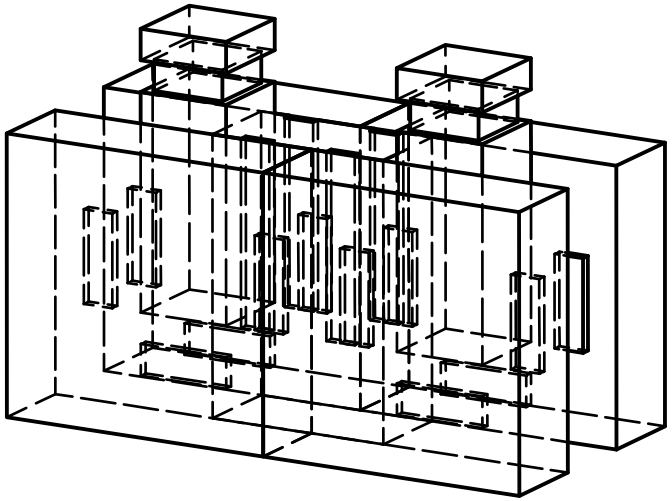
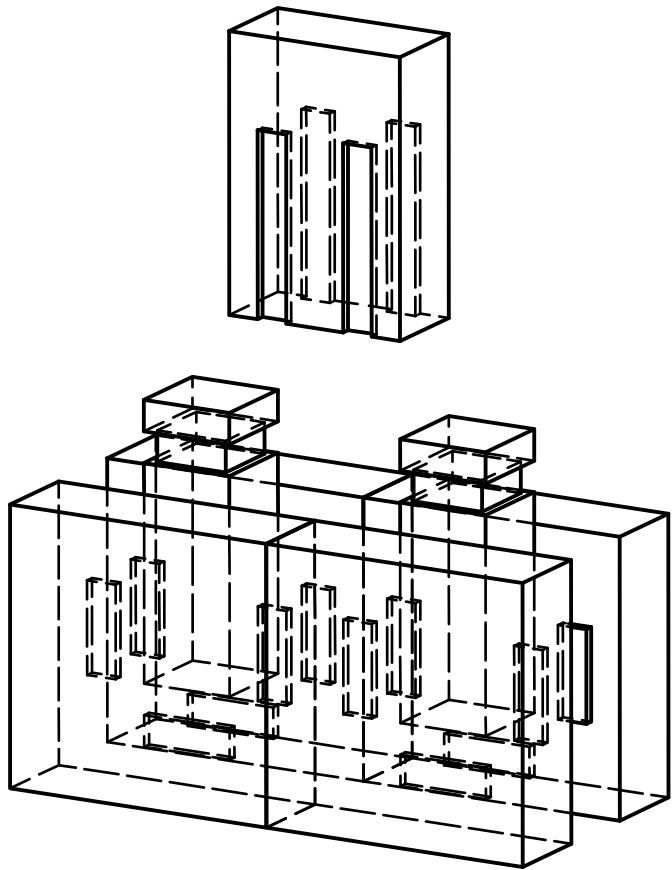
15.iam

4

3

2

1



4

3

2

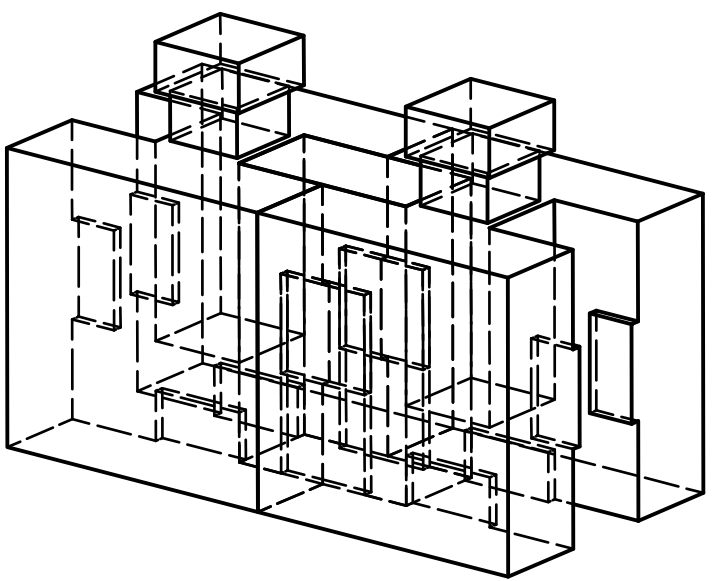
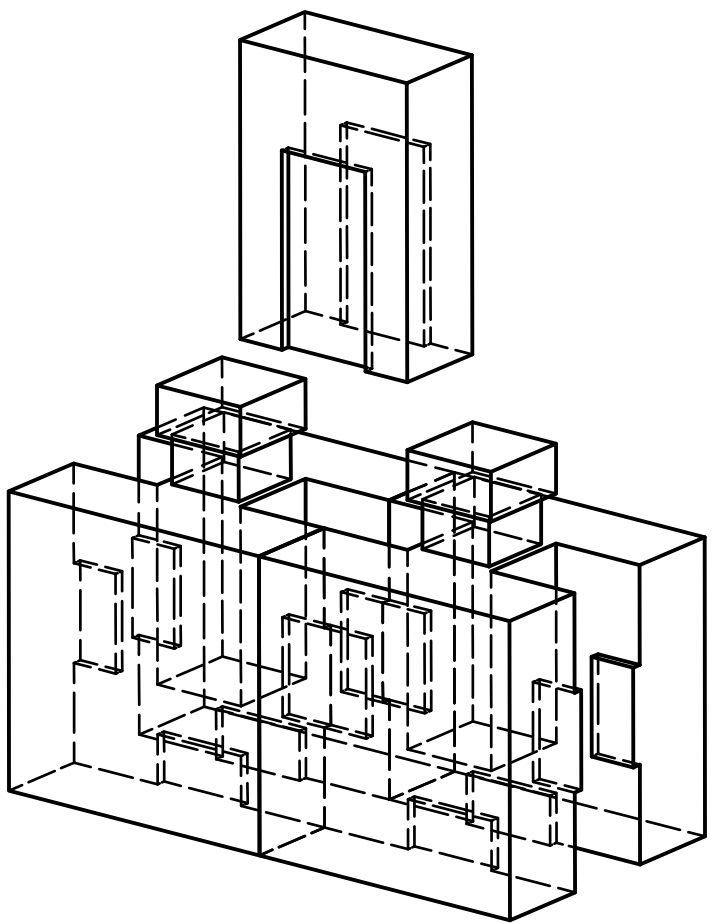
1

B

B

A

A



16.iam

4

3

2

1

4

3

2

1

B

B

A

A

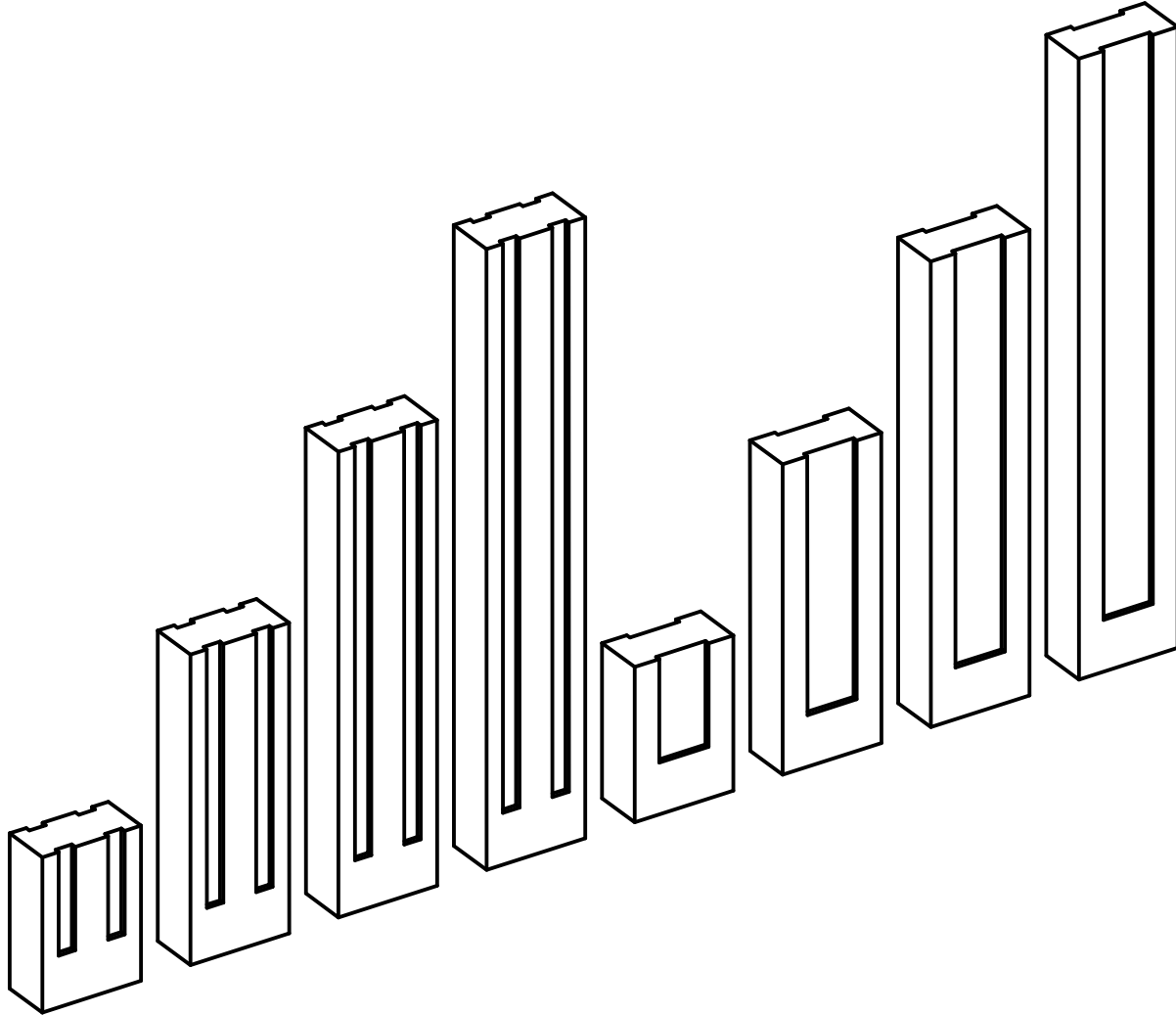
17.iam

4

3

2

1



4

3

2

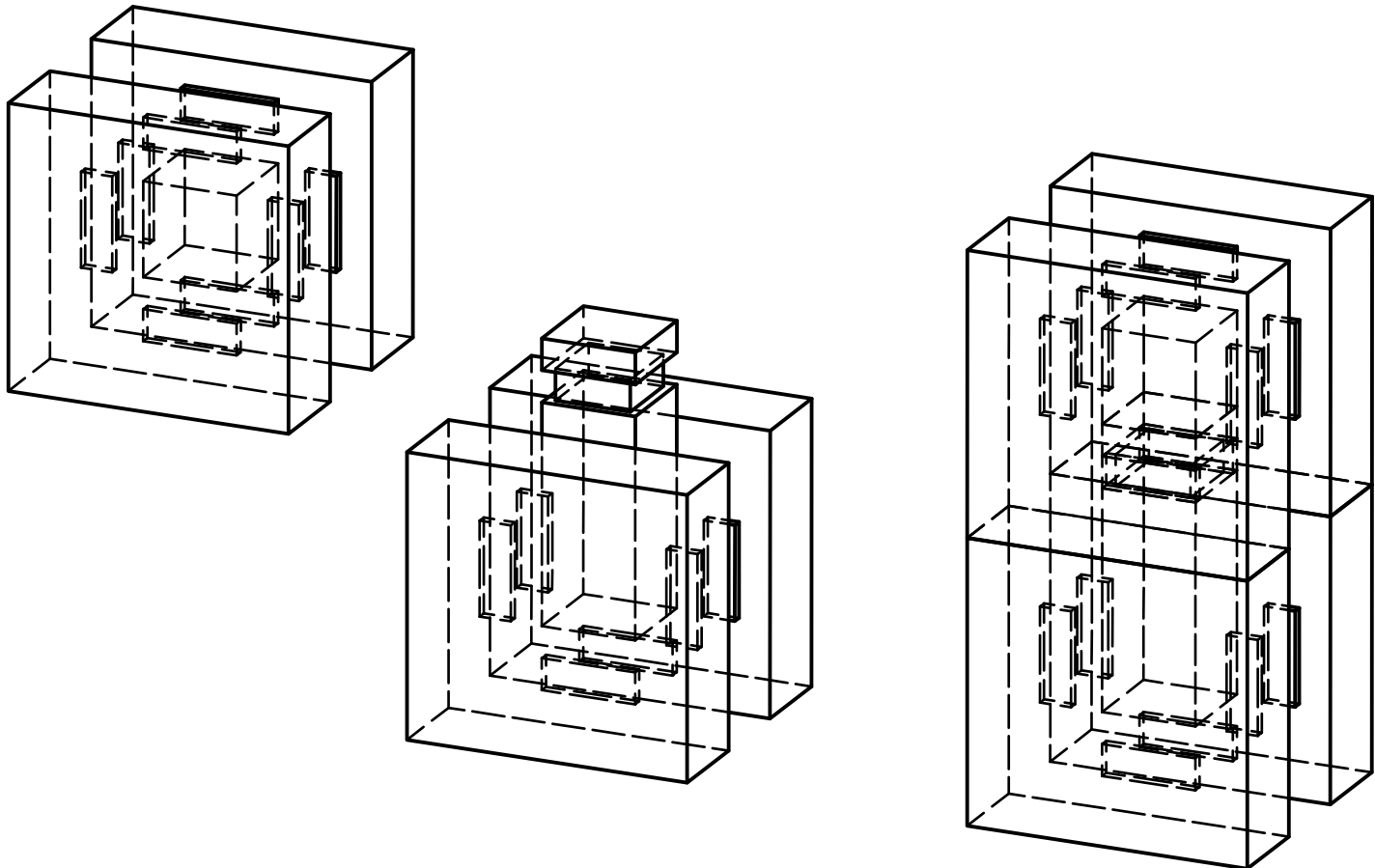
1

B

B

A

A



18.iam

4

3

2

1

4

3

2

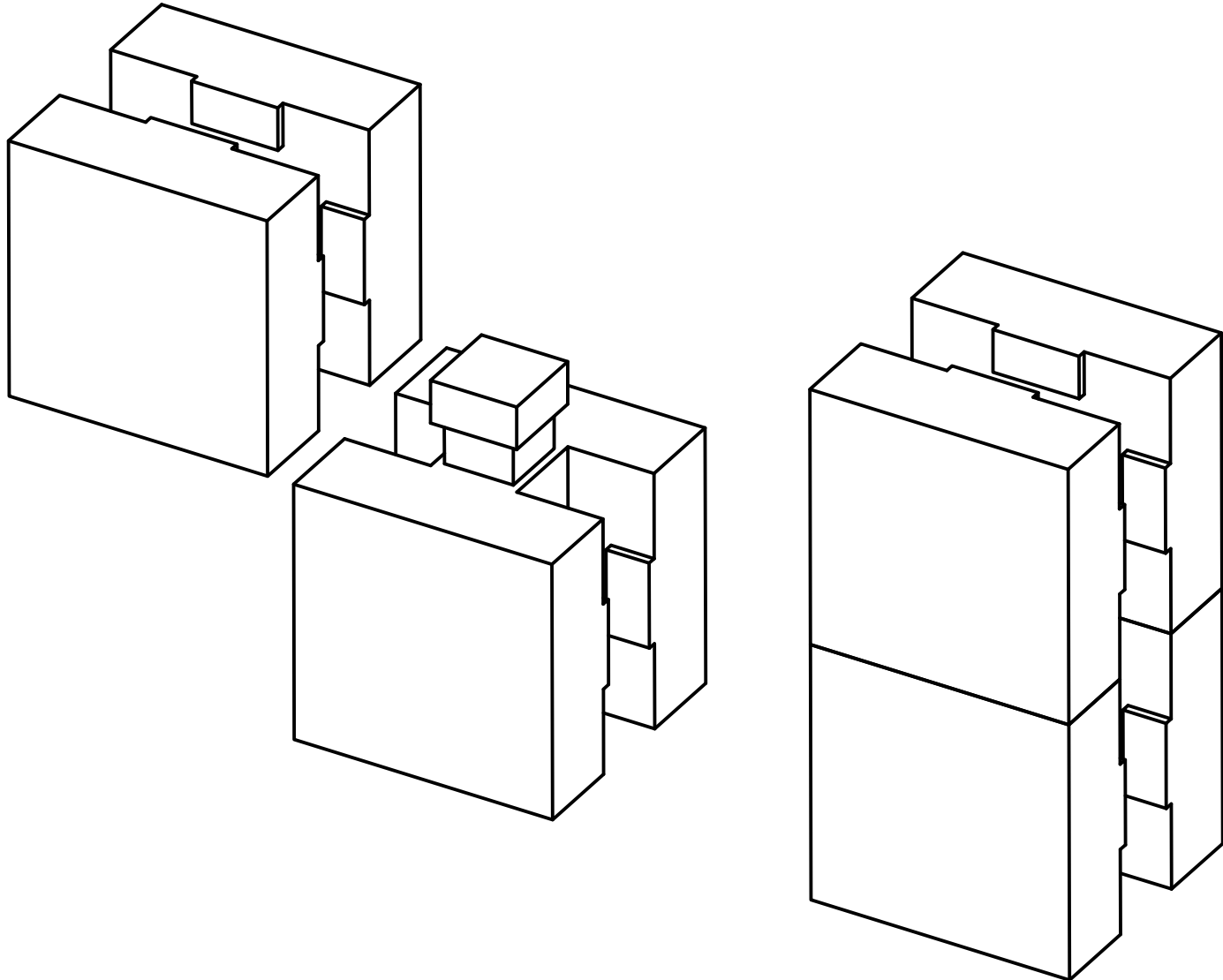
1

B

B

A

A



4

3

2

1

B

B

A

A

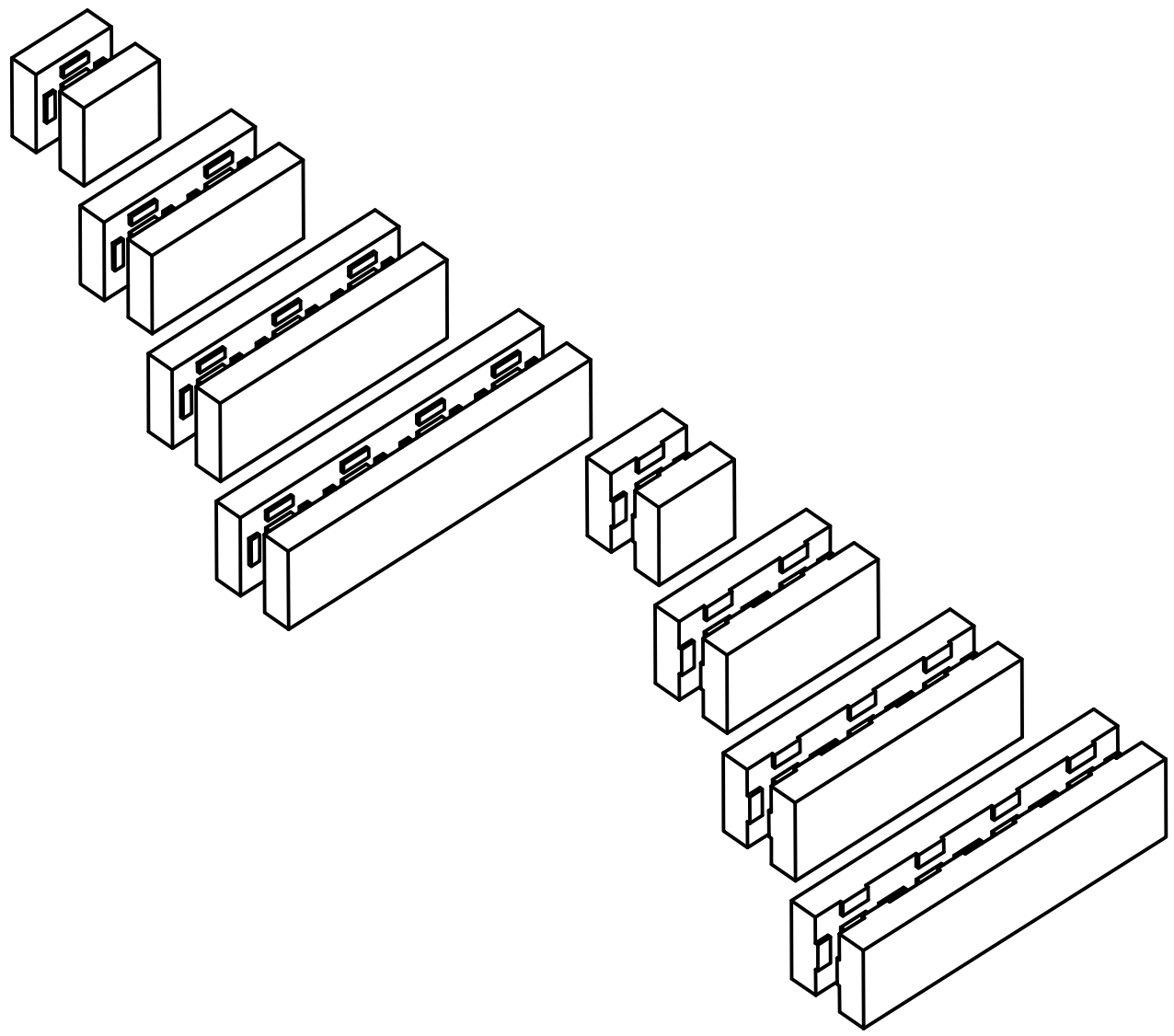
20.iam

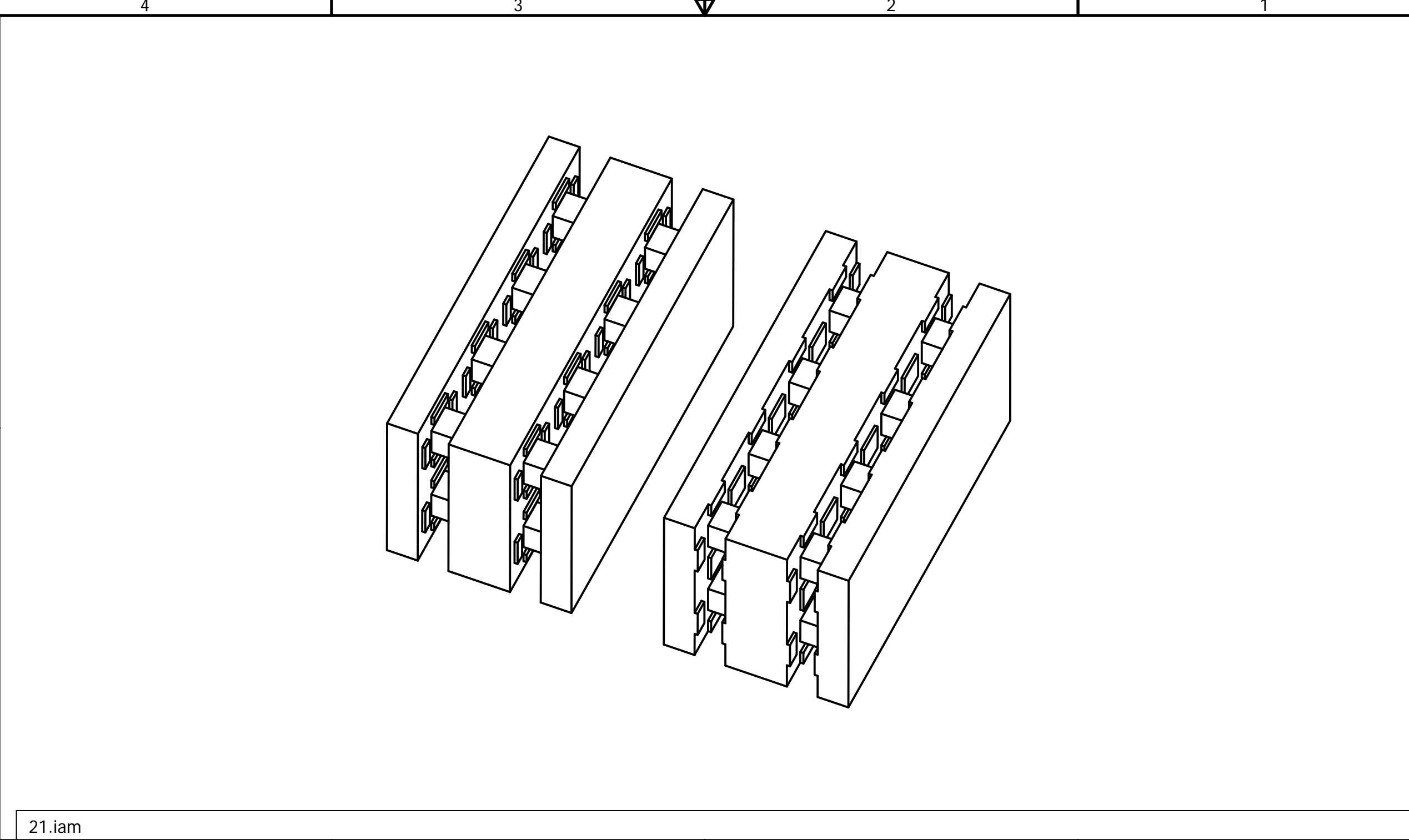
4

3

2

1





4

3

2

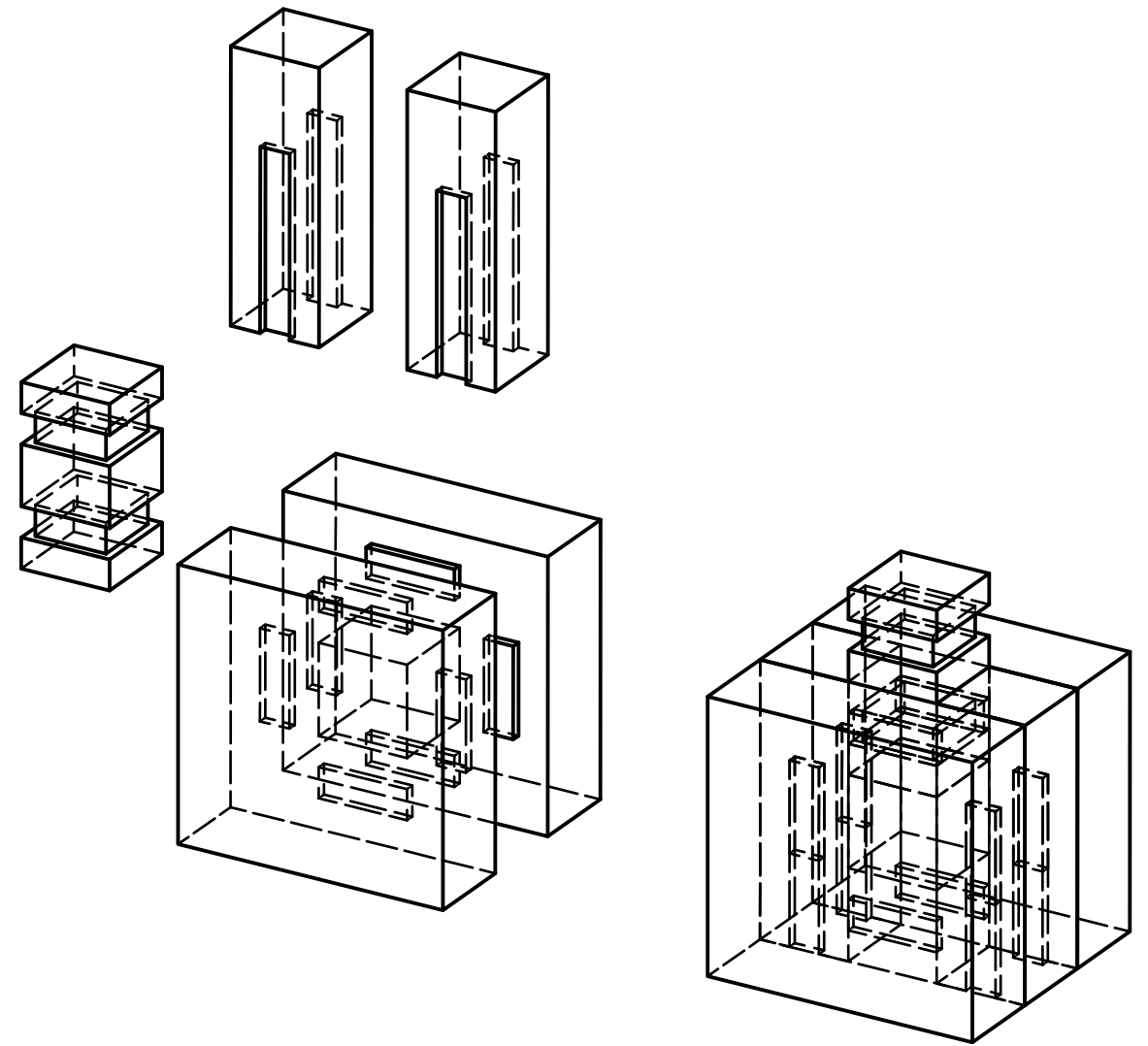
1

B

B

A

A



4

3

2

1

4

3

2

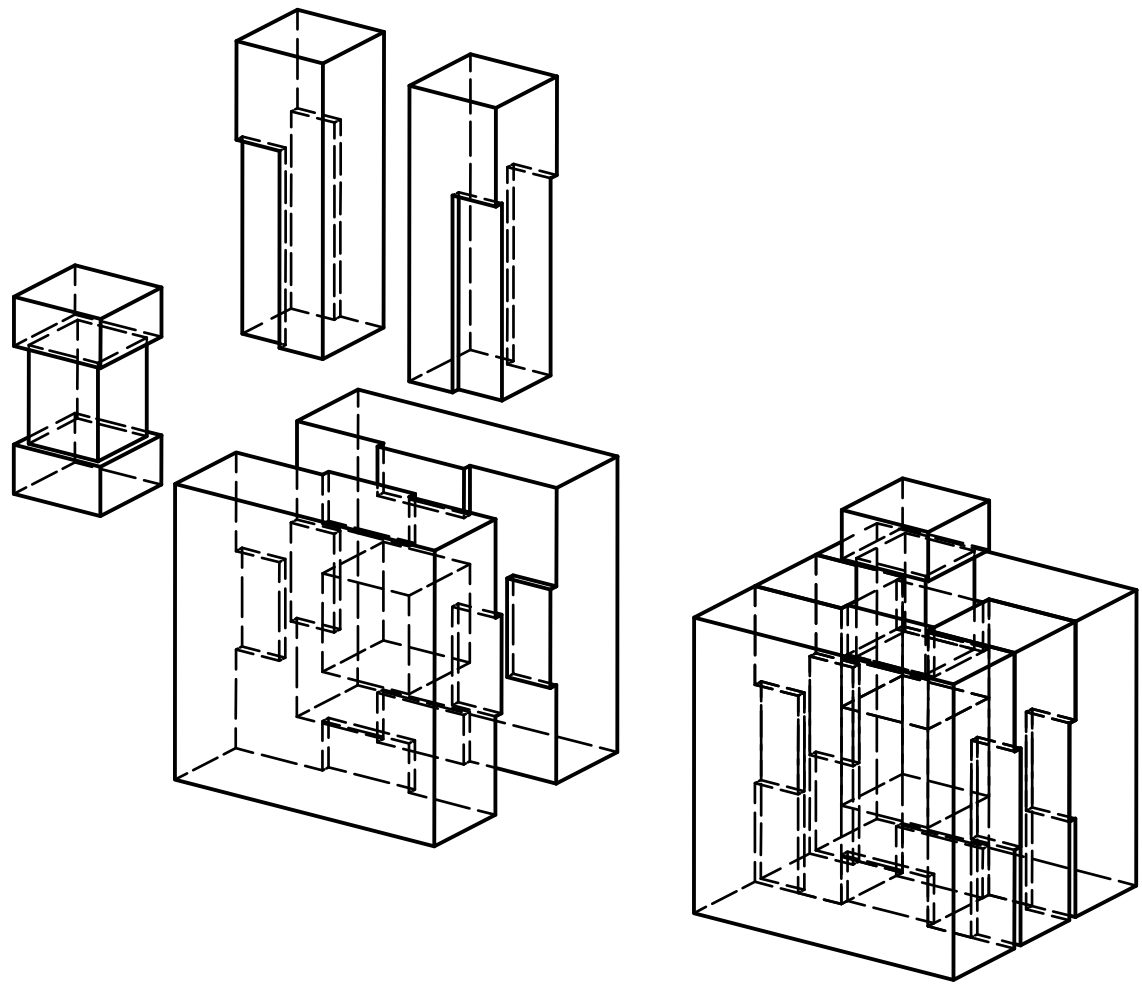
1

B

B

A

A



4

3

2

1

4

3

2

1

B

B

A

A

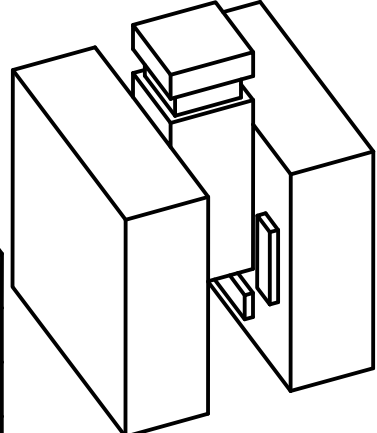
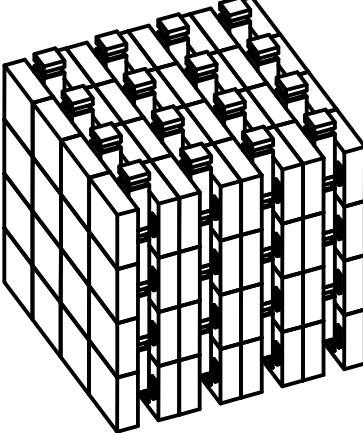
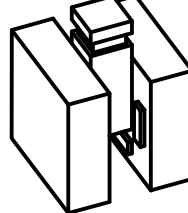
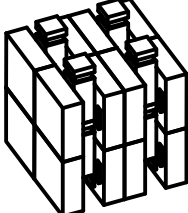
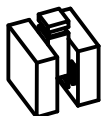
24.iam

4

3

2

1



4

3

2

1

B

B

A

A



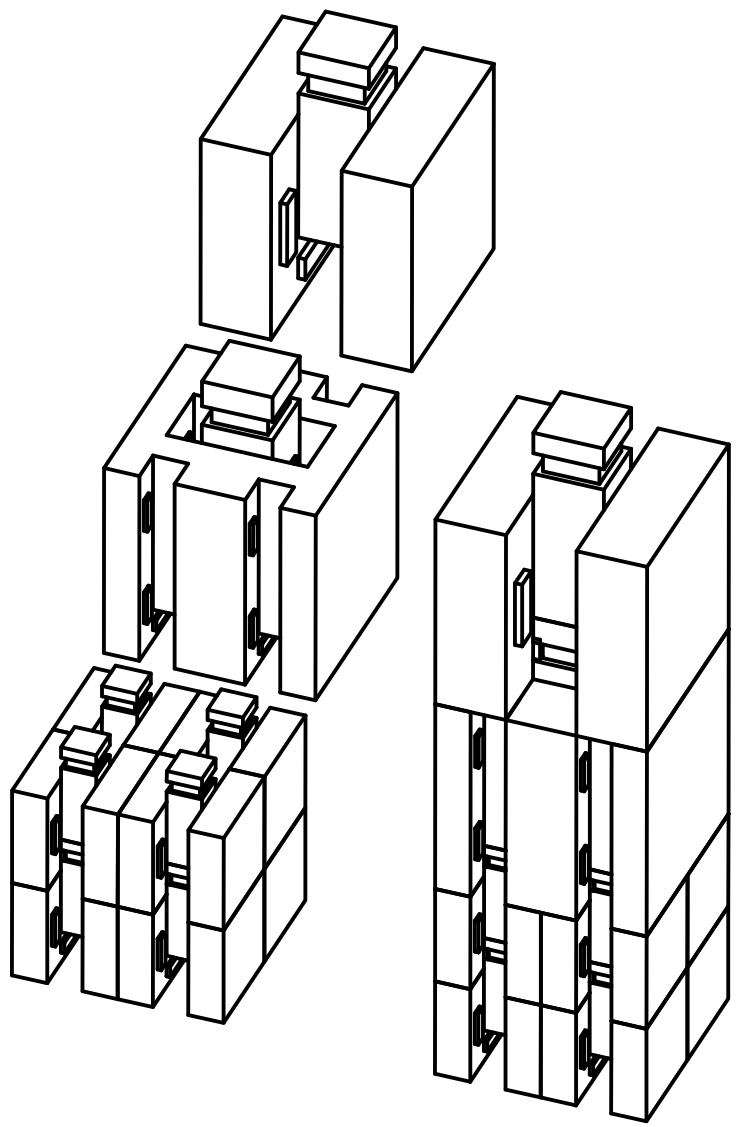
4

3

2

1

25.iam



4

3



2

1

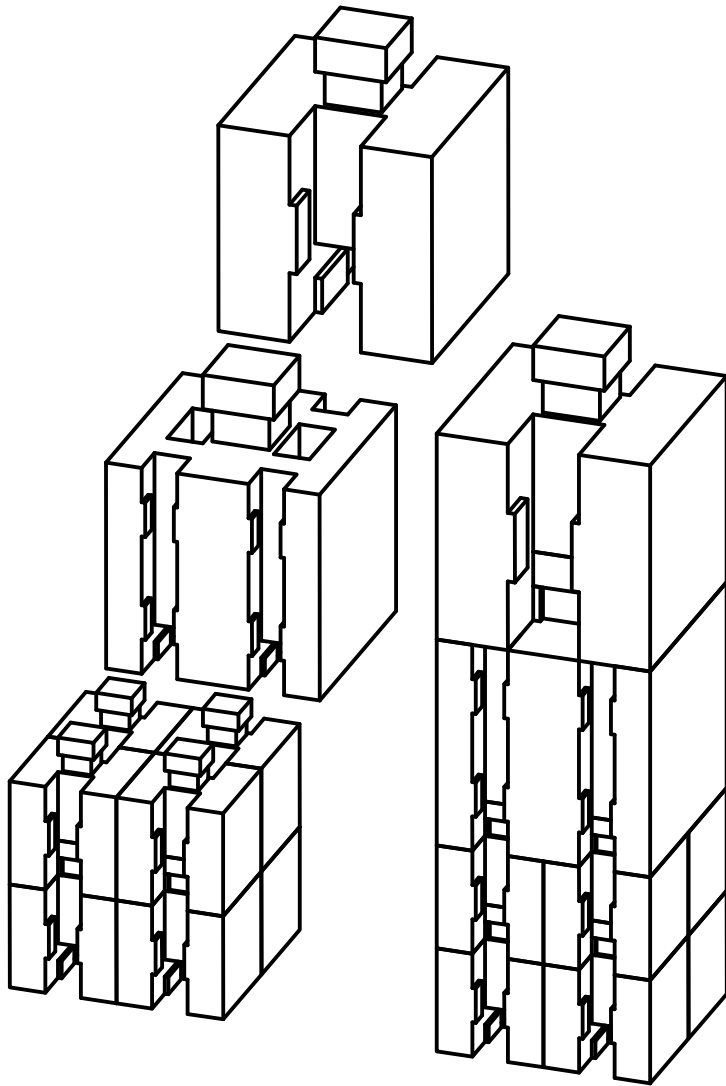
B

B



A

A



26.iam

4

3



2

1

4

3

2

1

B

B

A

A

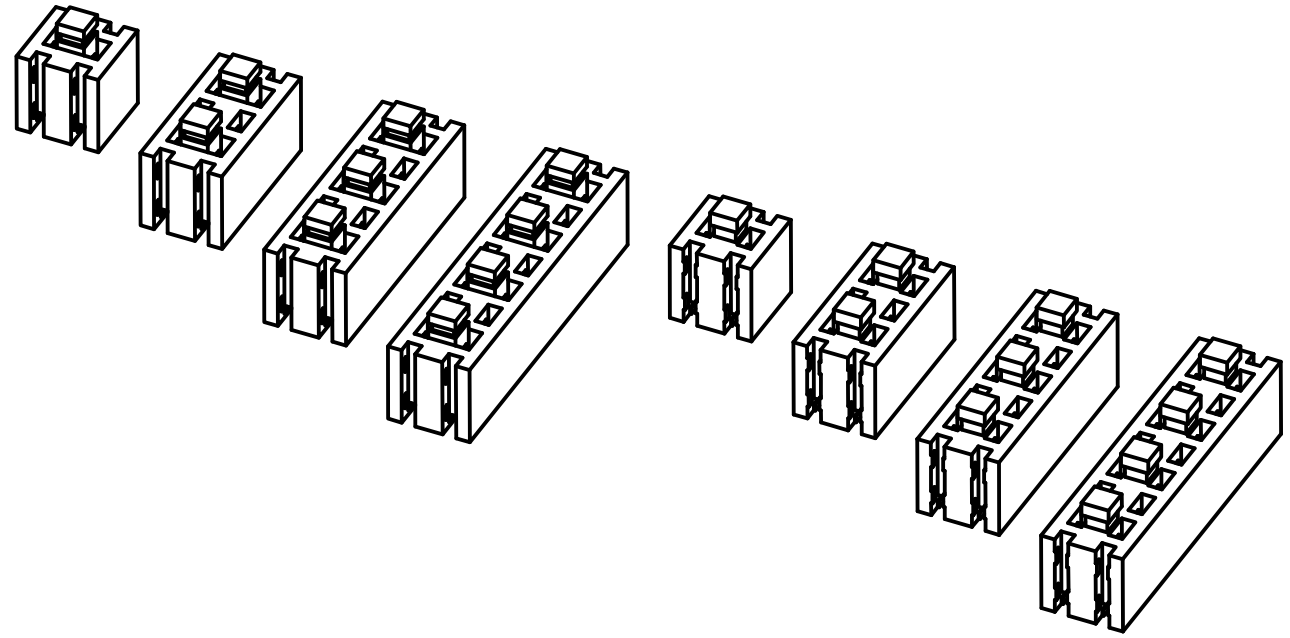
27.iam

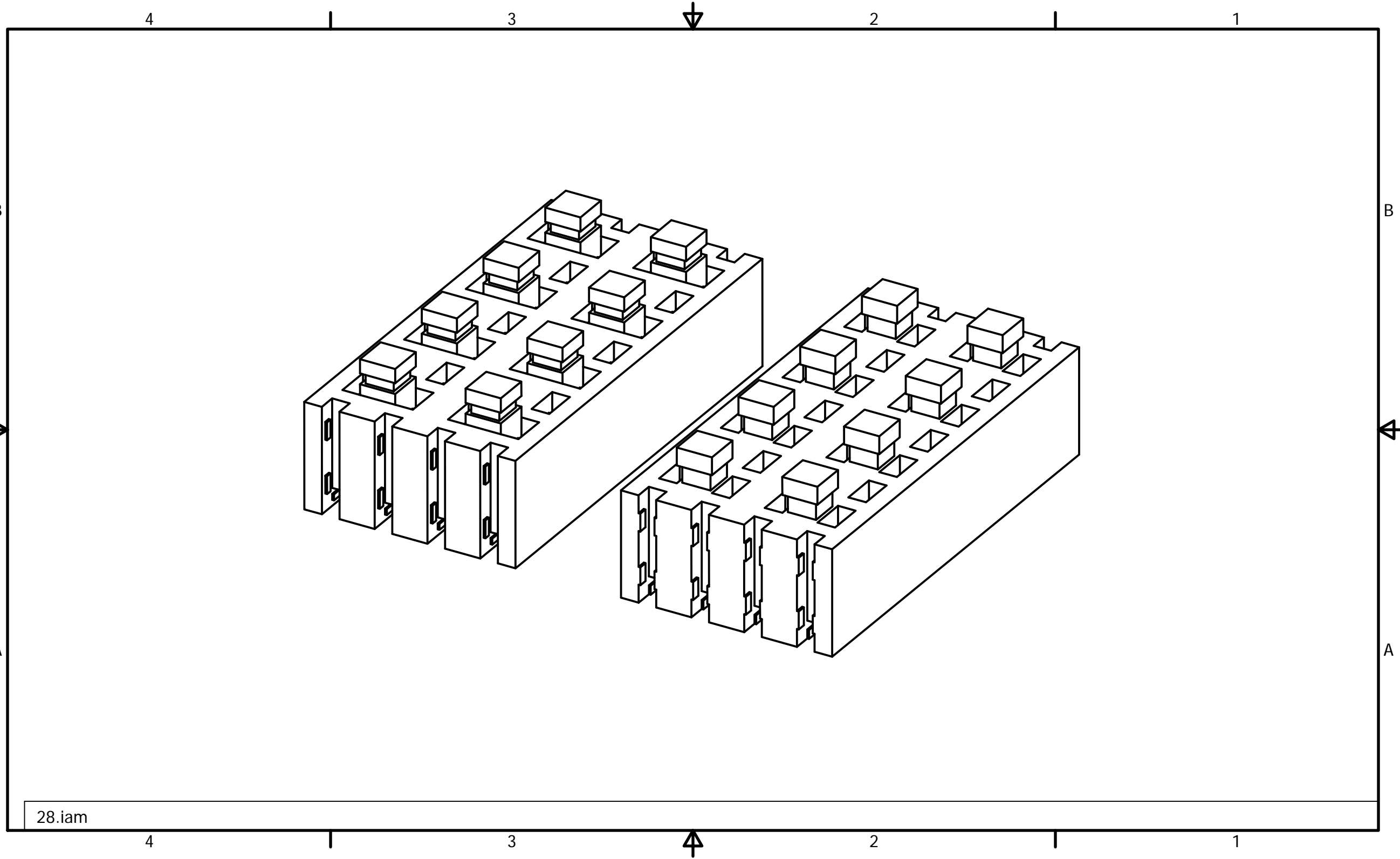
4

3

2

1





28.iam

4

3

2

1

B

B

A

A



29.iam

4

3

2

1

4

3

2

1

B

B

A

A

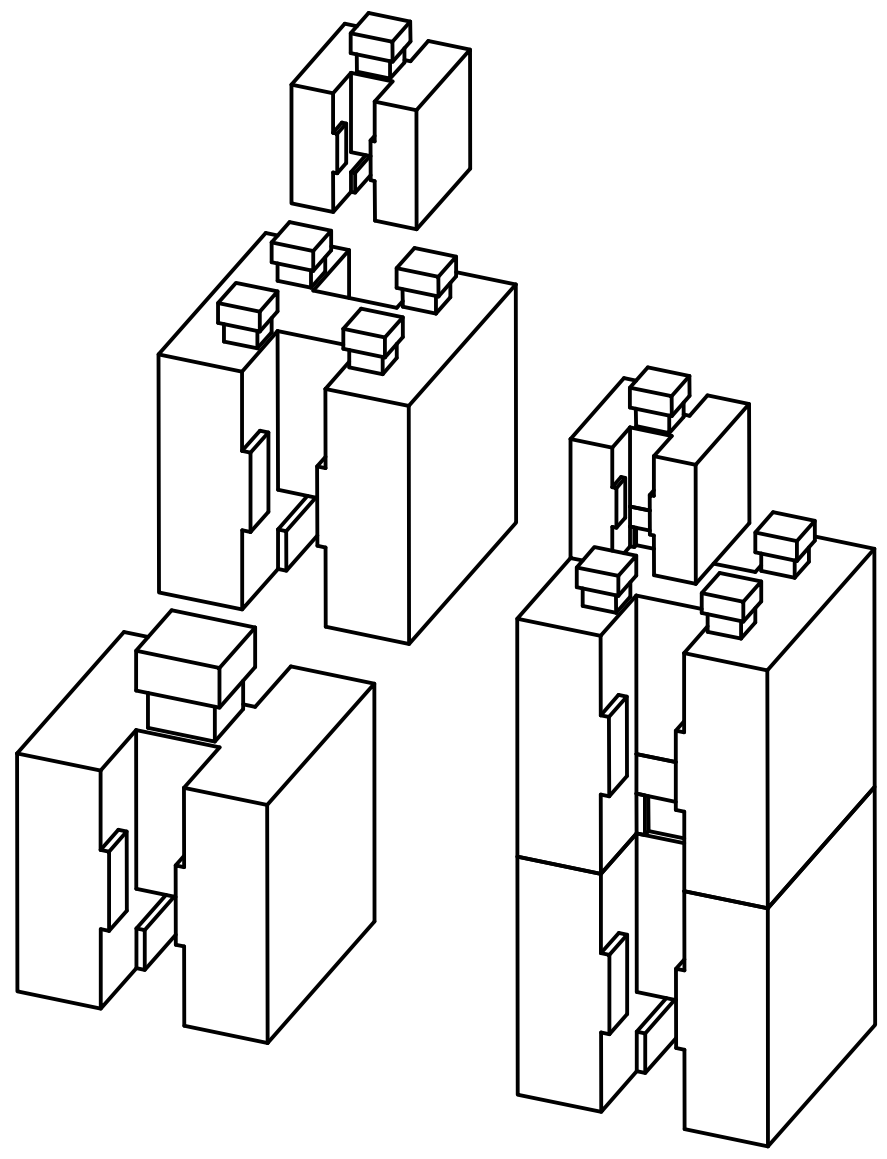
30.iam

4

3

2

1



4

3

2

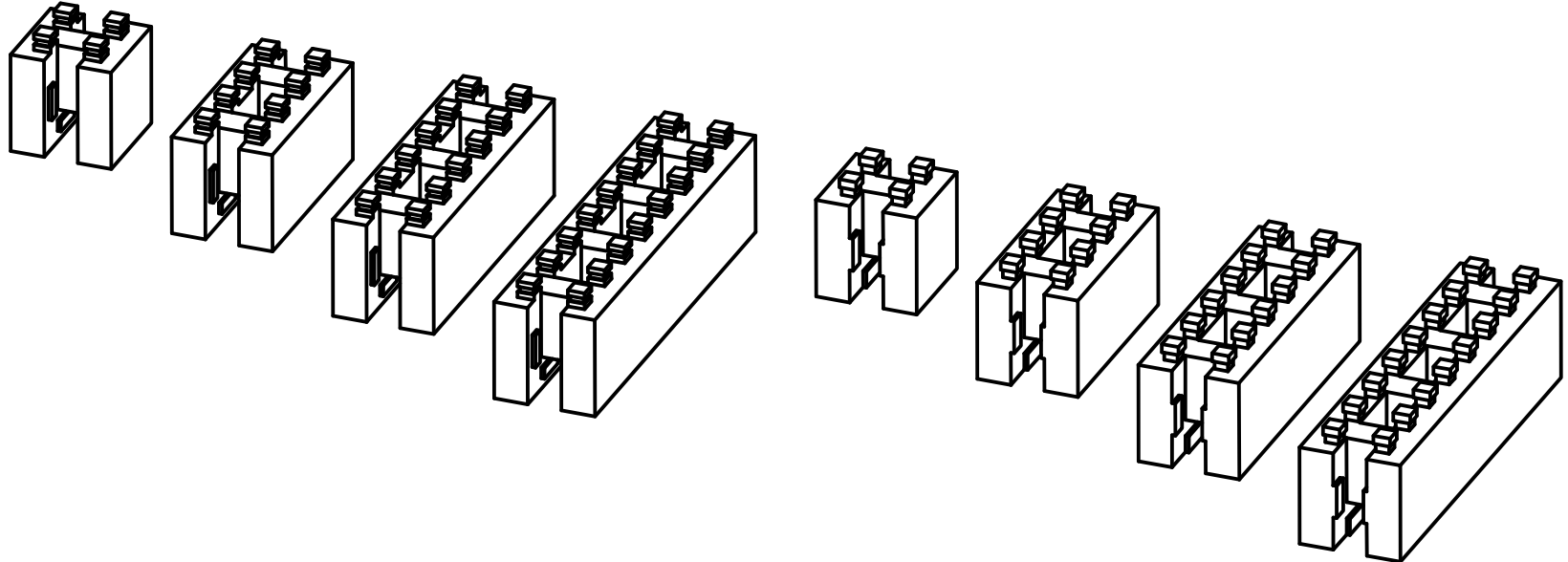
1

B

B

A

A



31.iam

4

3

2

1

4

3

2

1

B

B

A

A

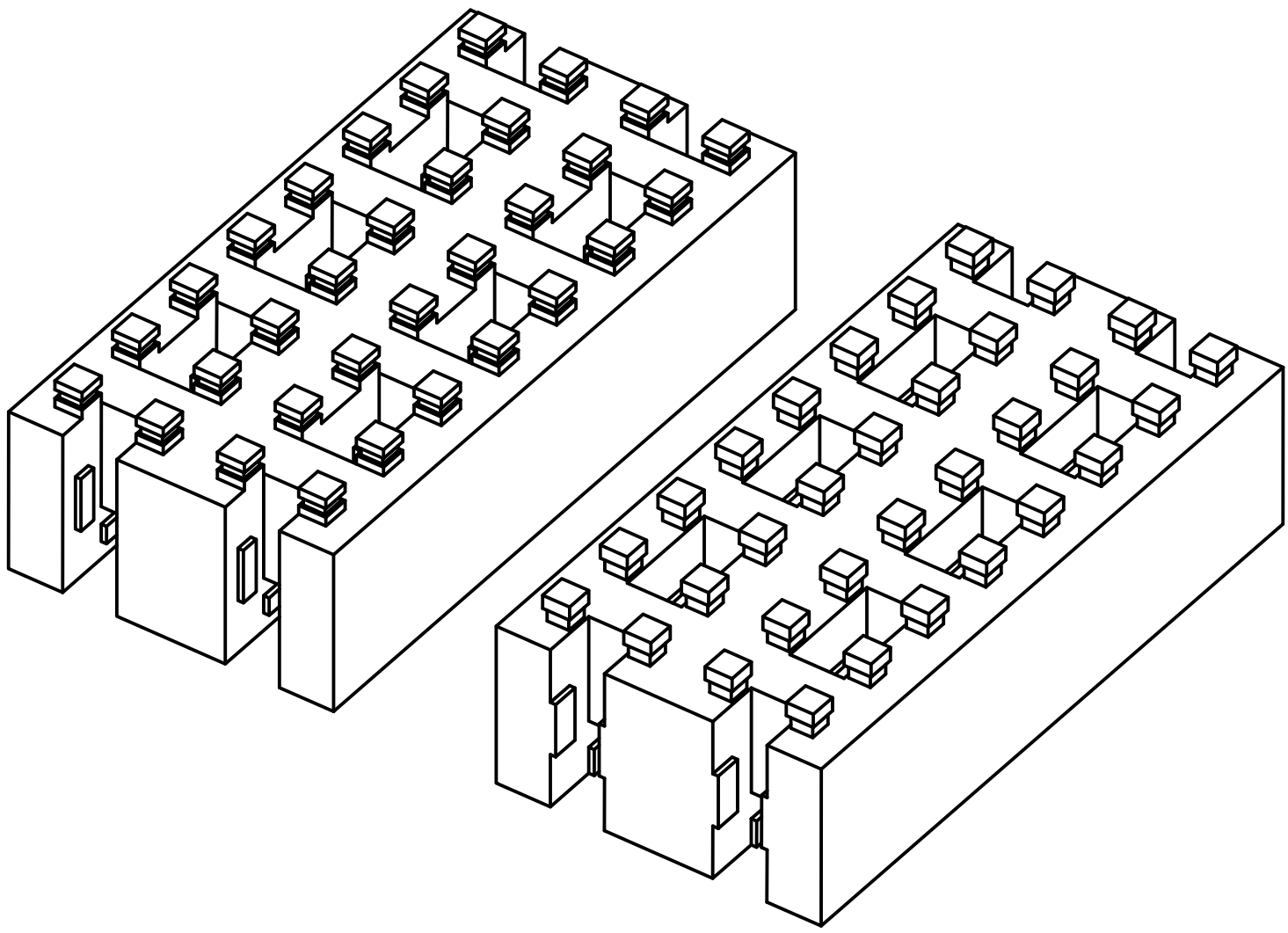
32.i.am

4

3

2

1



4

3

2

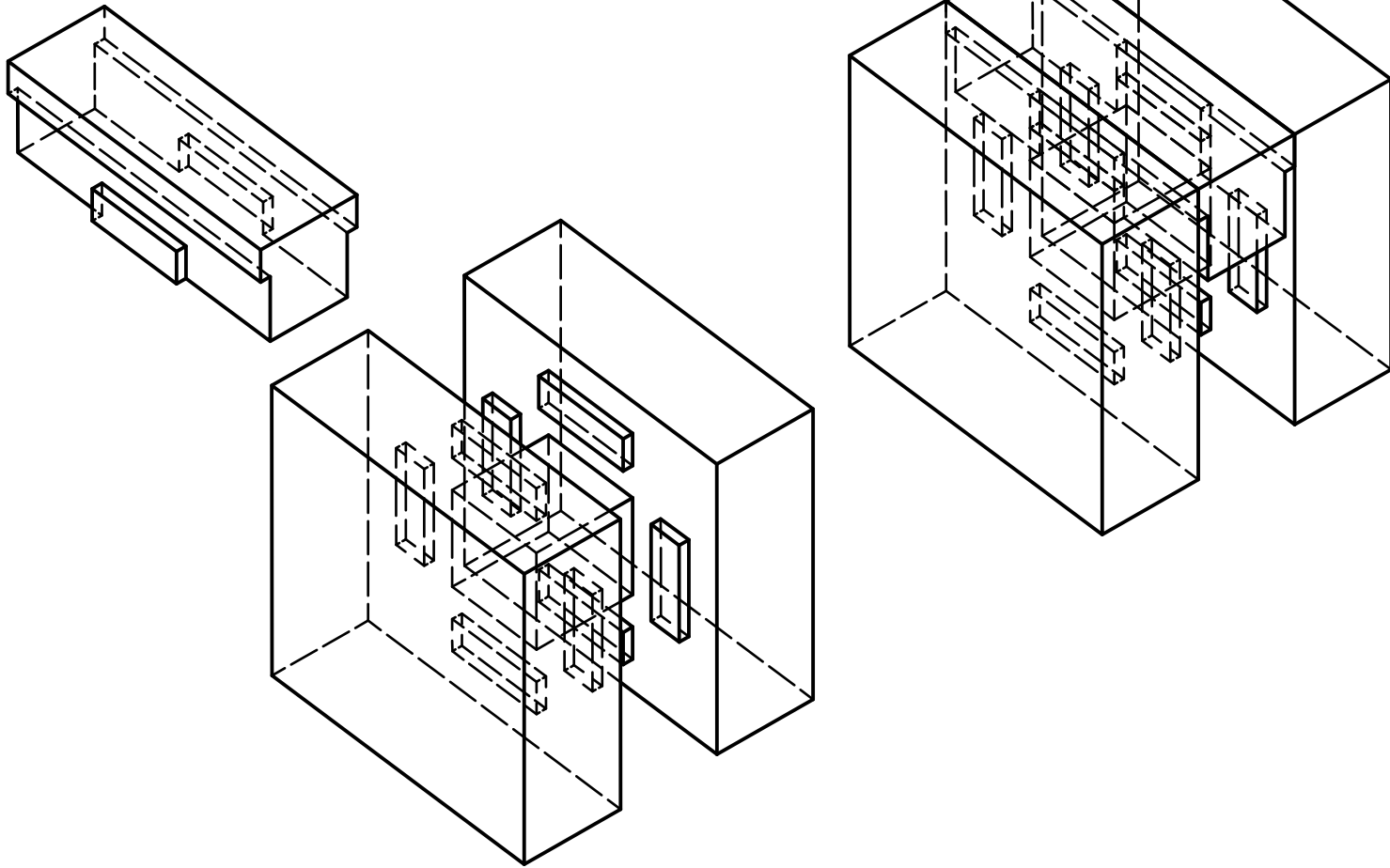
1

B

B

A

A



4

3

2

1

4

3

2

1

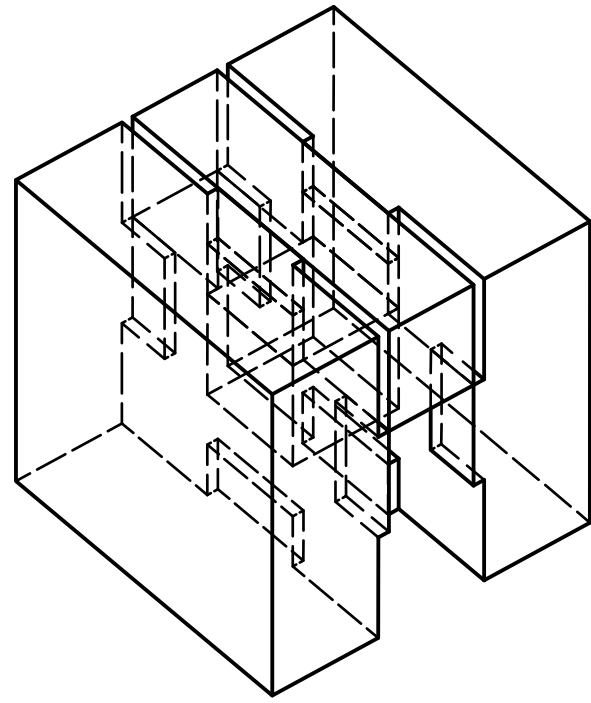
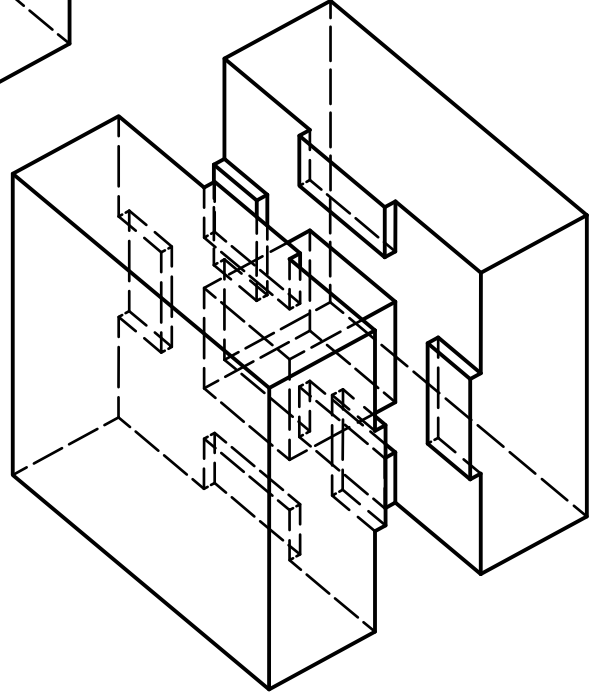
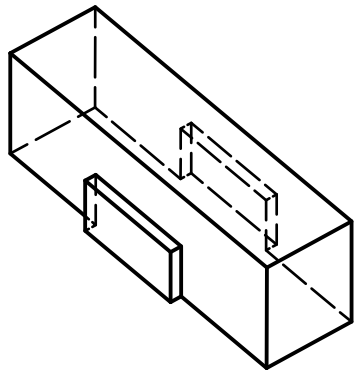
B

B

A

A

34.iam



4

3

2

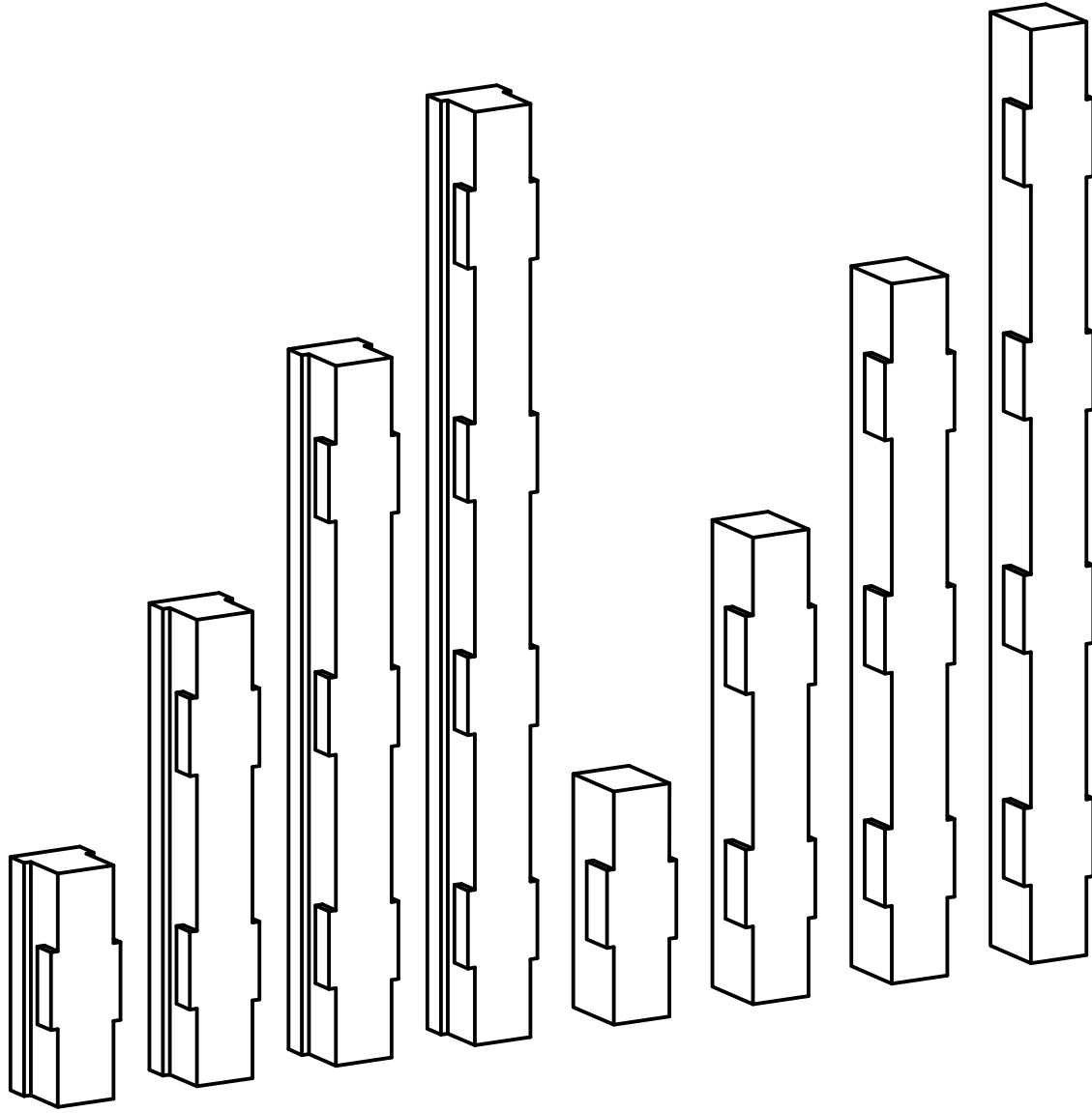
1

B

B

A

A



35.iam

4

3

2

1

4

3

2

1

B

B

A

A

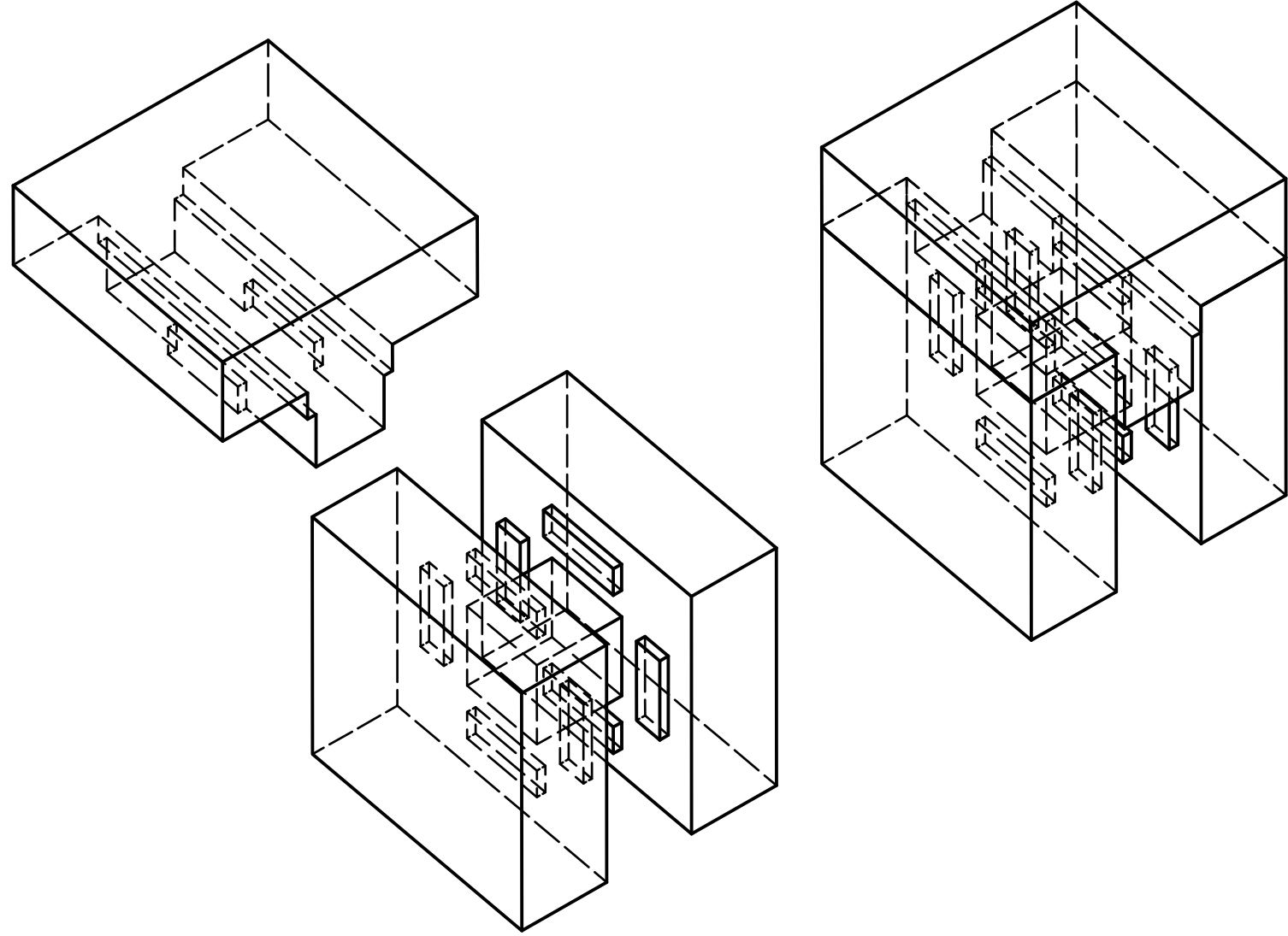
36.iam

4

3

2

1



4

3

2

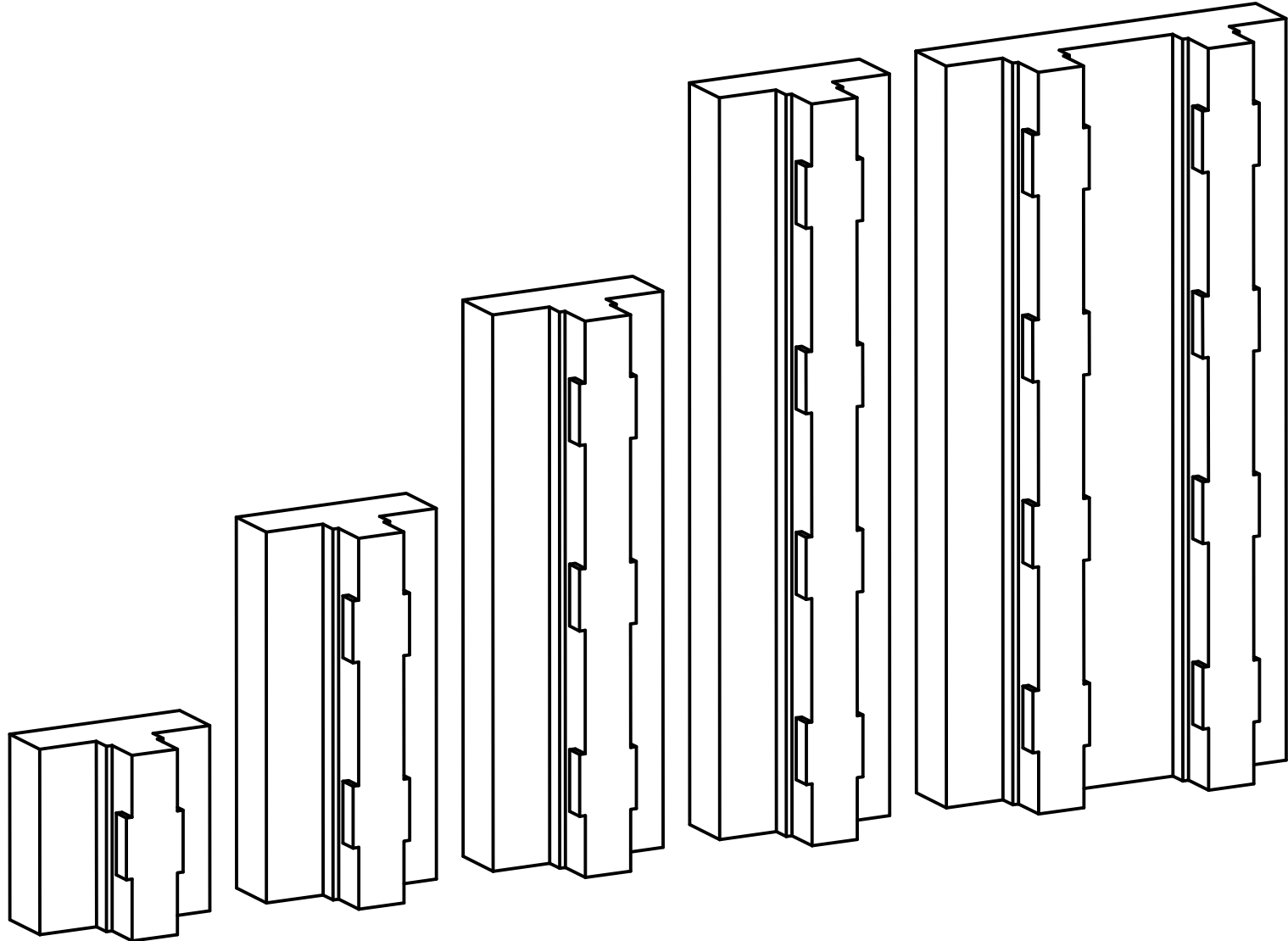
1

B

B

A

A



36_1.iam

4

3

2

1

4

3

2

1

B

B

A

A

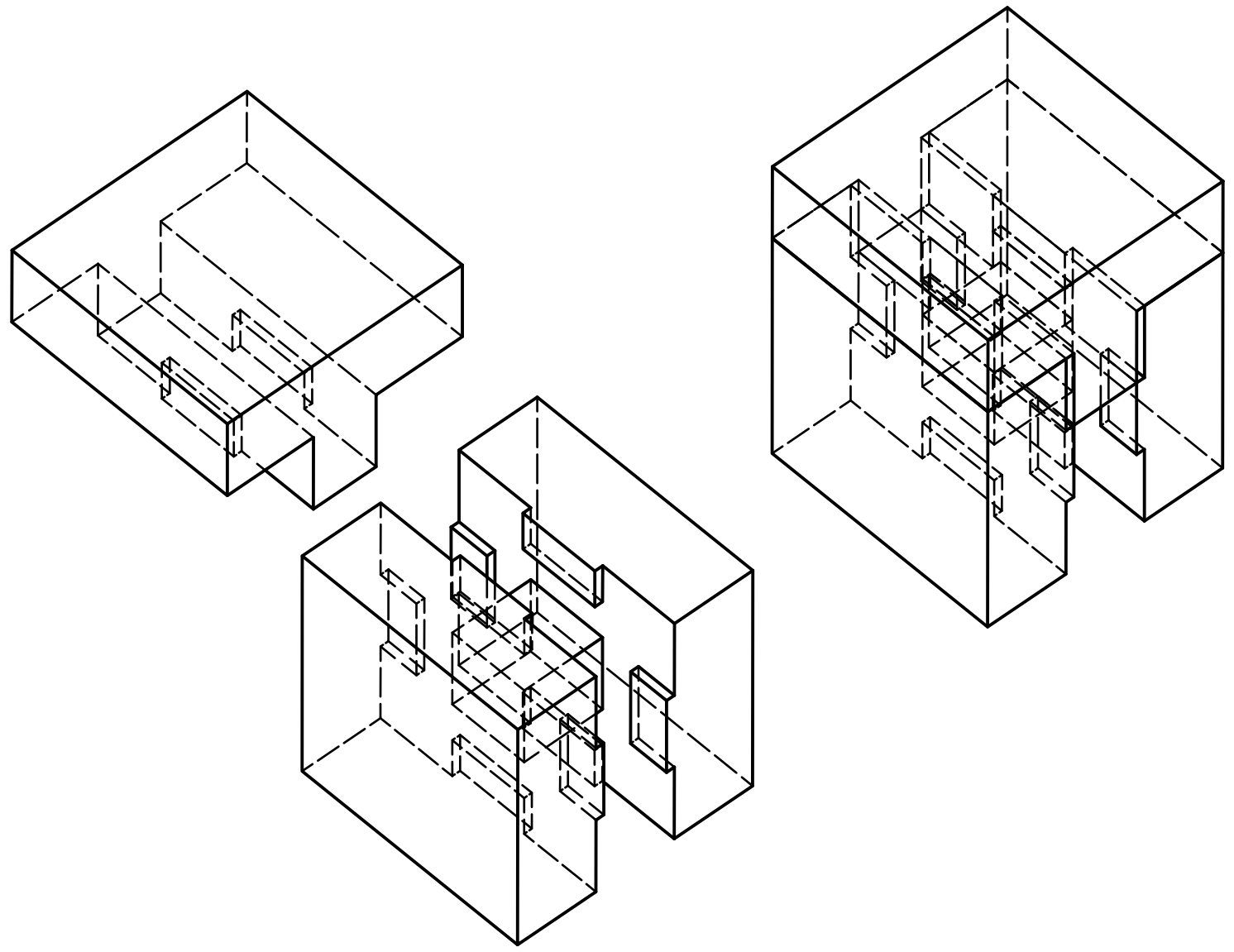
37.iam

4

3

2

1



4

3

2

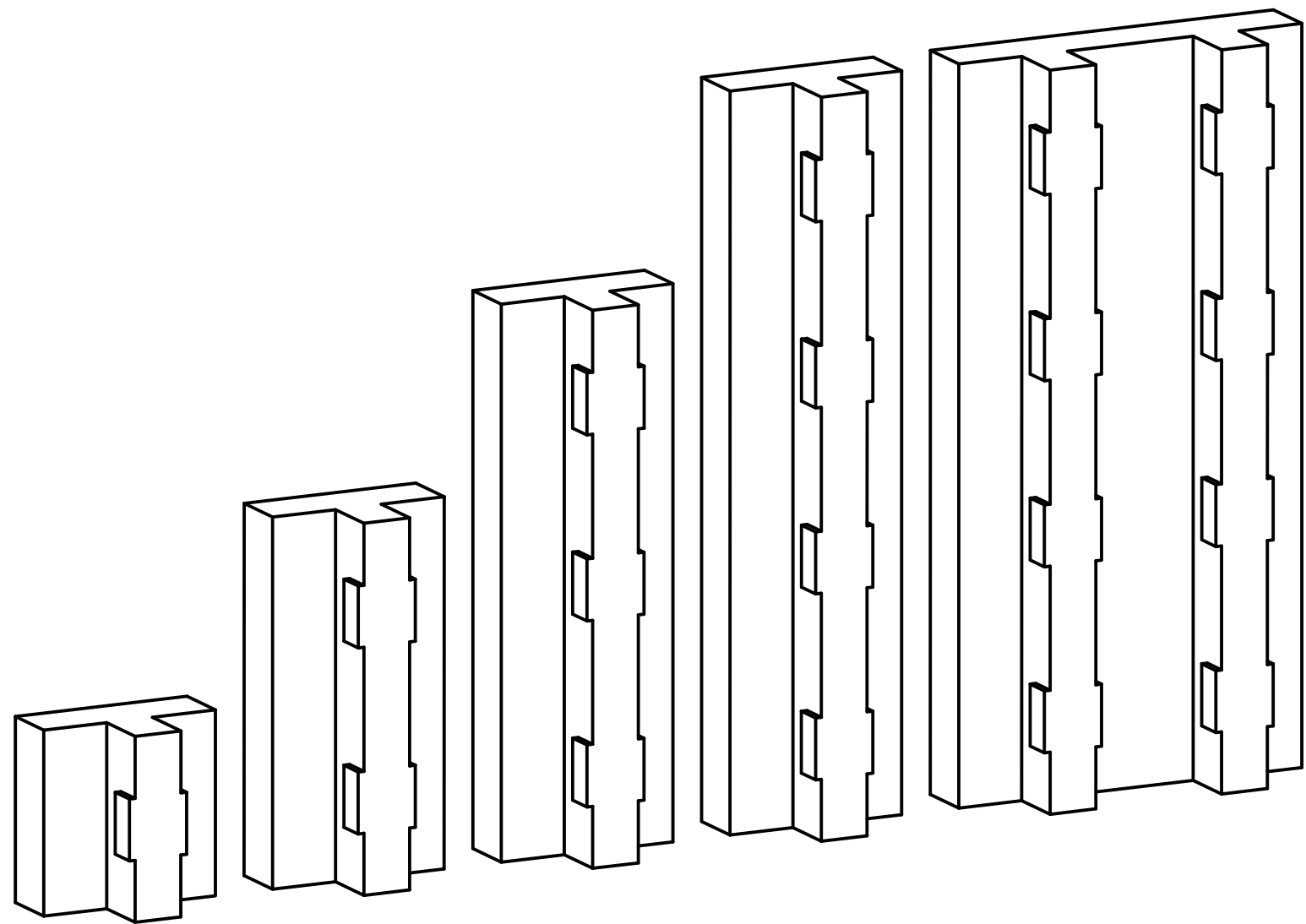
1

B

B

A

A



38.iam

4

3

2

1

4

3

2

1

B

B

A

A

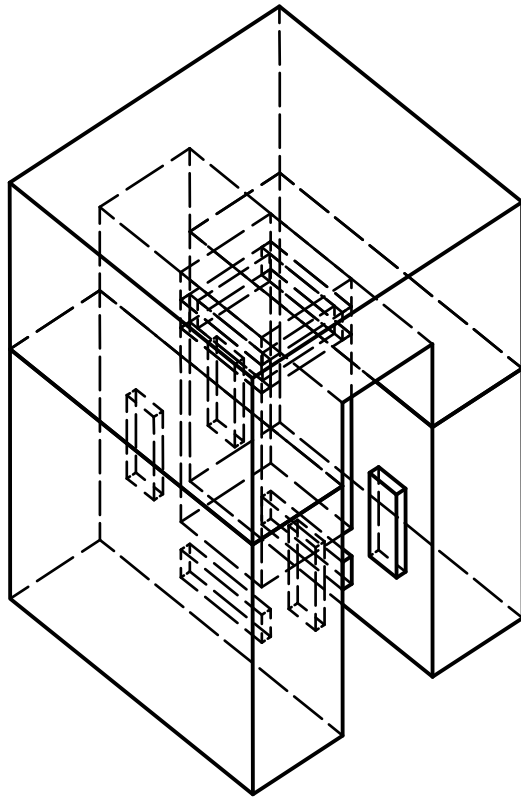
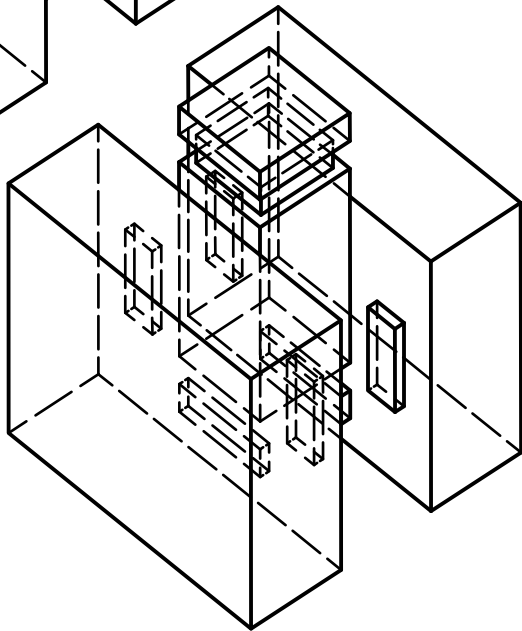
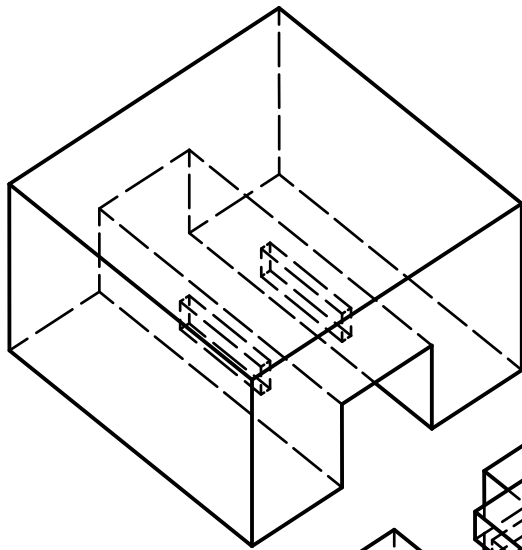
39.iam

4

3

2

1



4

3

2

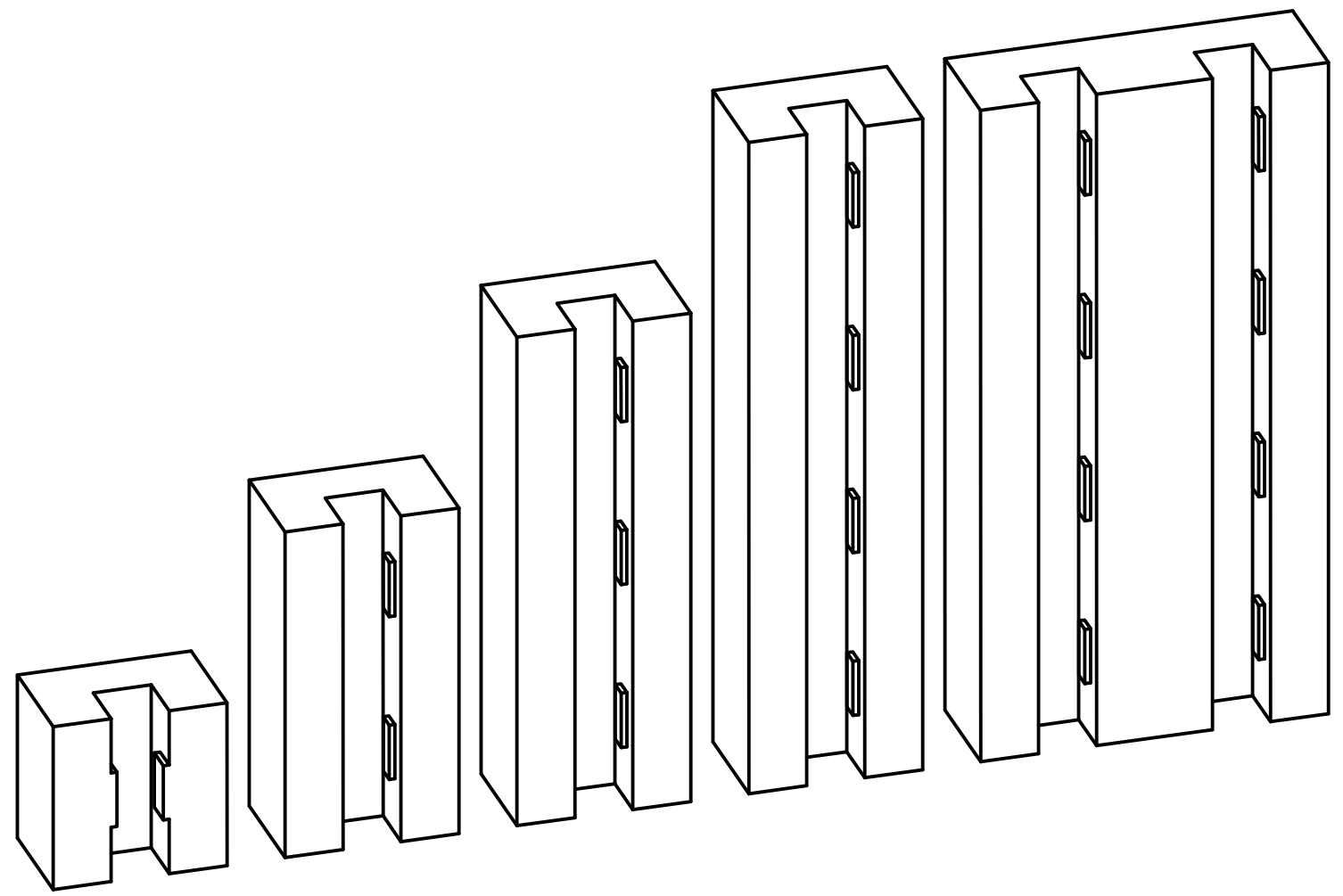
1

B

B

A

A



40.iam

4

3

2

1

4

3

2

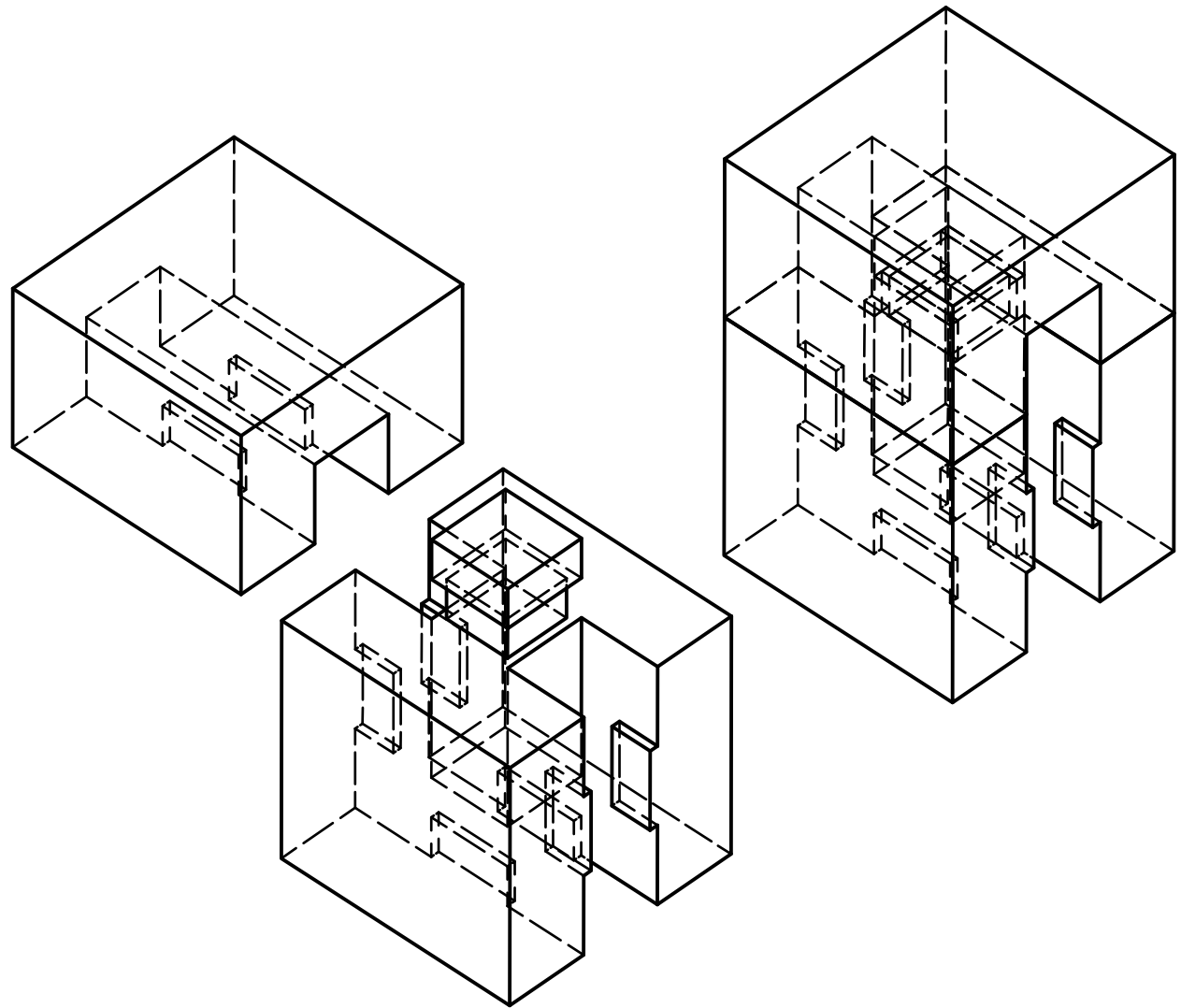
1

B

B

A

A



41.iam

4

3

2

1

4

3

2

1

B

B

A

A

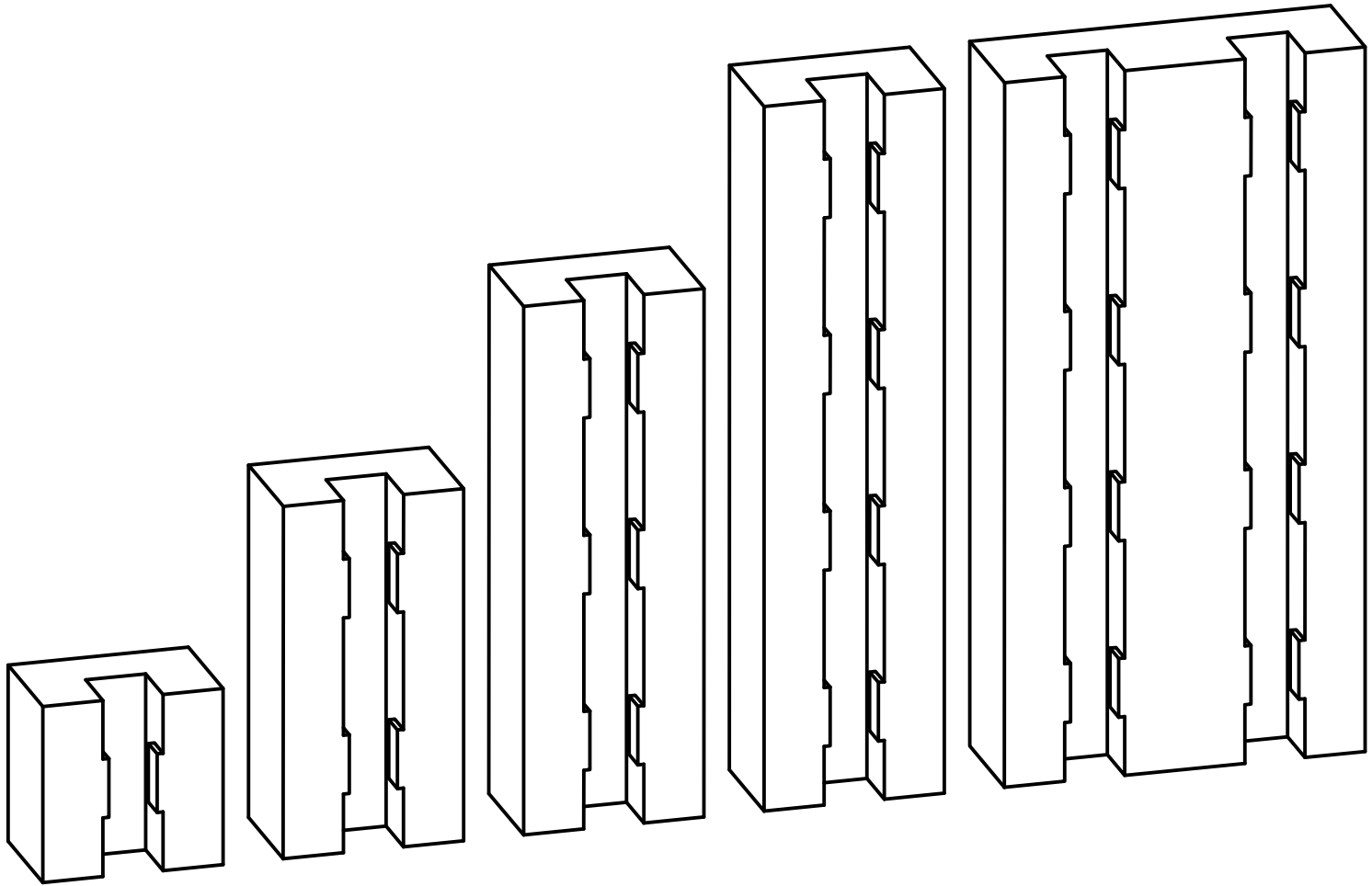
42.iam

4

3

2

1



4

3

2

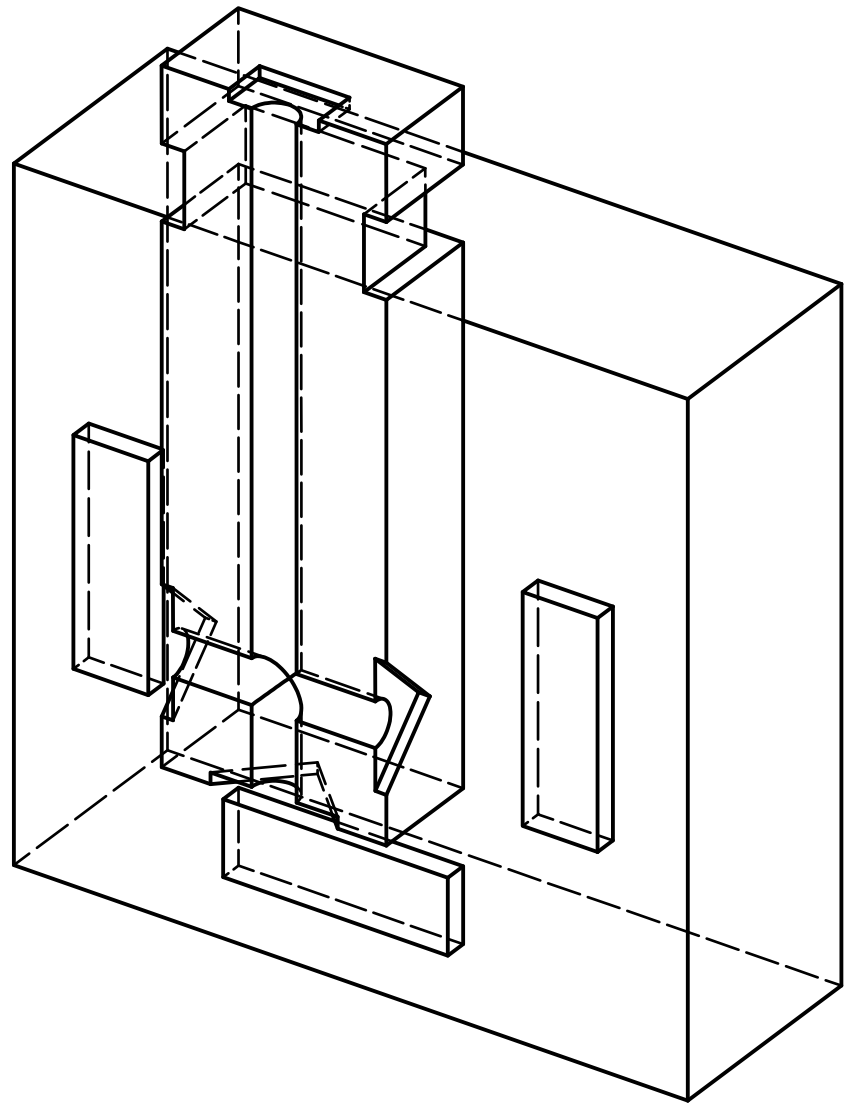
1

B

B

A

A

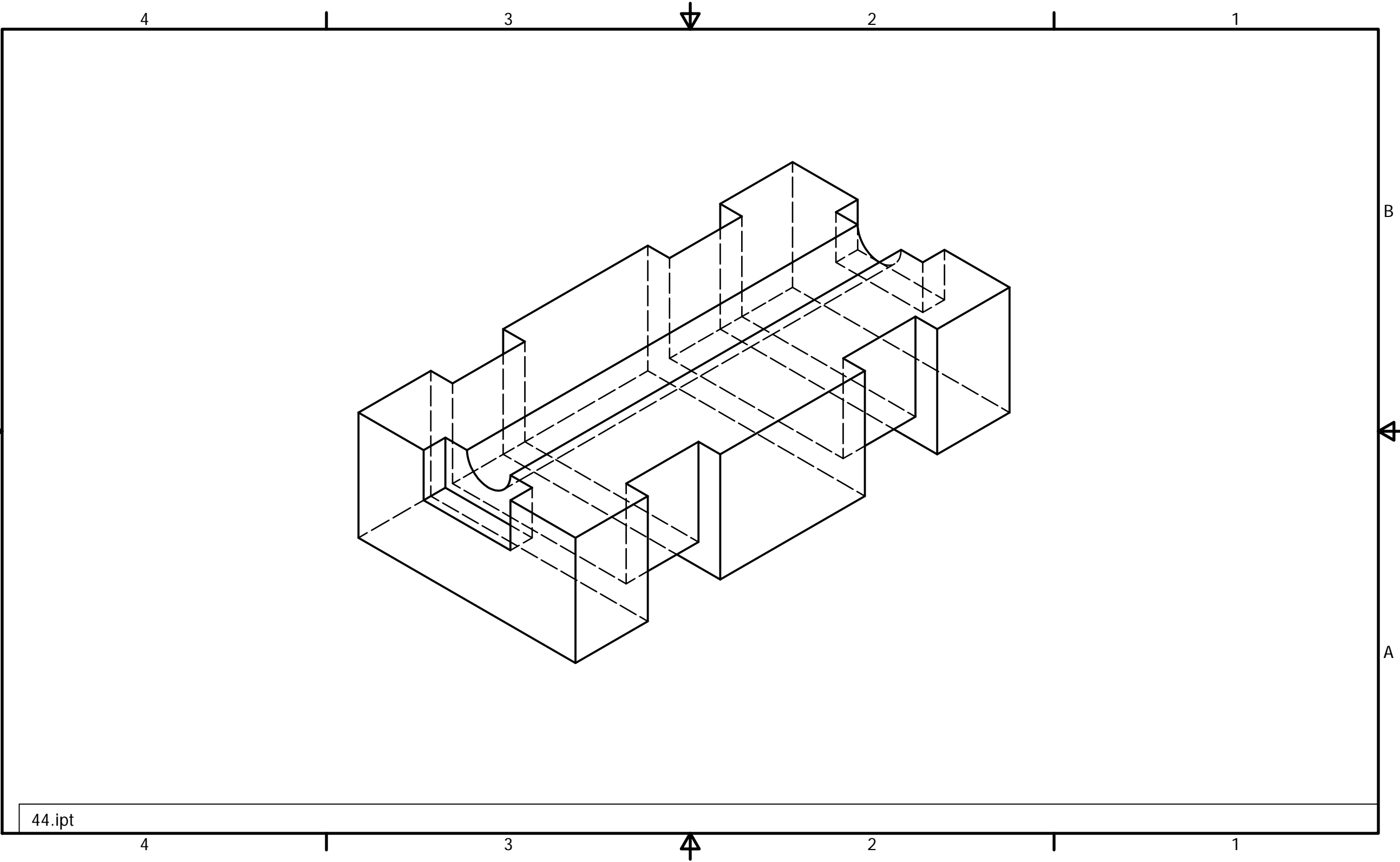


4

3

2

1



4

3

2

1

B

B

A

A



45.ipt

4

3

2

1

4

3

2

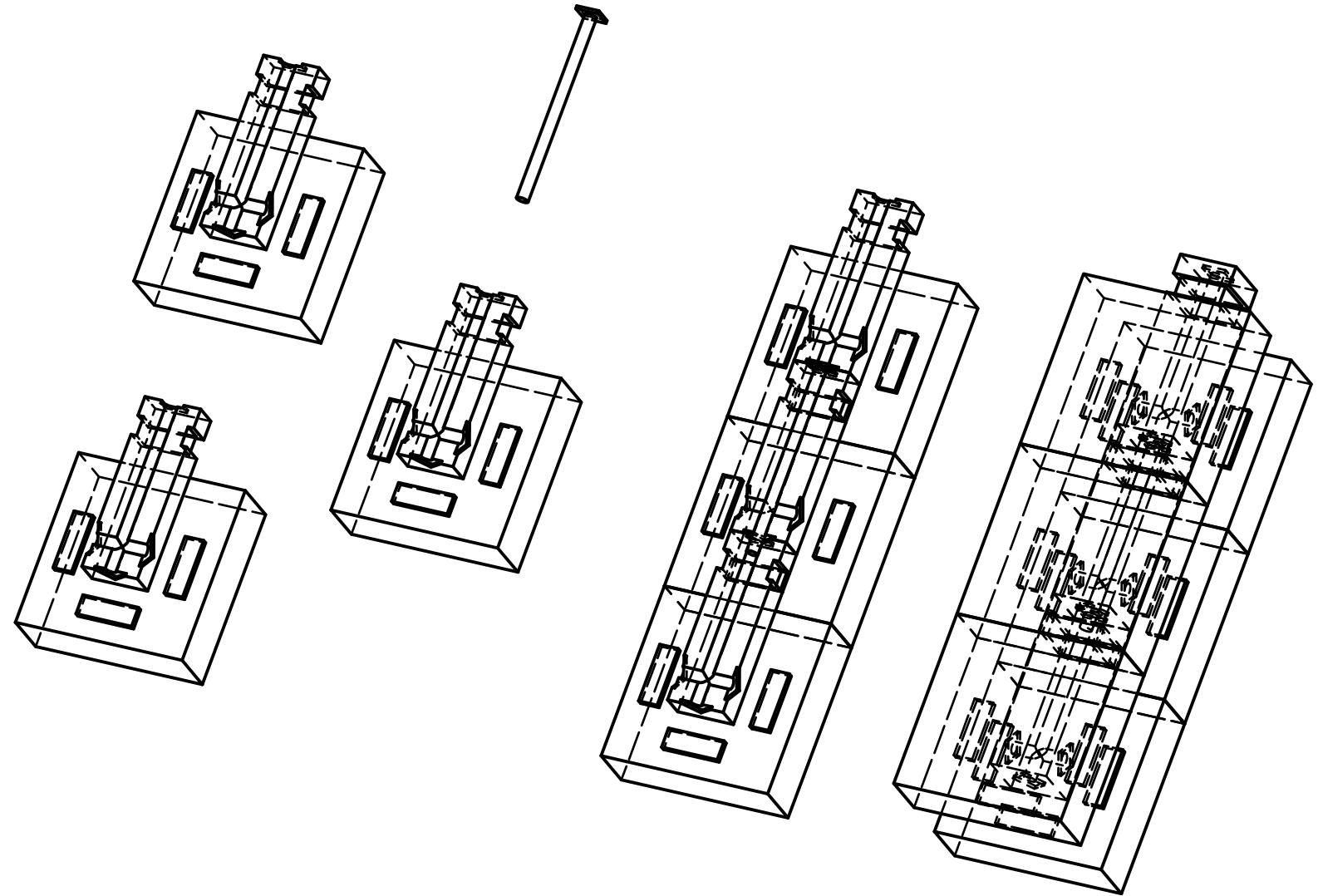
1

B

B

A

A



4

3

2

1

B

B

A

A



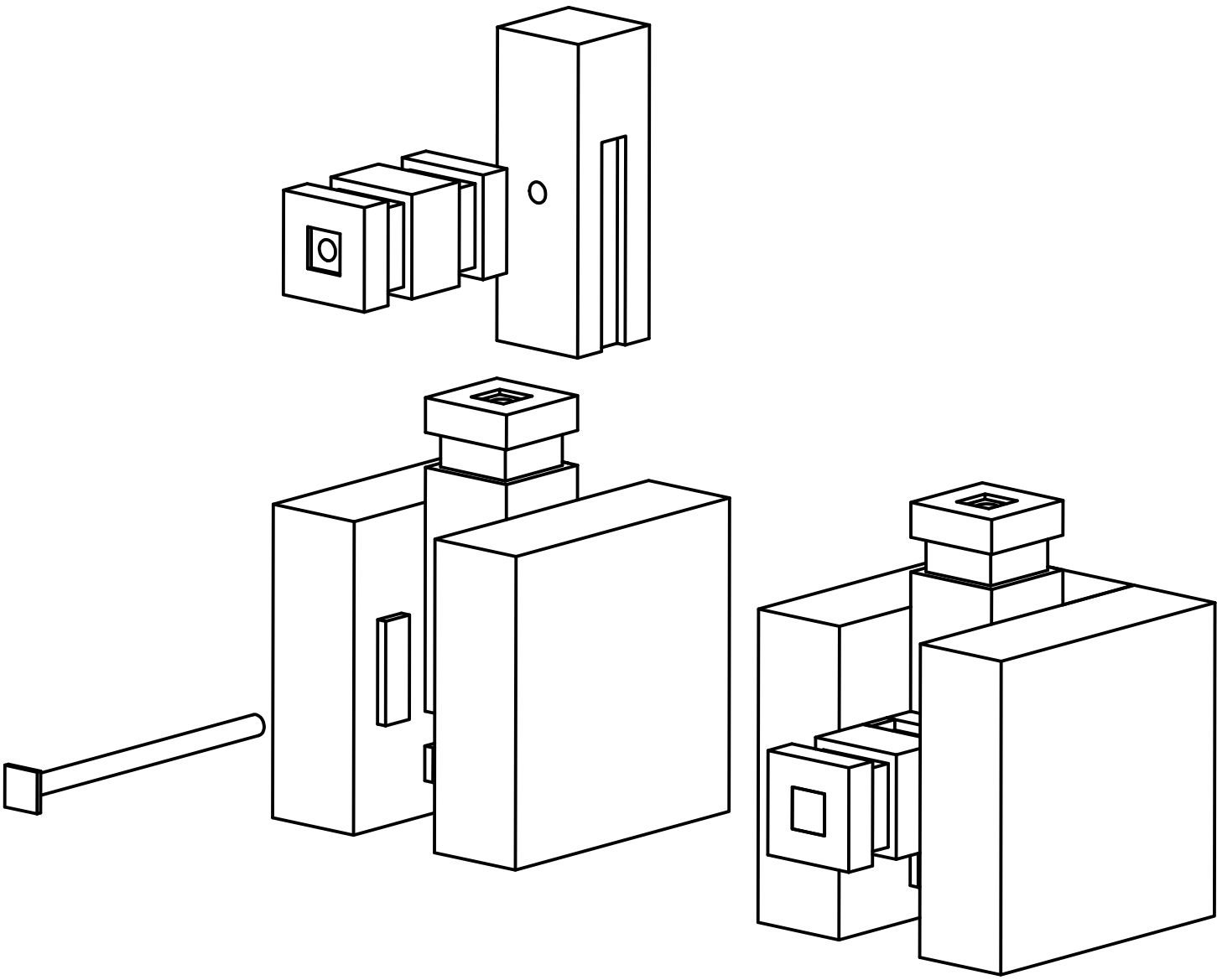
47.iam

4

3

2

1



4

3

2

1

B

B

A

A

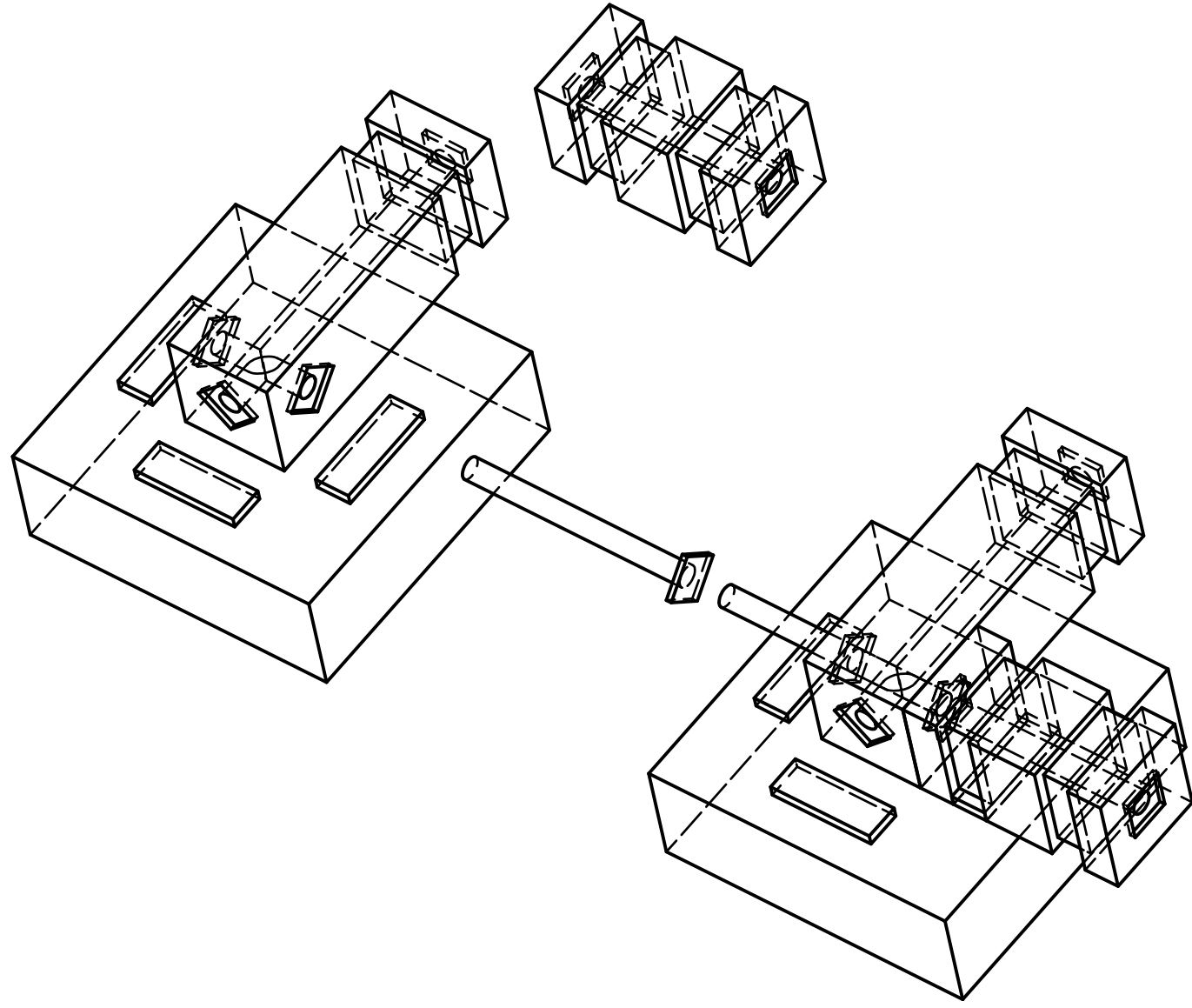
48.iam

4

3

2

1



4

3



2

1

1

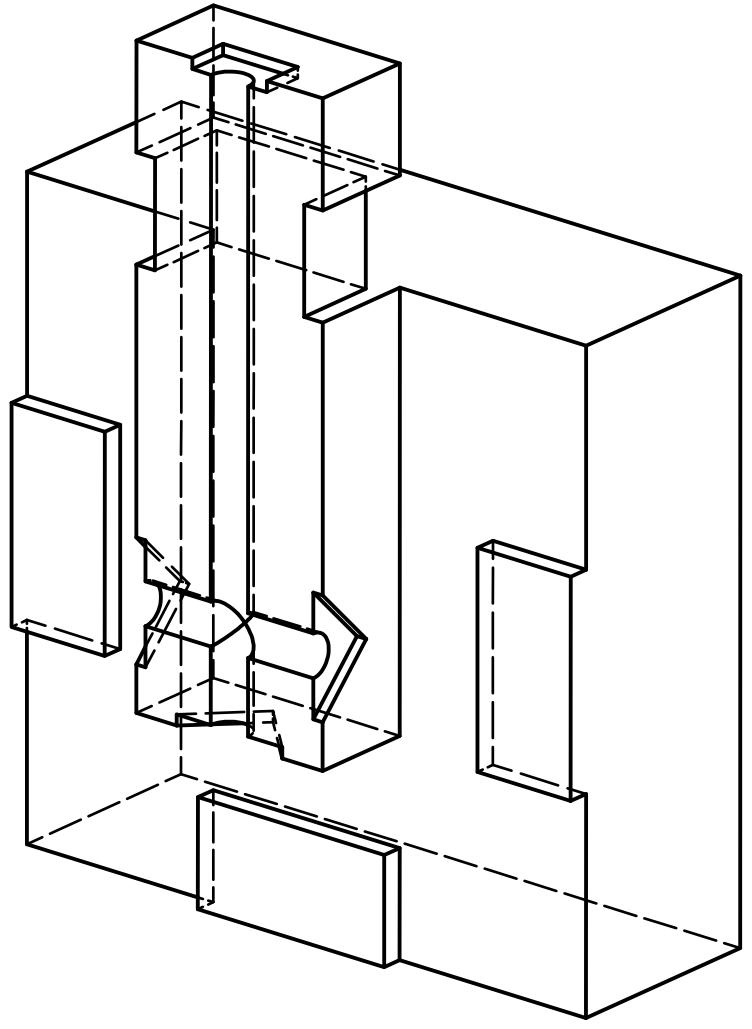
B

B



A

A



4

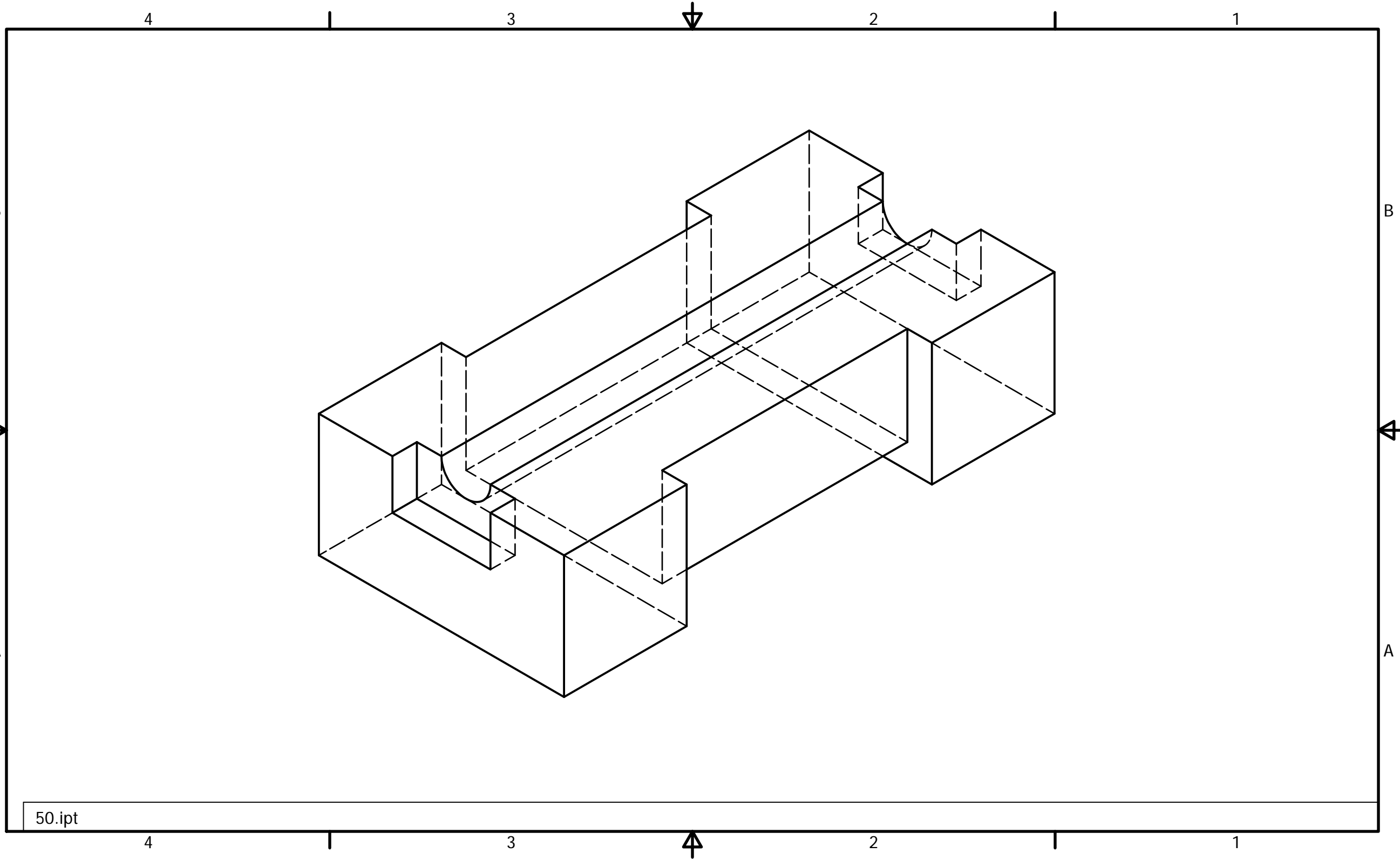
3

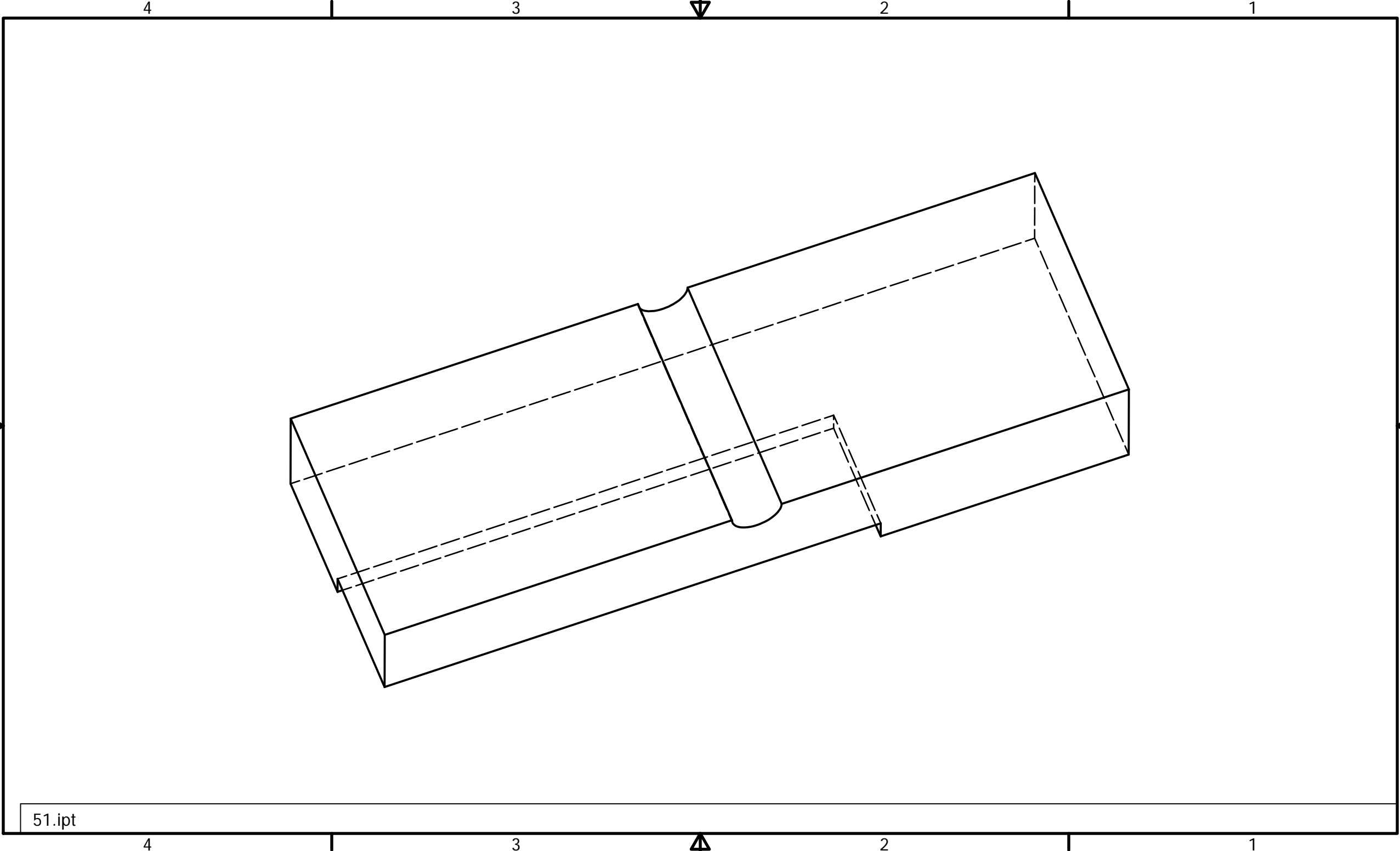


2

1

1





51.ipt

4

3

2

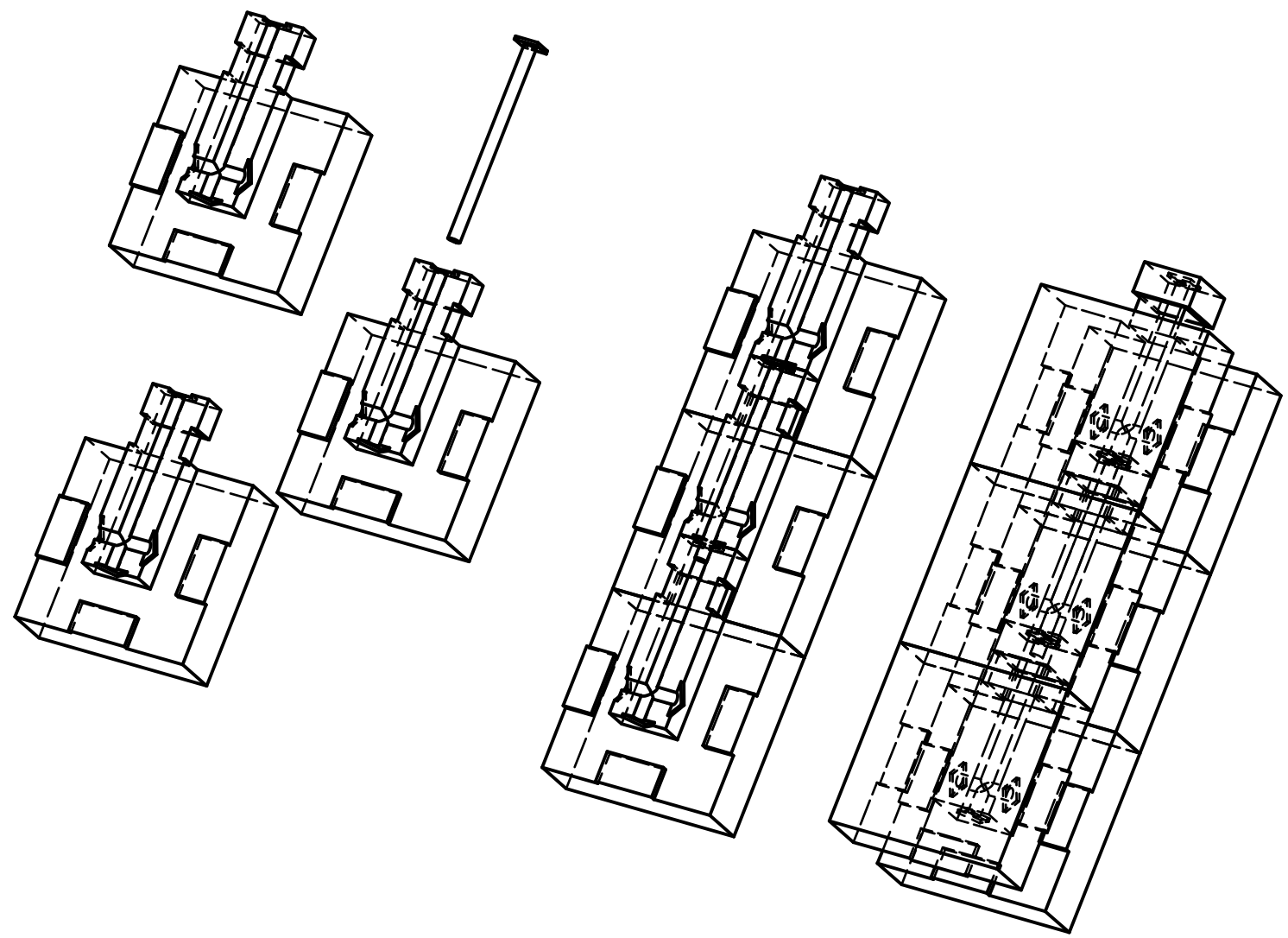
1

B

B

A

A



4

3

2

1

4

3

2

1

B

B

A

A

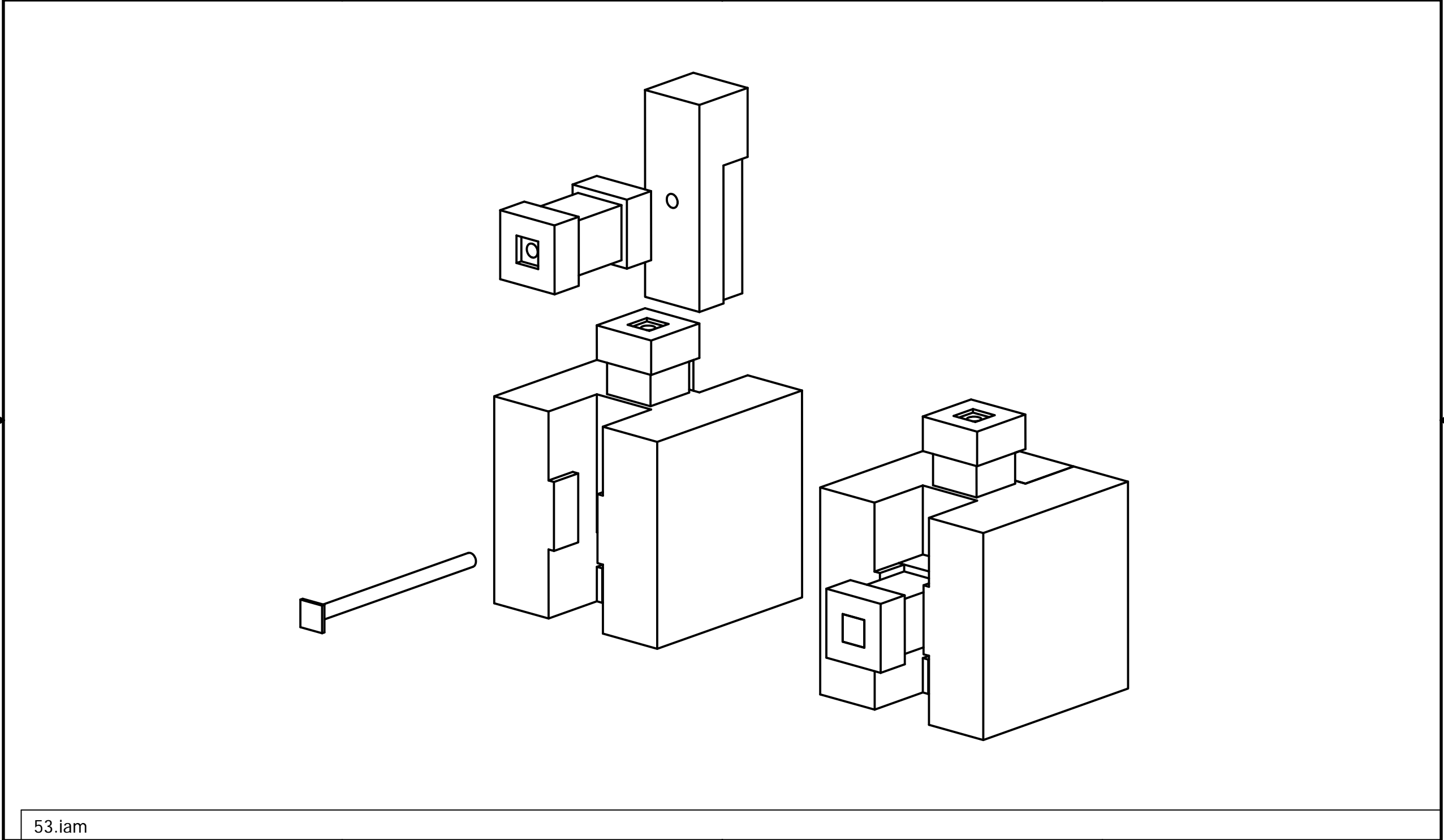
53.iam

4

3

2

1



4

3

2

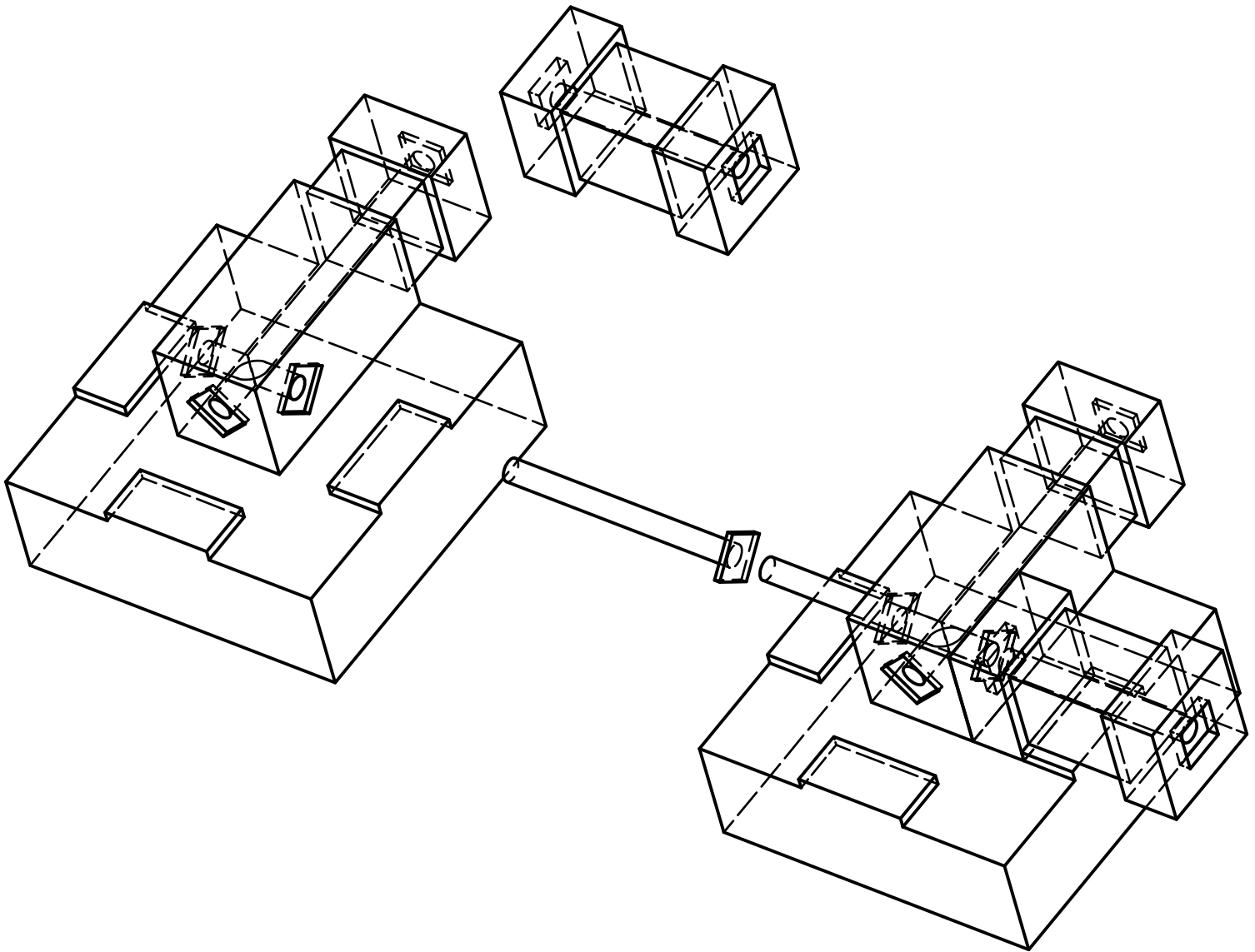
1

B

B

A

A



54.iam

4

3

2

1

4

3

2

1

B

B

A

A

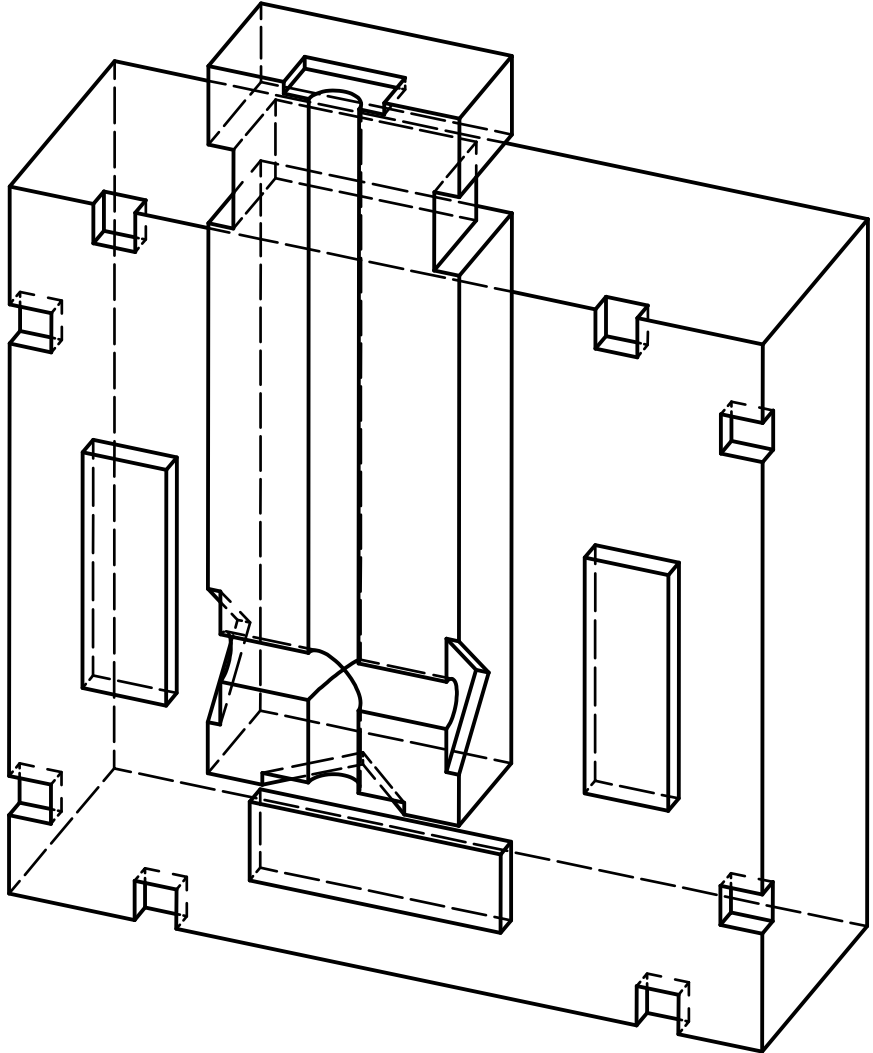
55.ipt

4

3

2

1



4

3

2

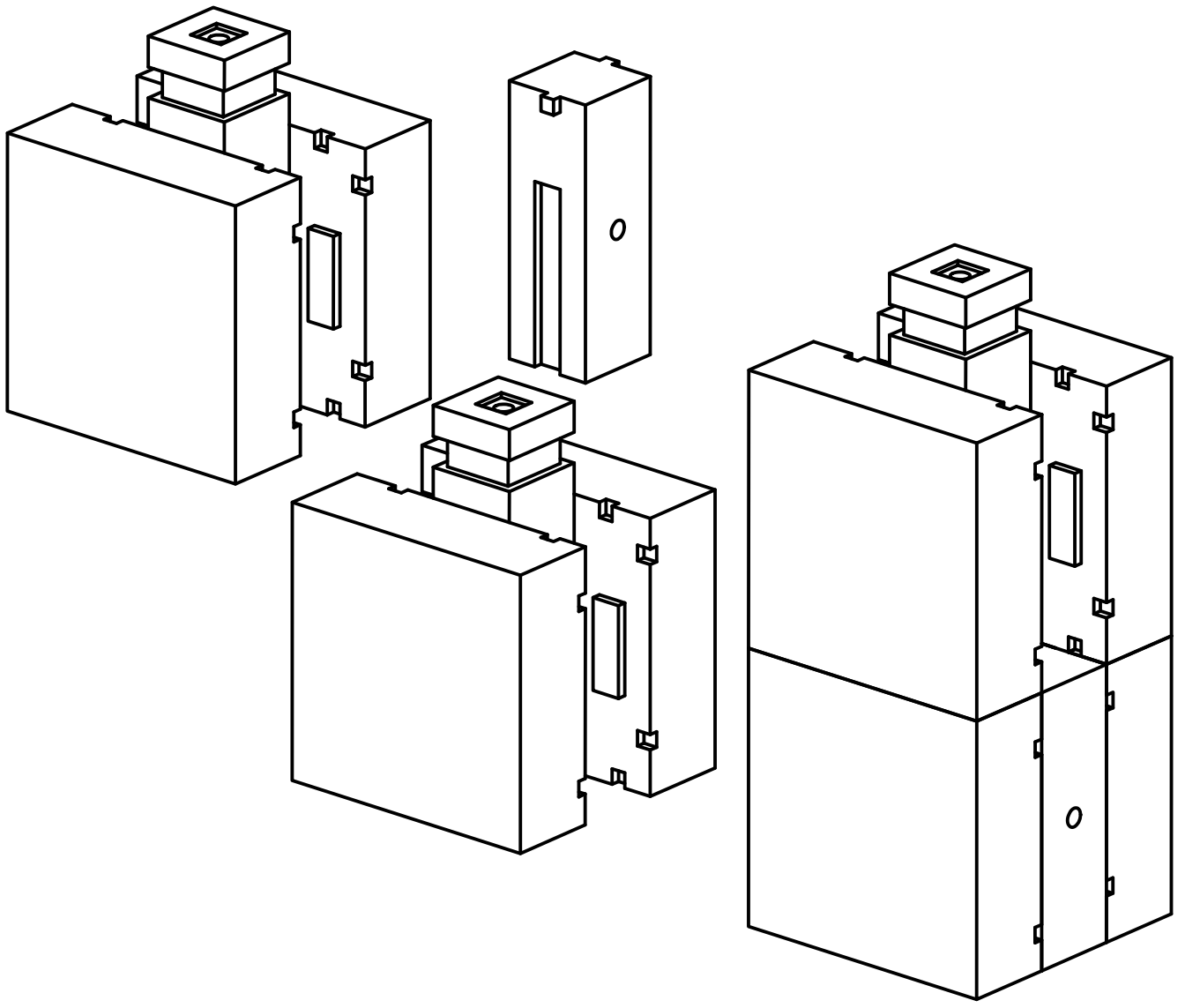
1

B

B

A

A



4

3



2

1

1

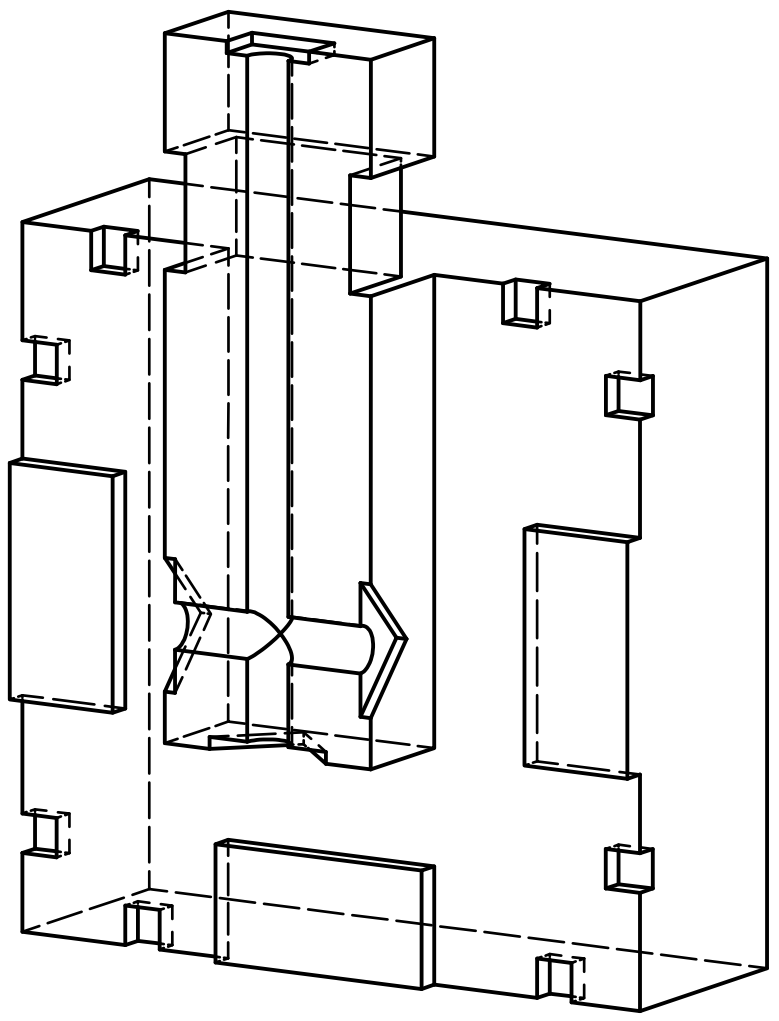
B

B



A

A



4

3



2

1

1

4

3

2

1

B

B

A

A

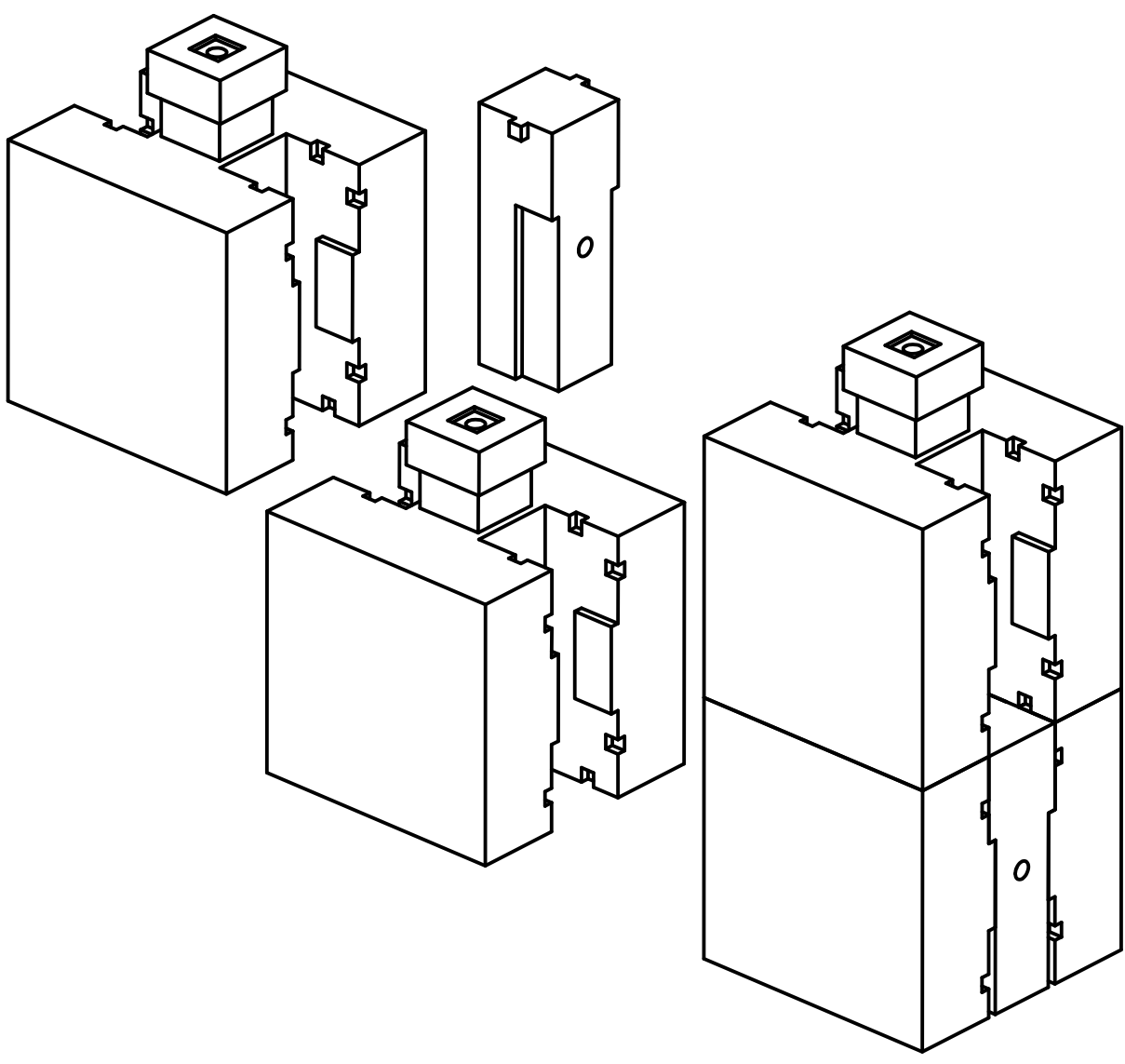
58.iam

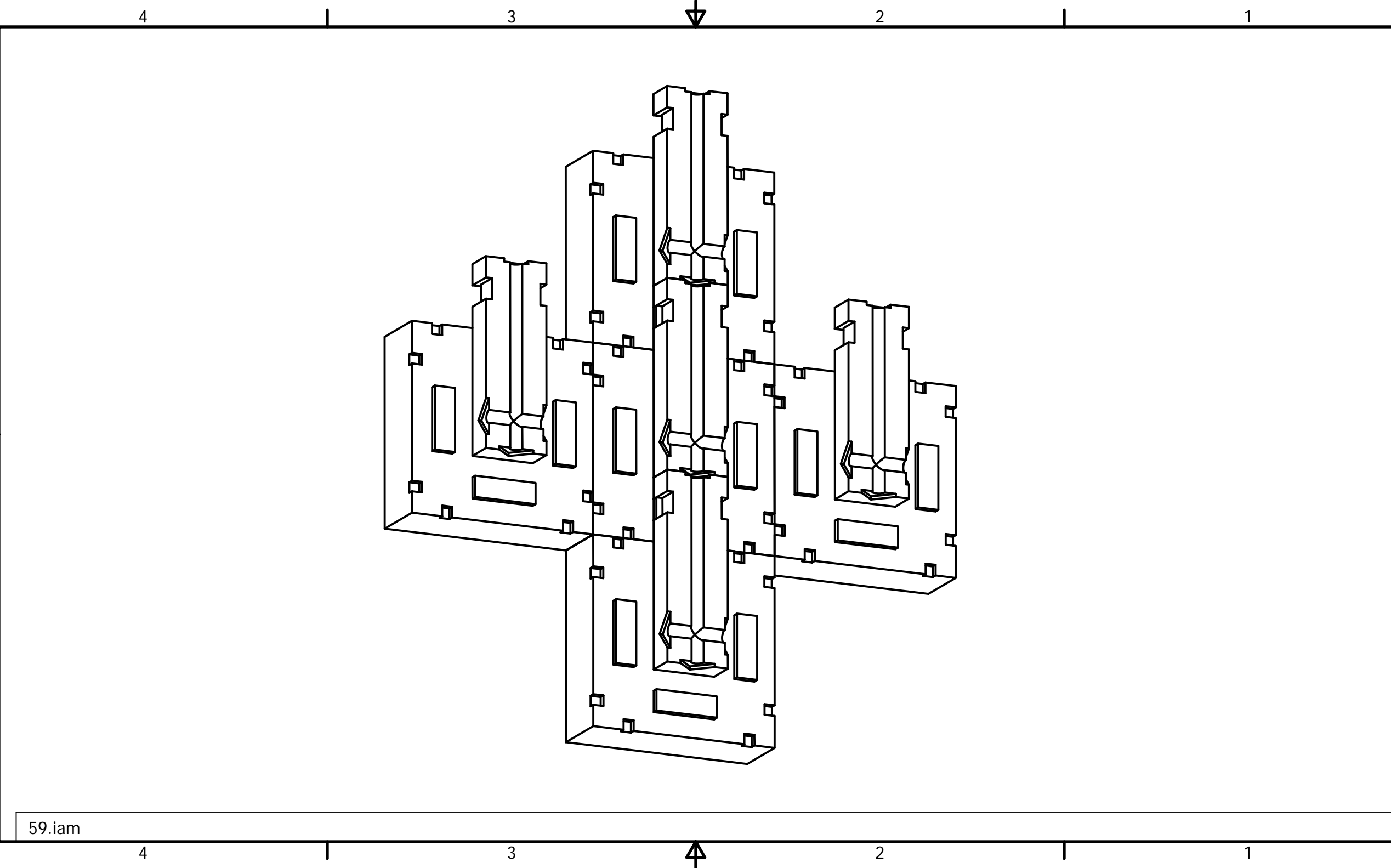
4

3

2

1





59.iam

4

3

2

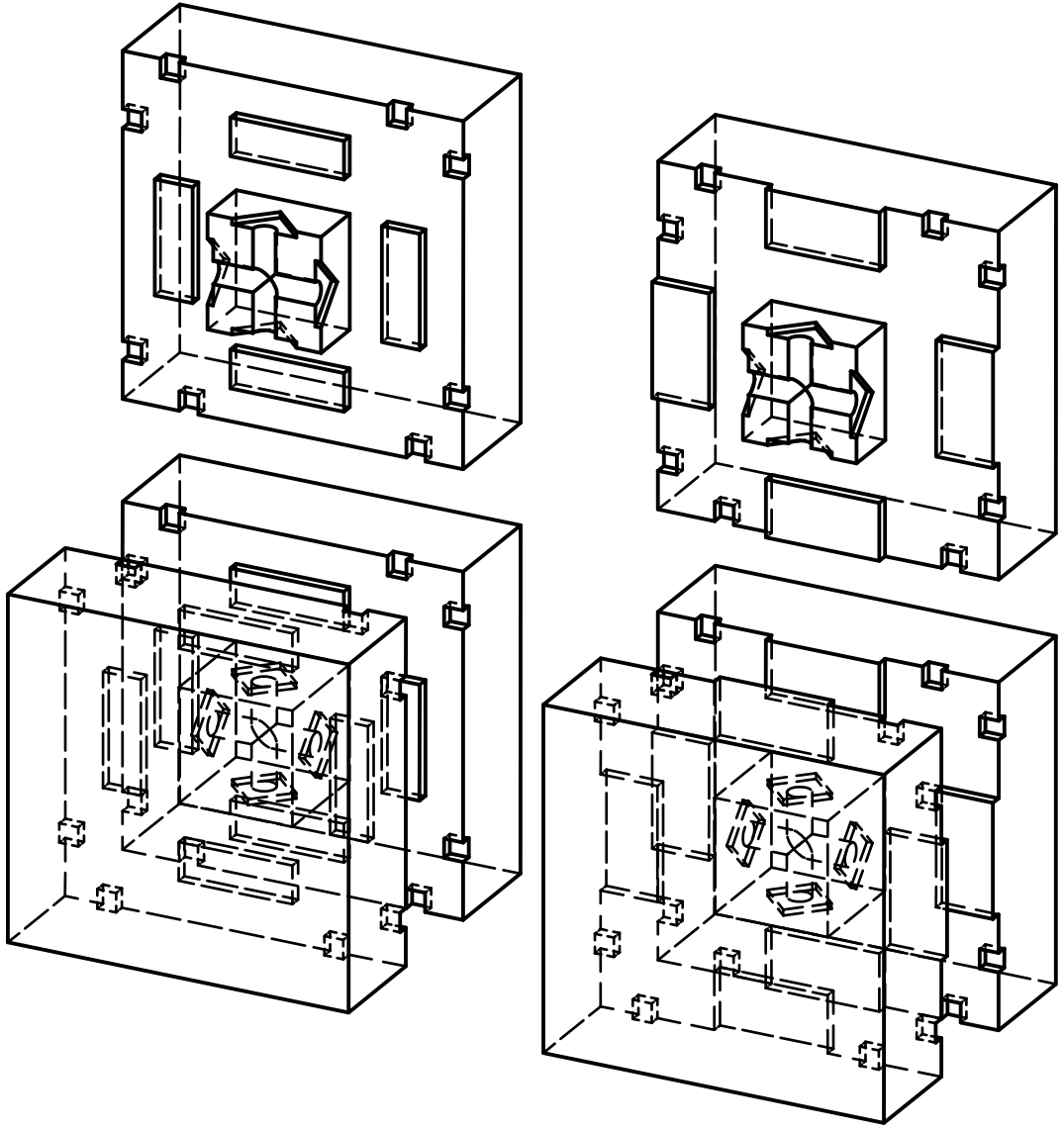
1

B

B

A

A



60.iam

4

3

2

1

4

3

2

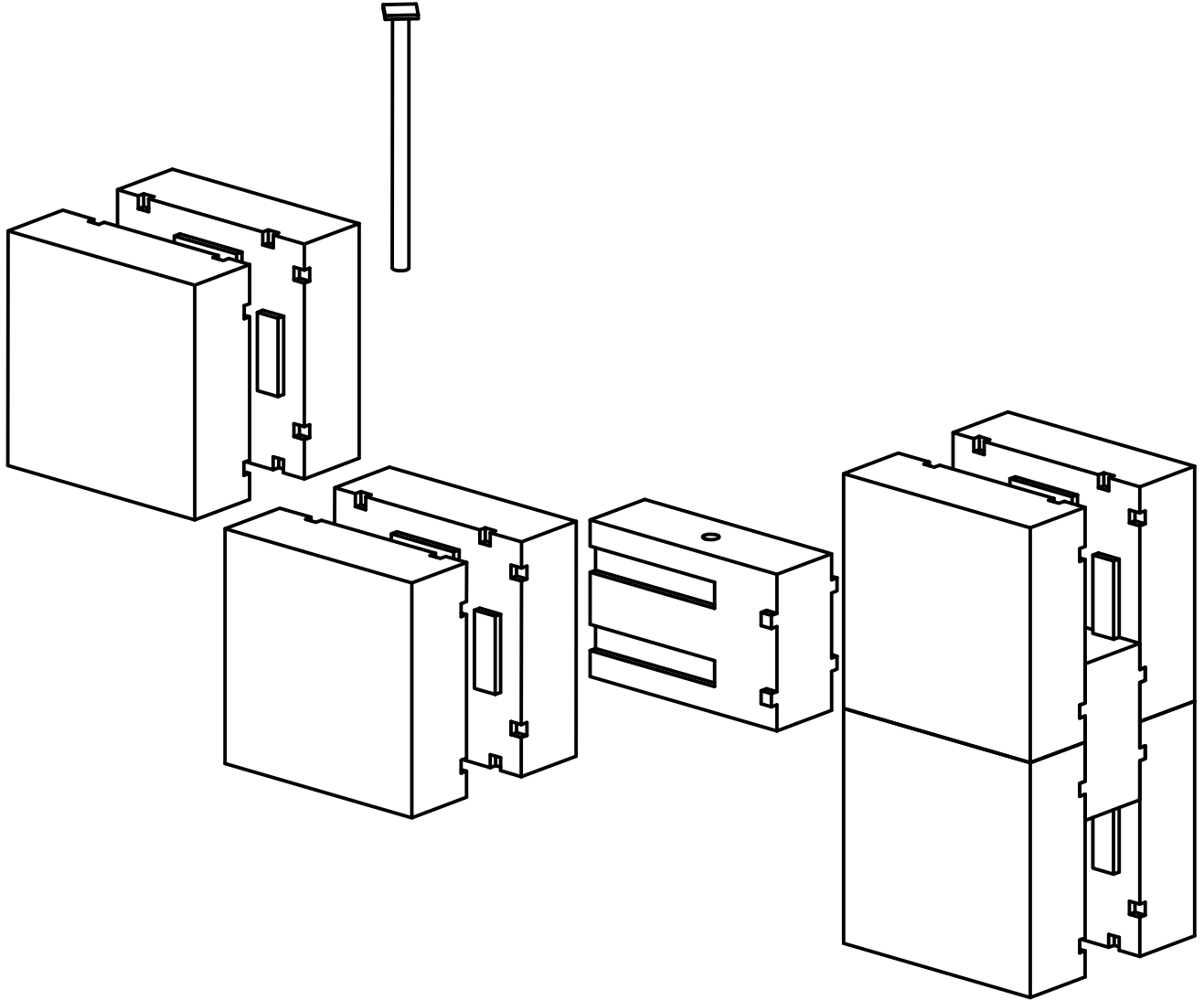
1

B

B

A

A



61.iam

4

3

2

1

4

3

2

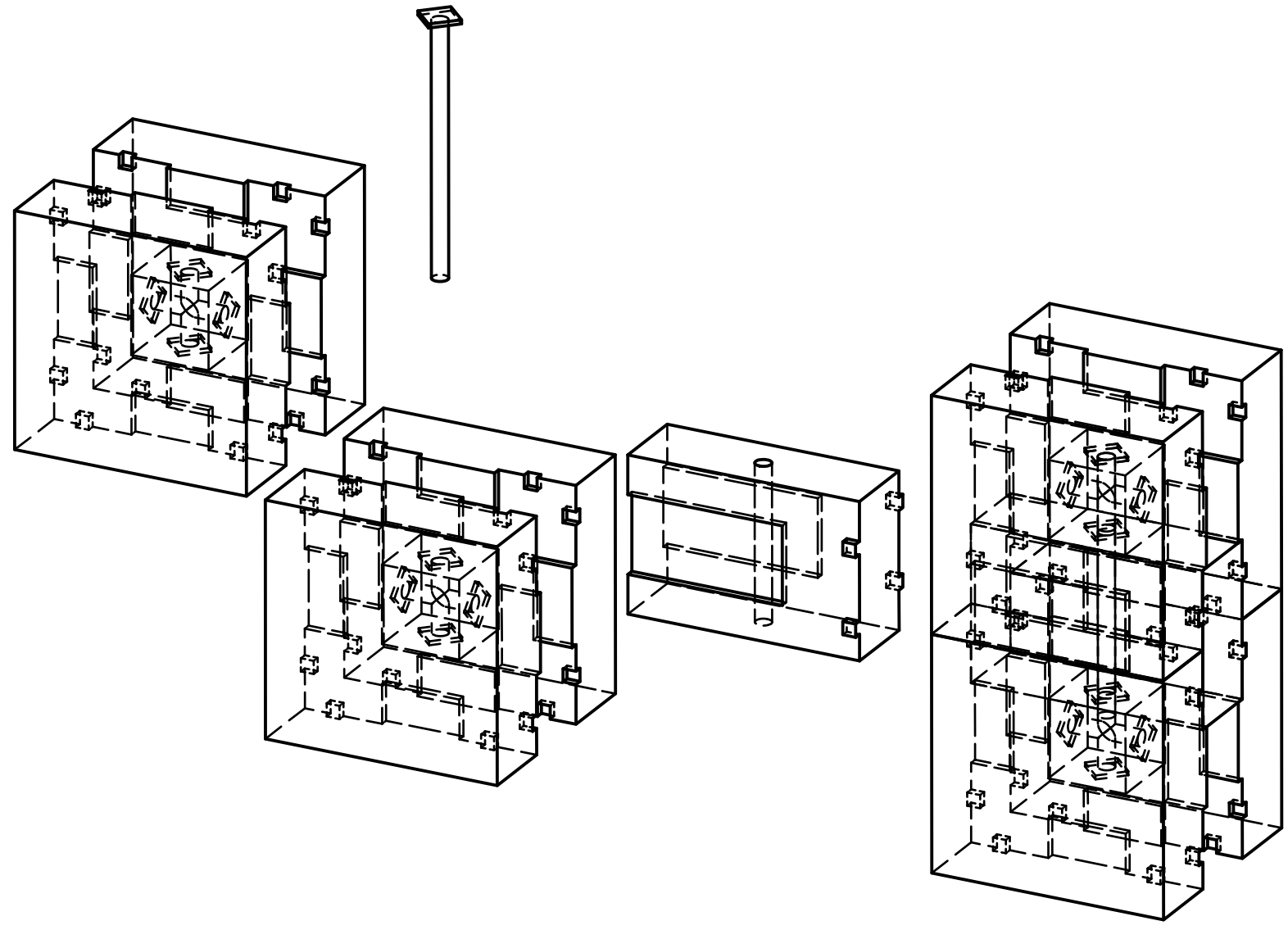
1

B

B

A

A



4

3

2

1

4

3

2

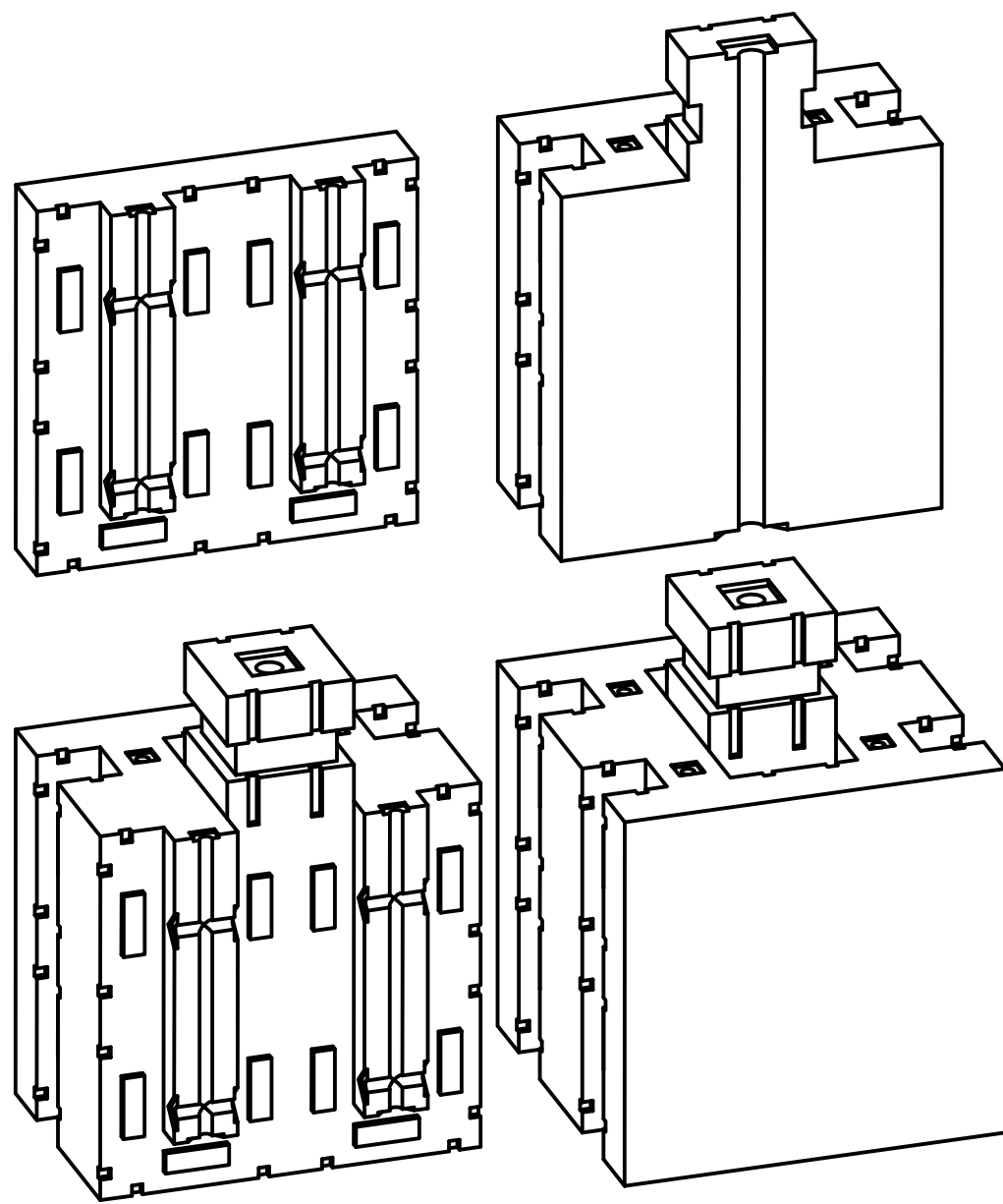
1

B

B

A

A



63.iam

4

3

2

1

4

3

2

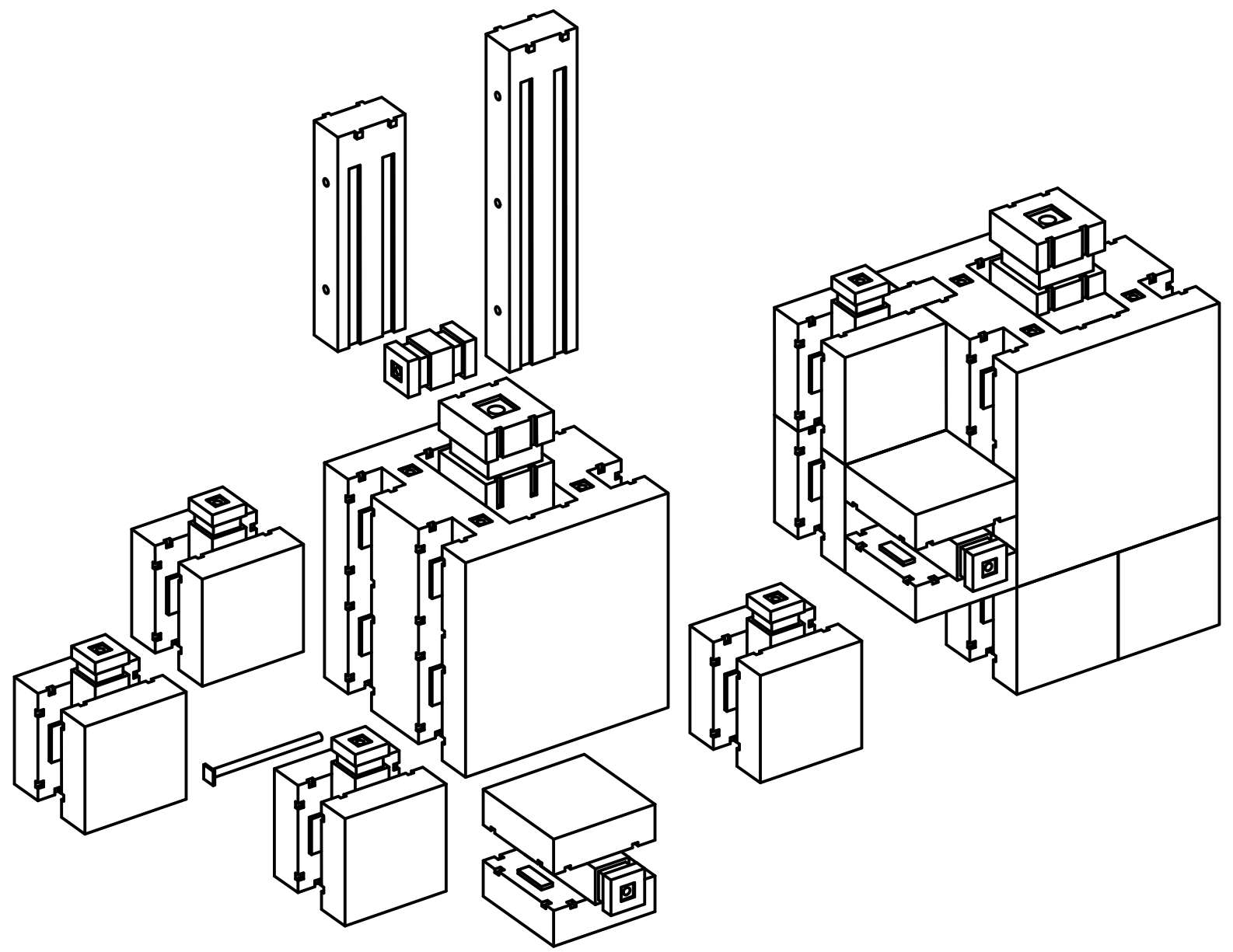
1

B

B

A

A



64.iam

4

3

2

1

4

3

2

1

B

B

A

A

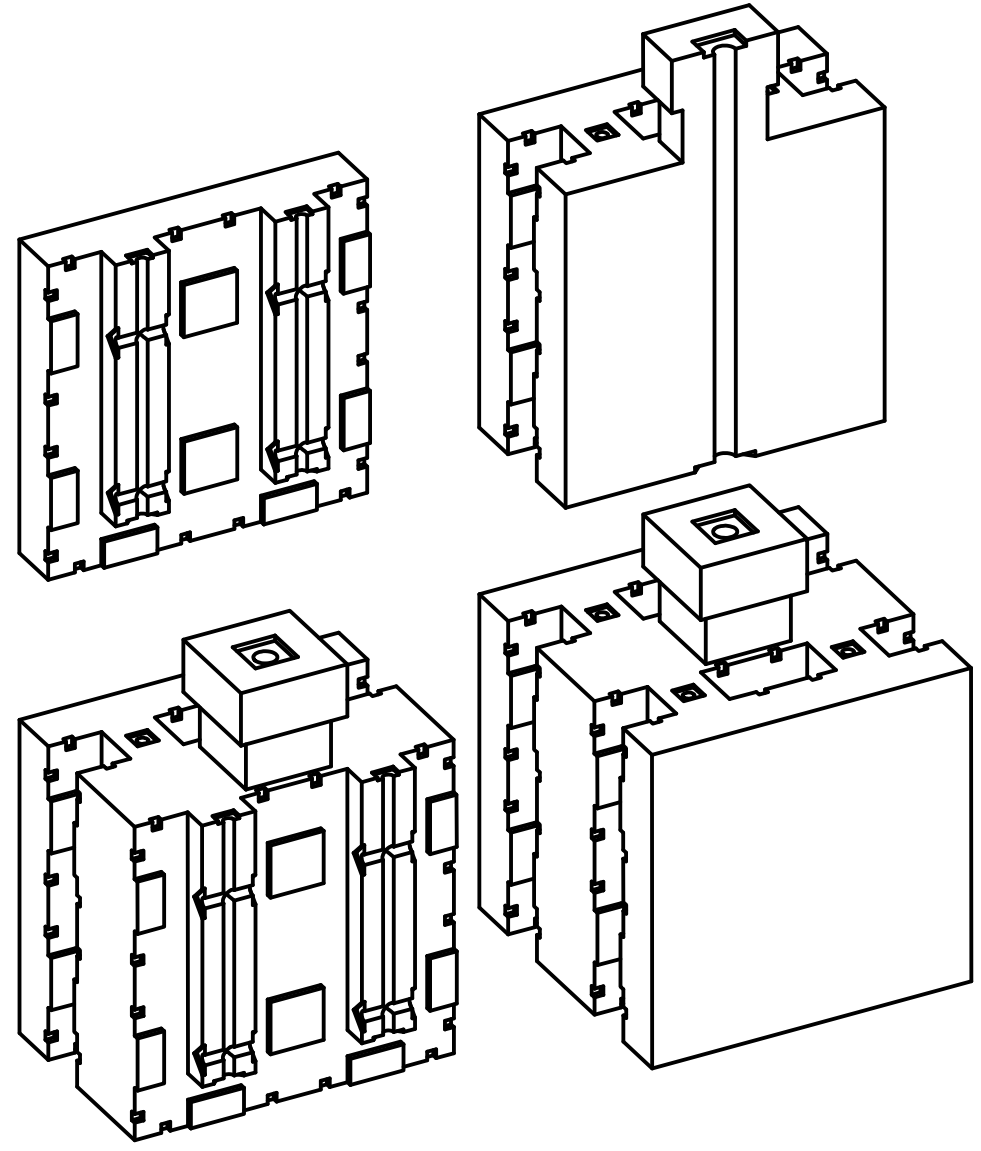
65.iam

4

3

2

1



4

3

2

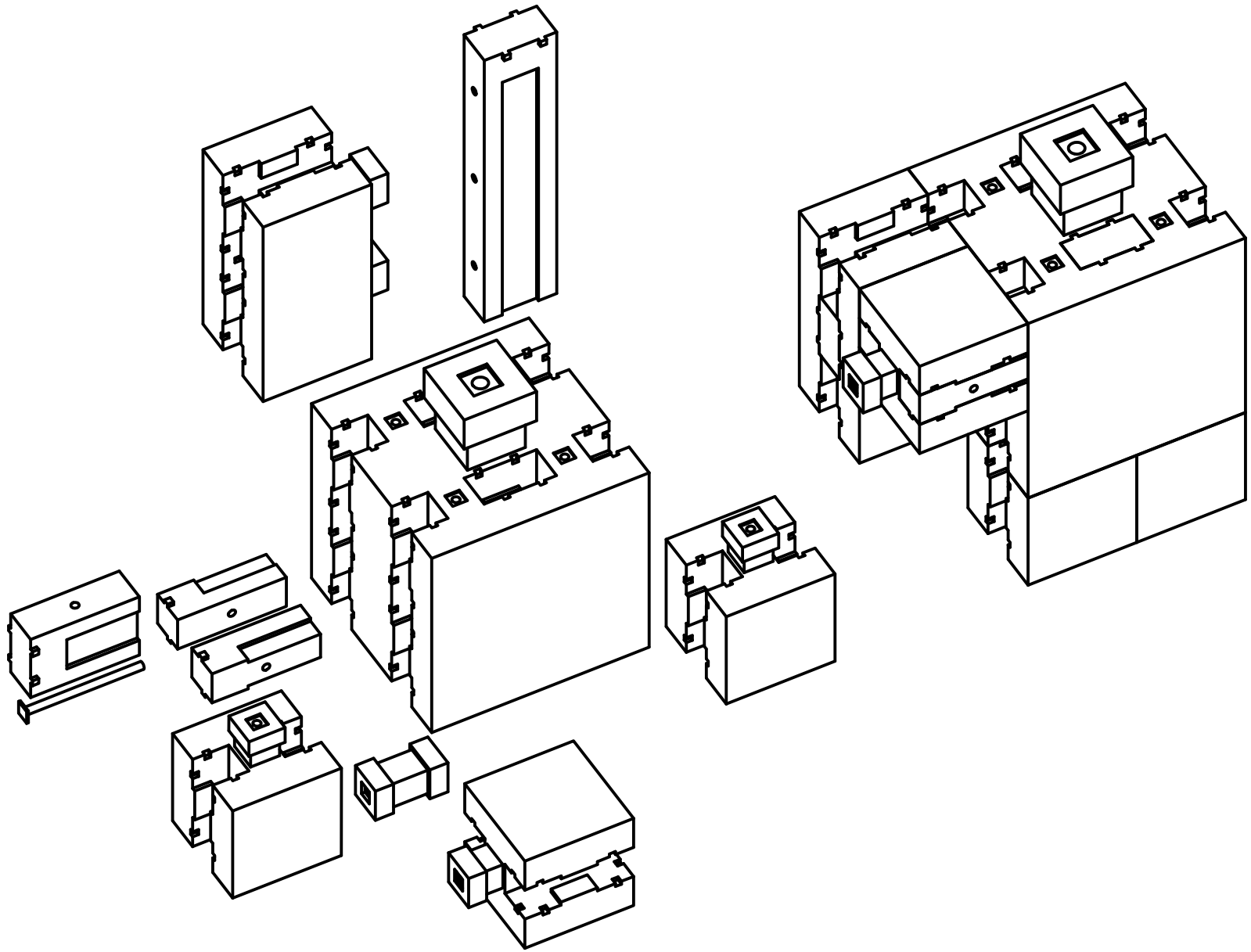
1

B

B

A

A



66.iam

4

3

2

1

4

3

2

1

B

B

A

A



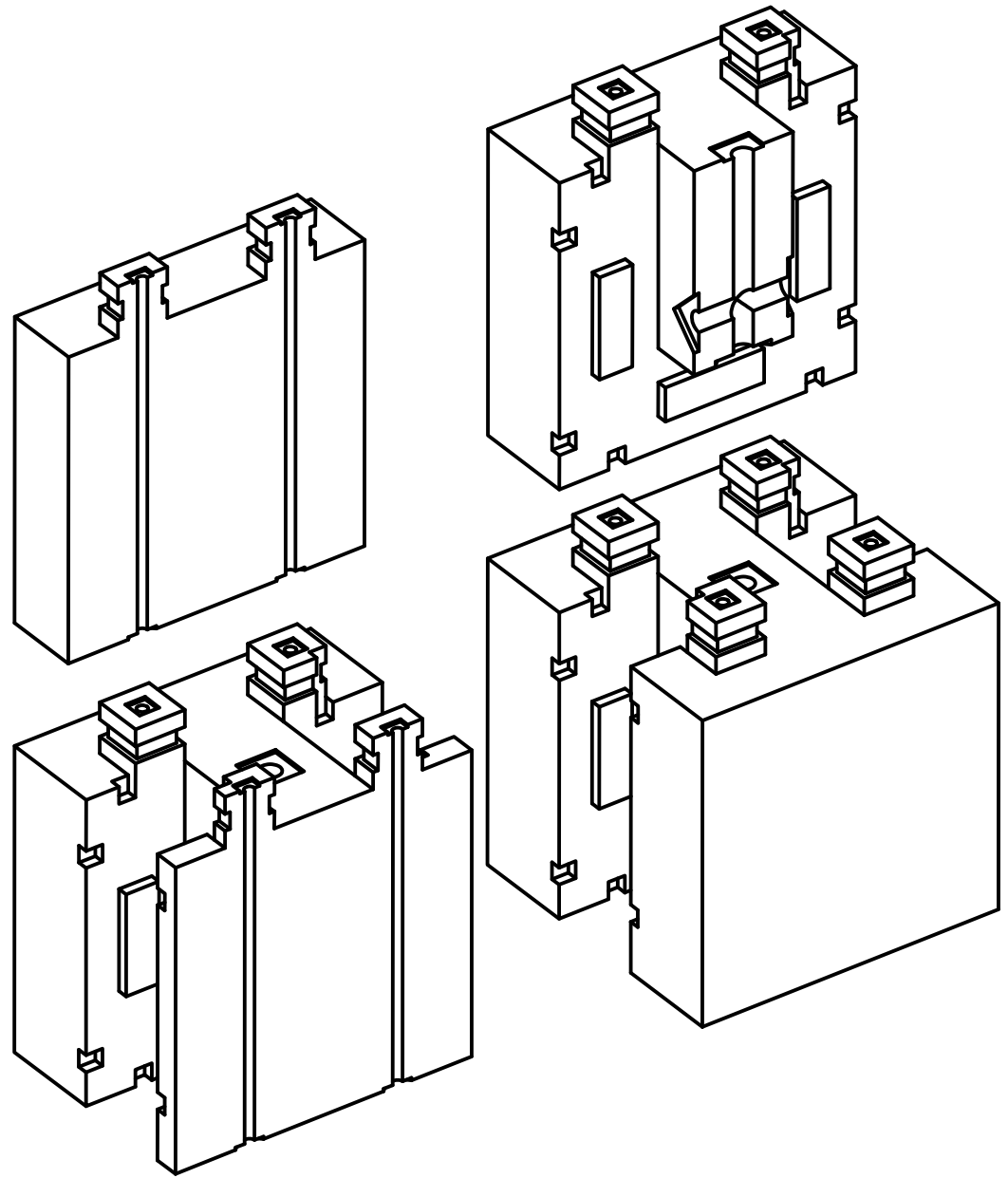
67.iam

4

3

2

1



4

3

2

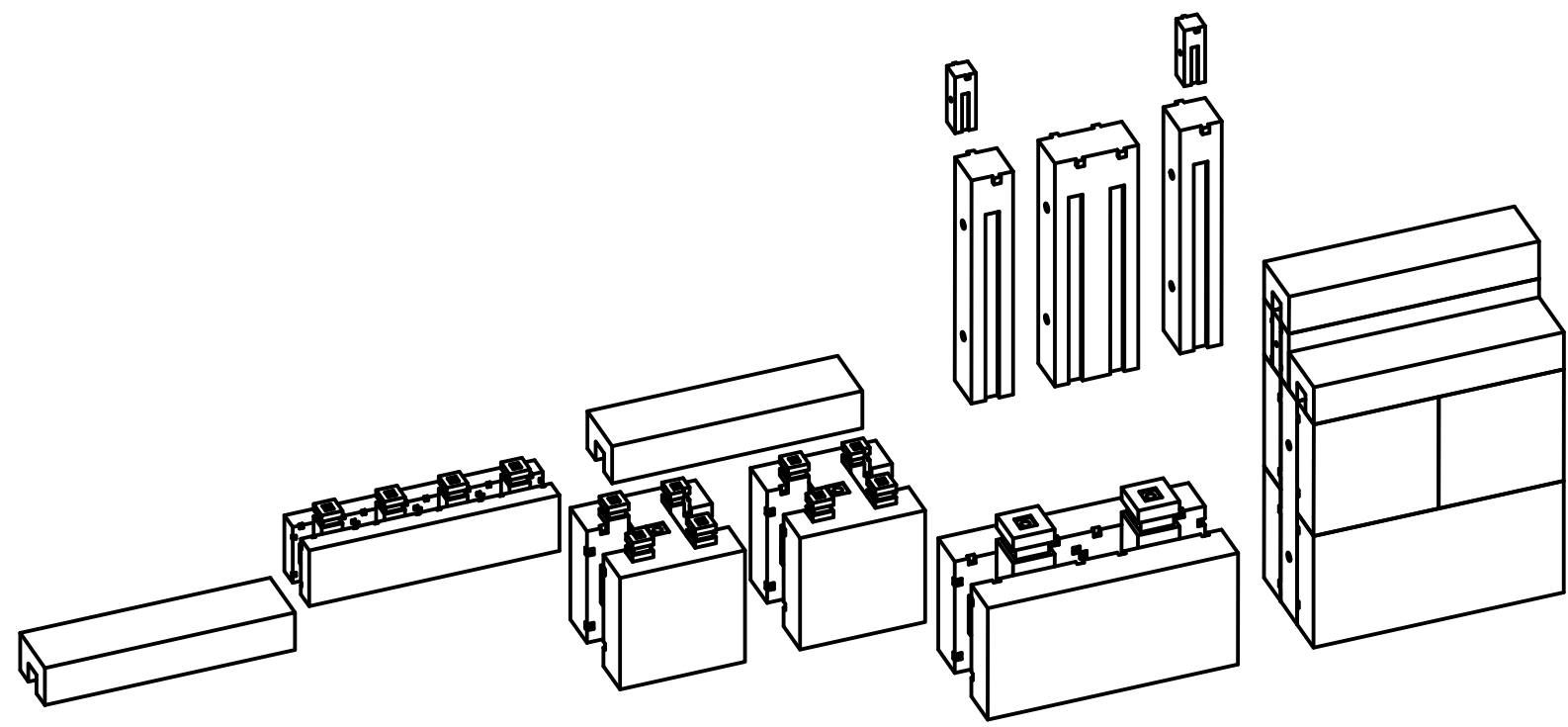
1

B

B

A

A



68.iam

4

3

2

1

4

3

2

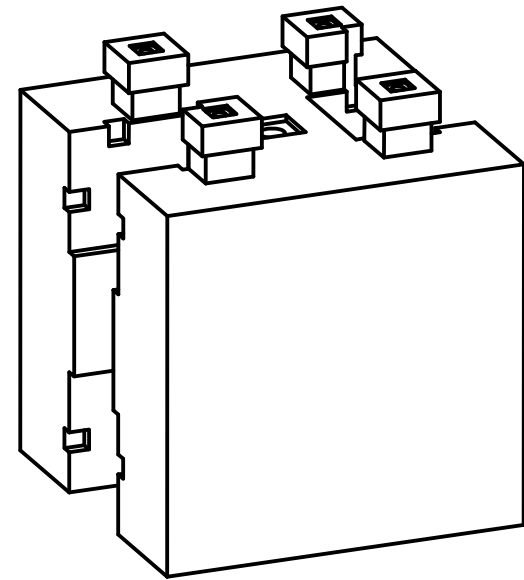
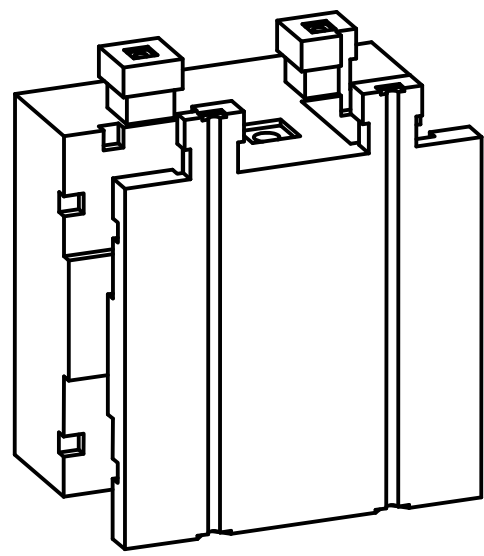
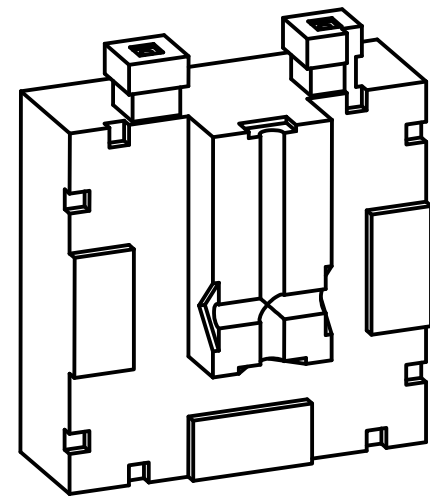
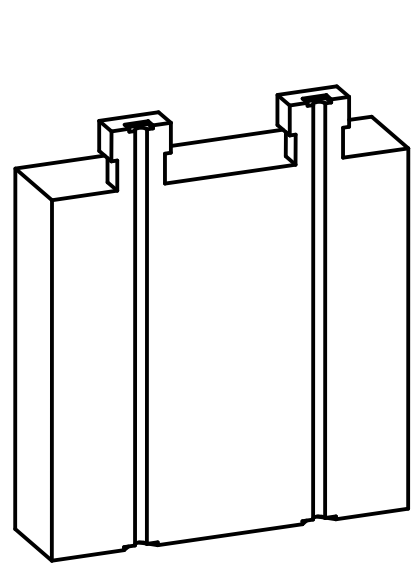
1

B

B

A

A

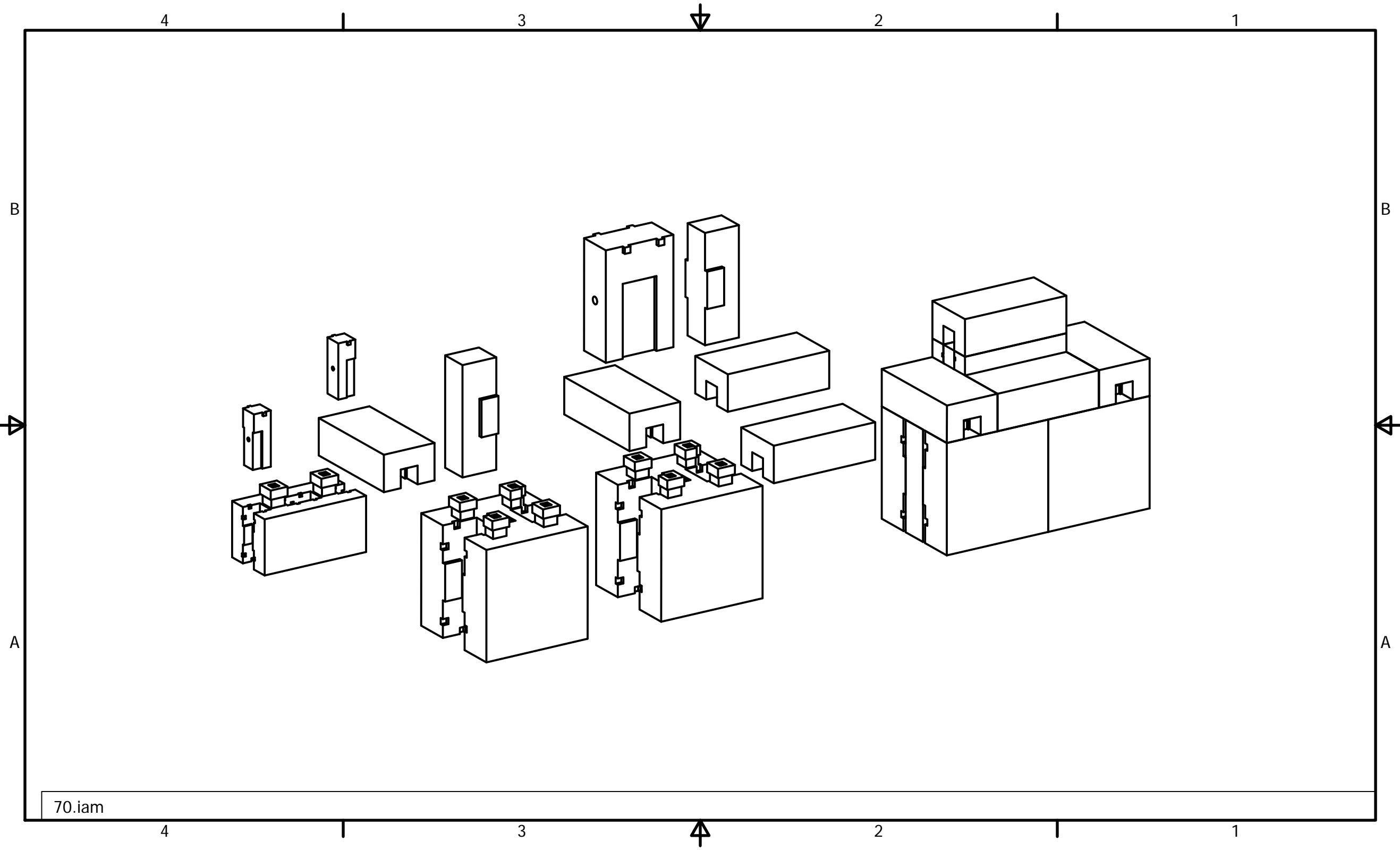


4

3

2

1



70.iam

4

3

2

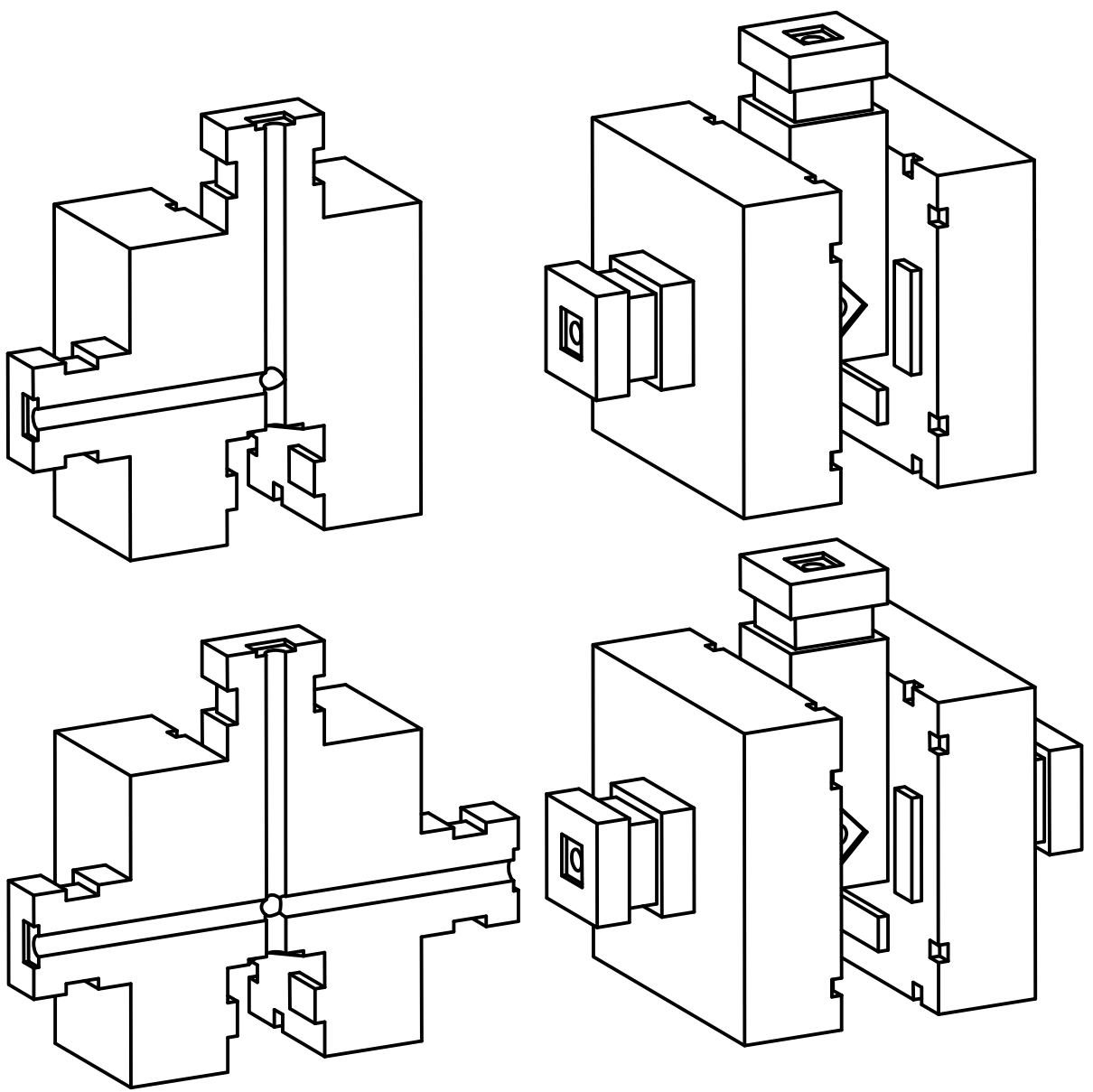
1

B

B

A

A

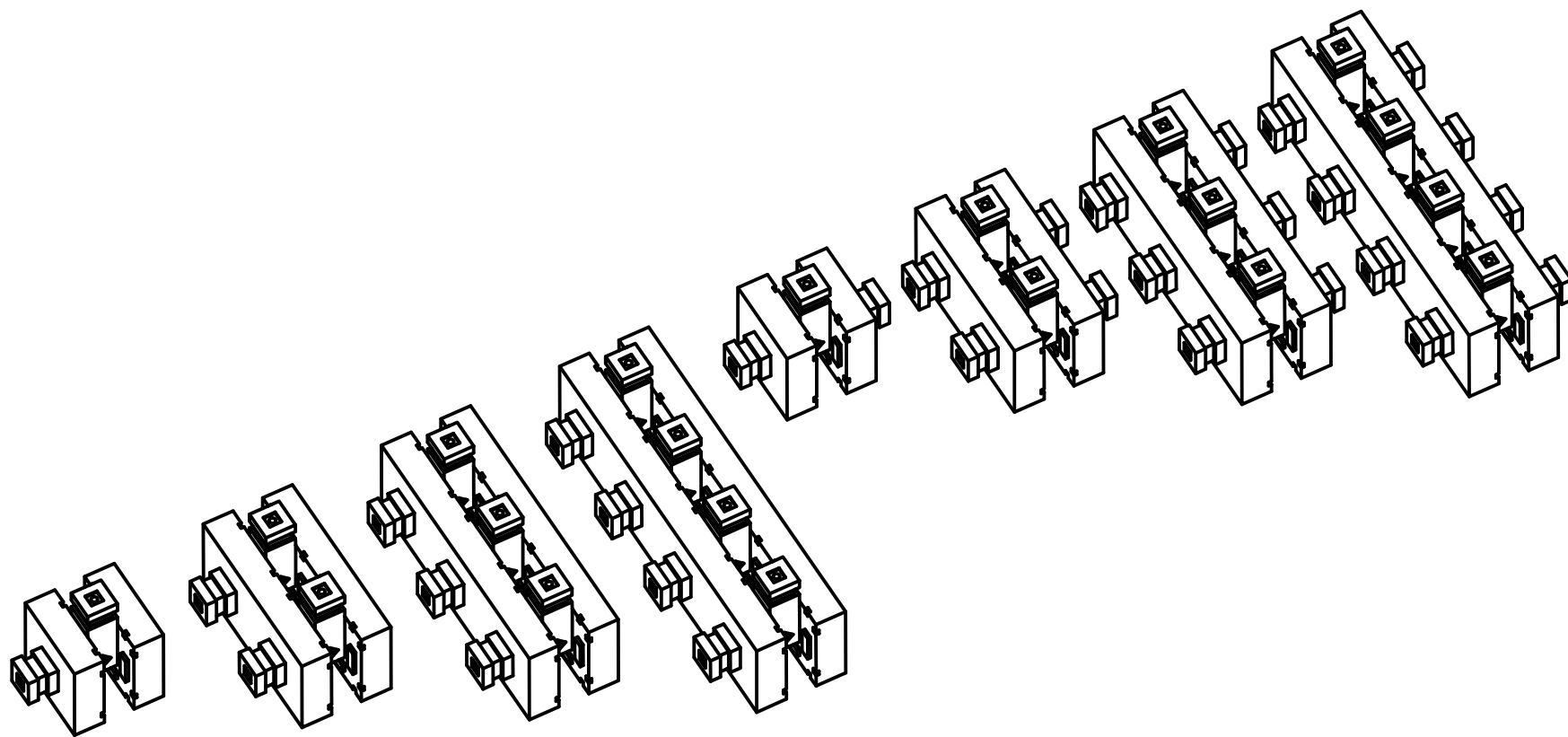


4

3

2

1



4

3

2

1

B

B

A

A



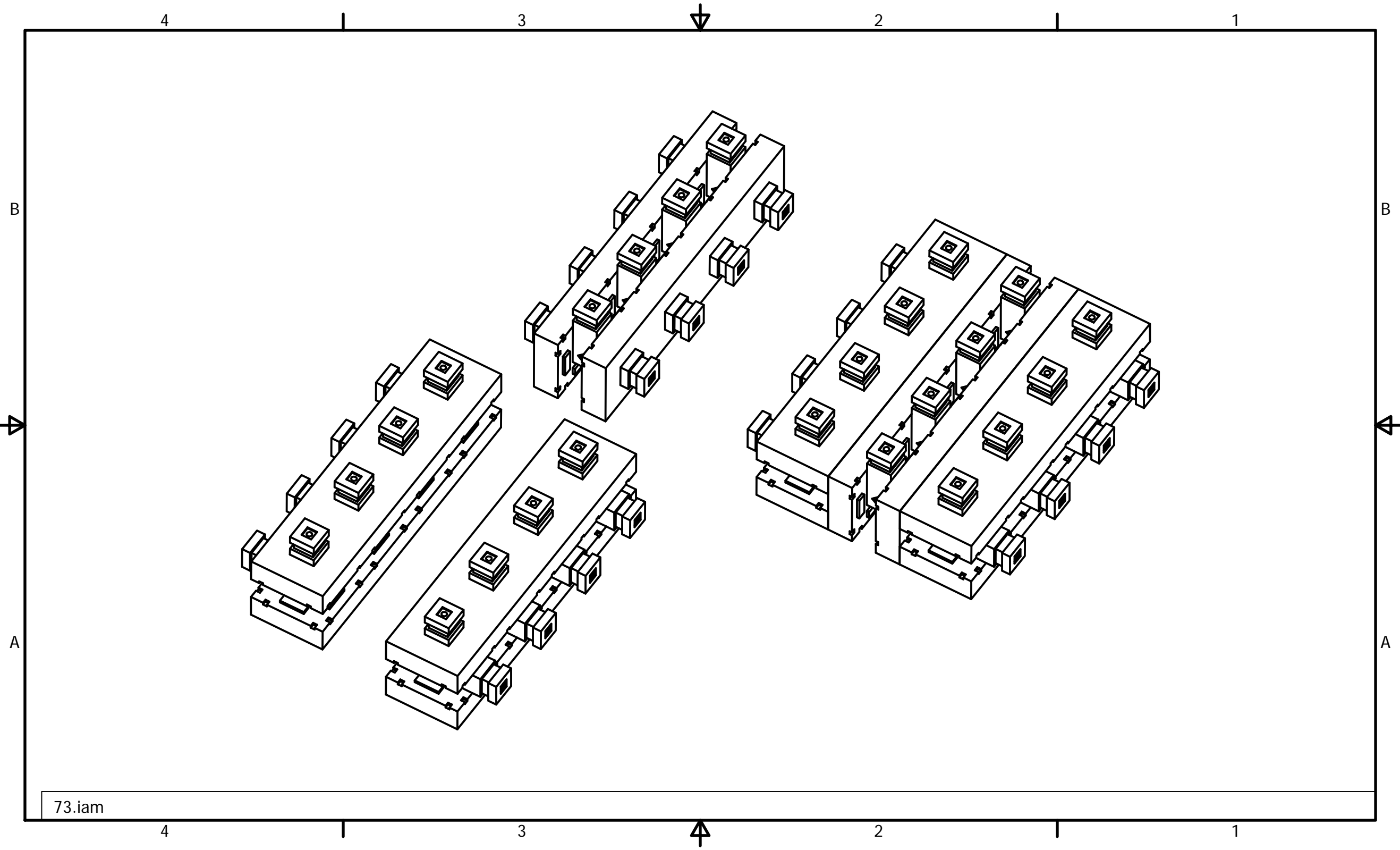
72.iam

4

3

2

1



73.iam

4

3

2

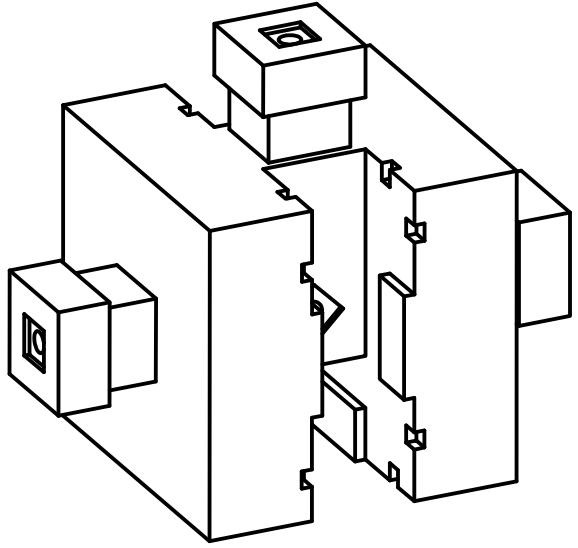
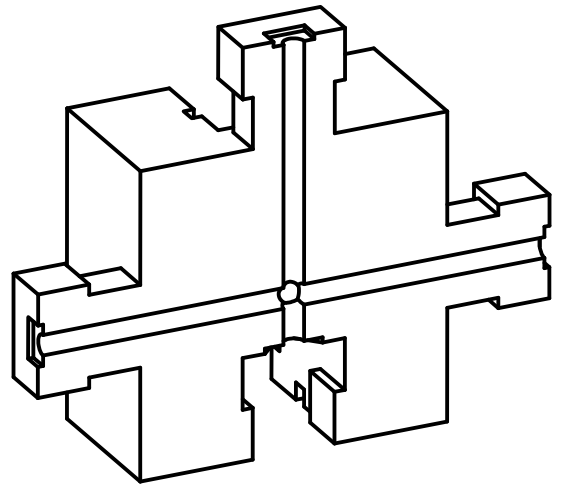
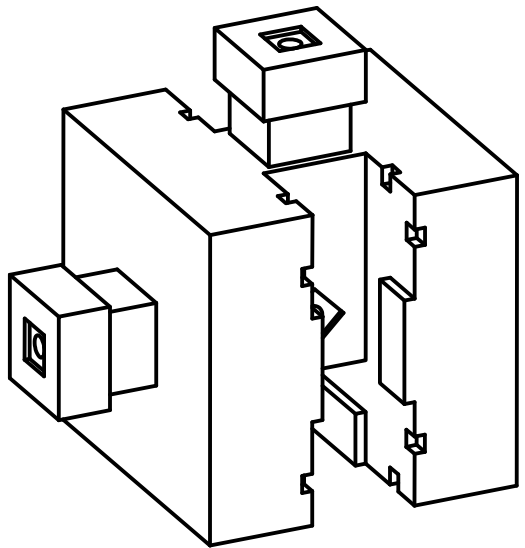
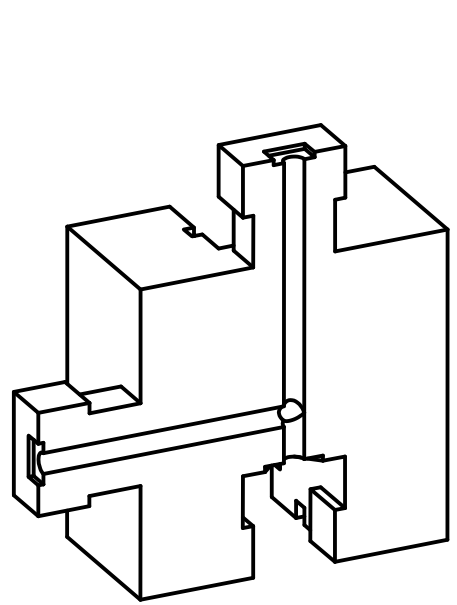
1

B

B

A

A



4

3

2

1

4

3

2

1

B

B

A

A

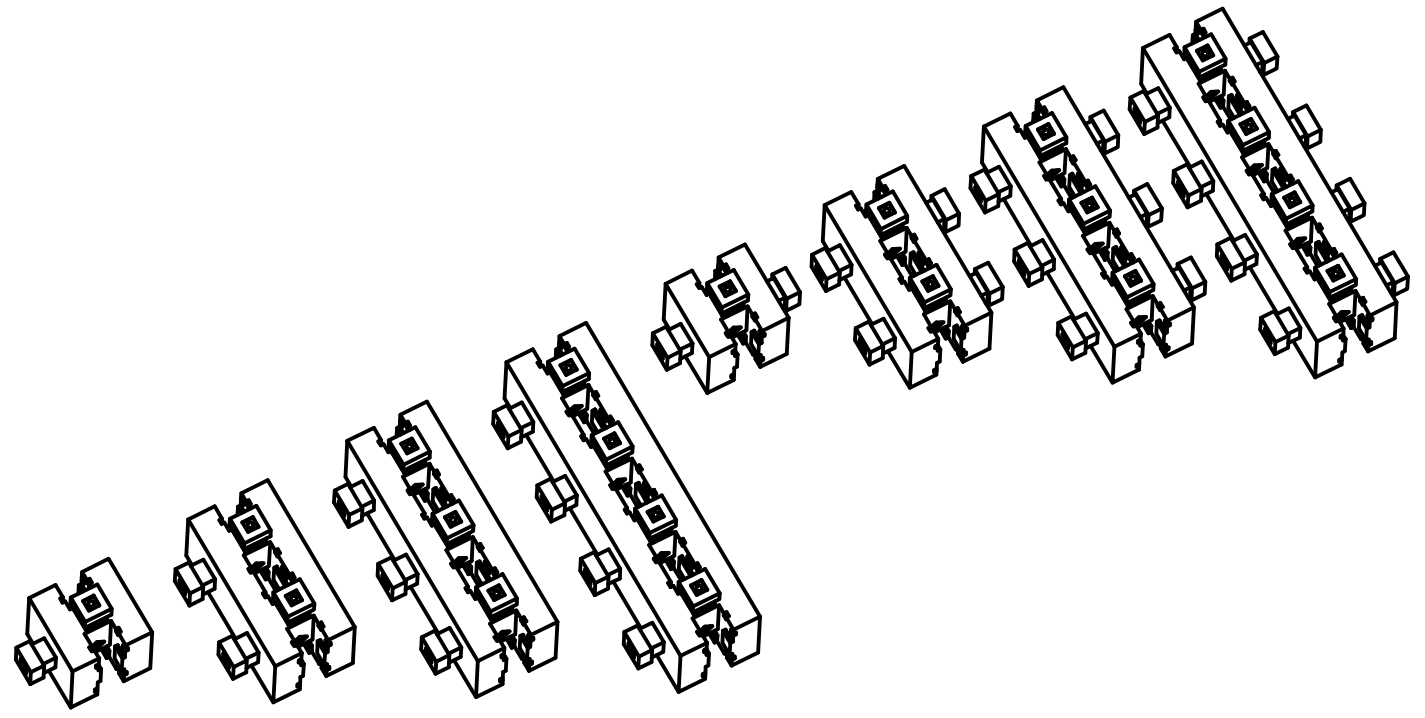
75.iam

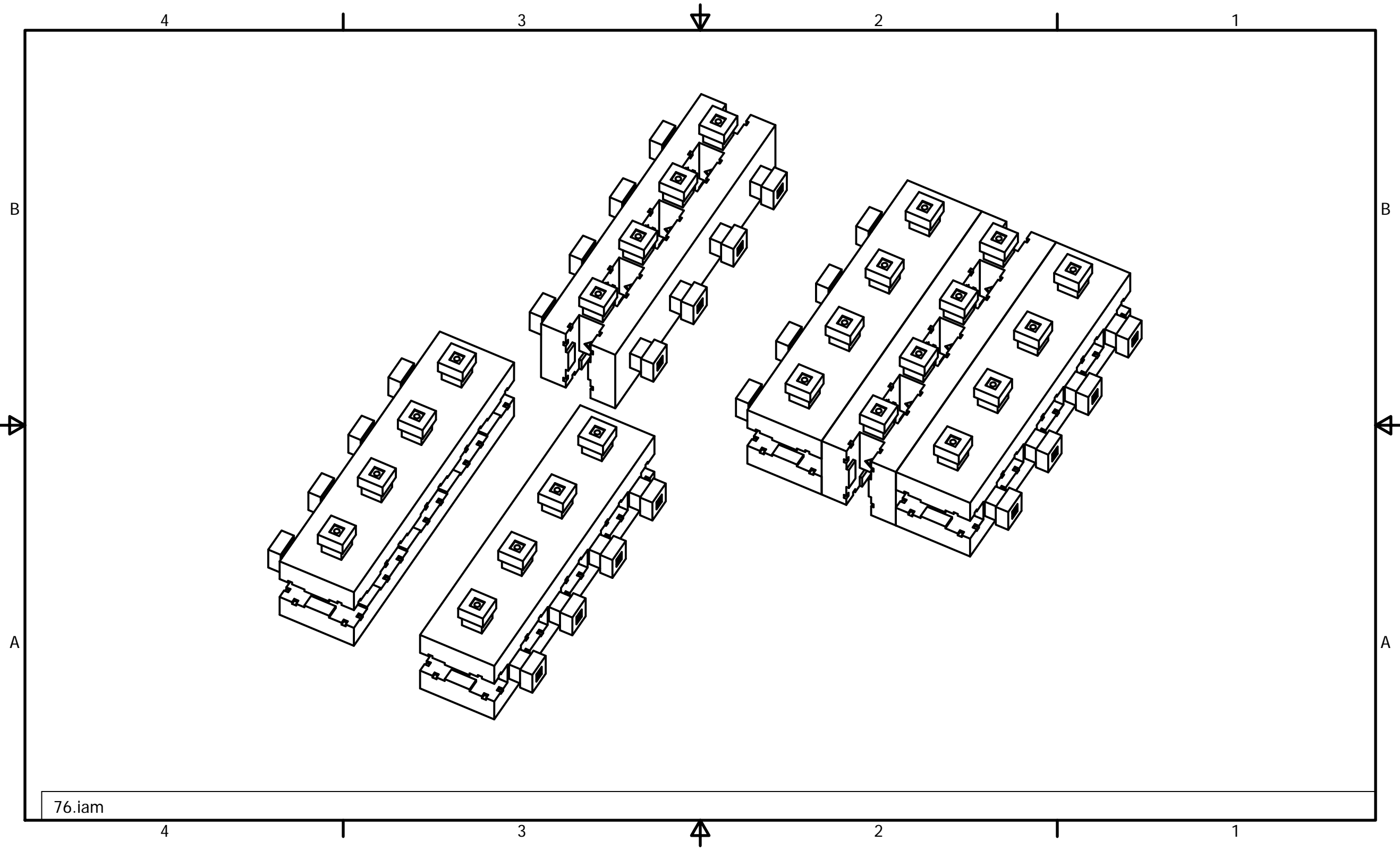
4

3

2

1





4

3

2

1

B

B

A

A

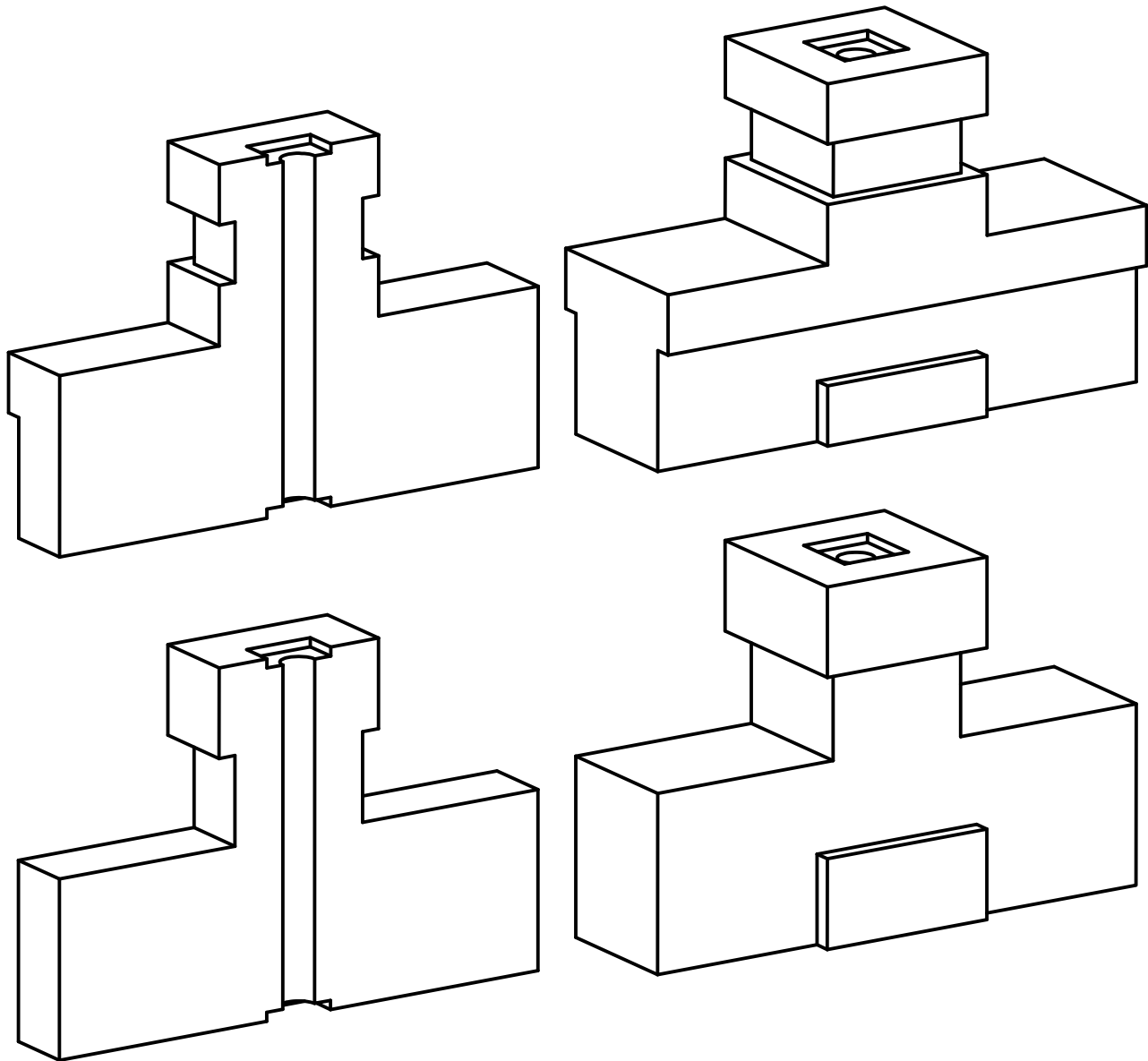
77.iam

4

3

2

1



4

3

2

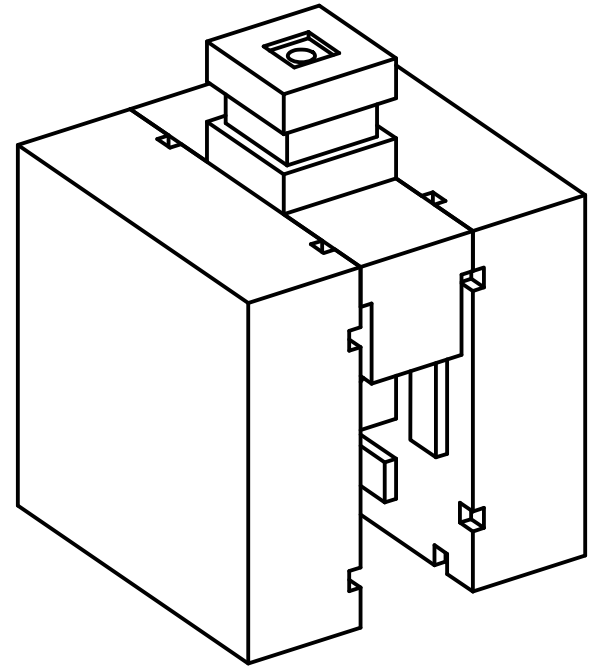
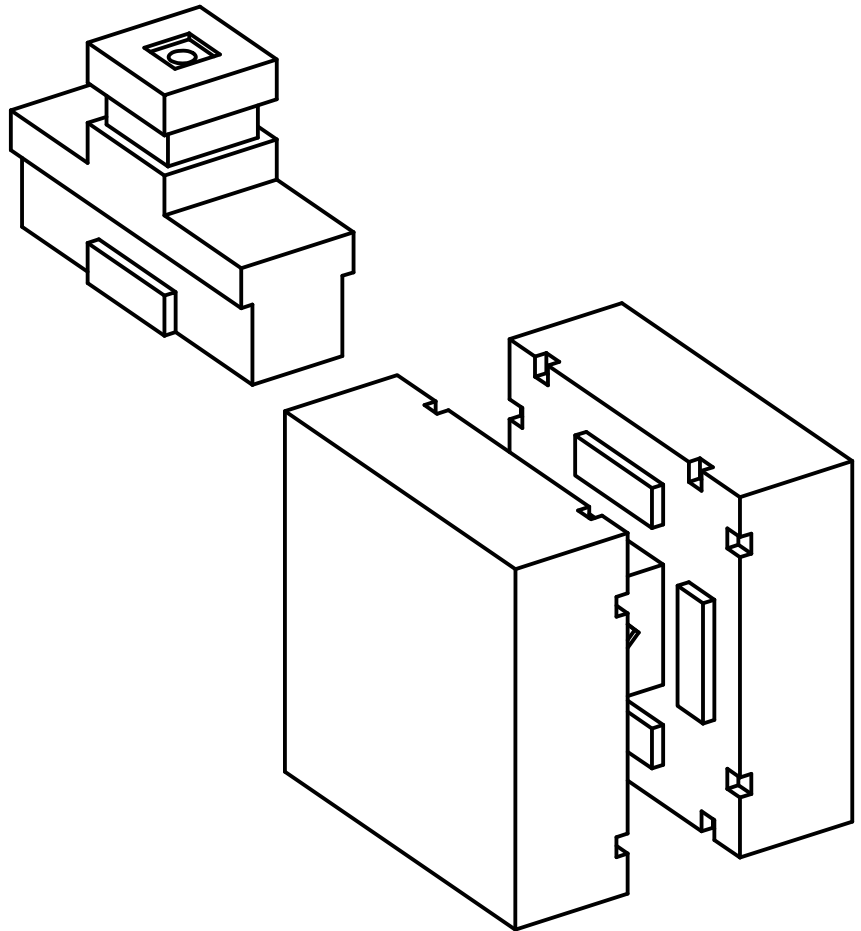
1

B

B

A

A



78.iam

4

3

2

1

4

3

2

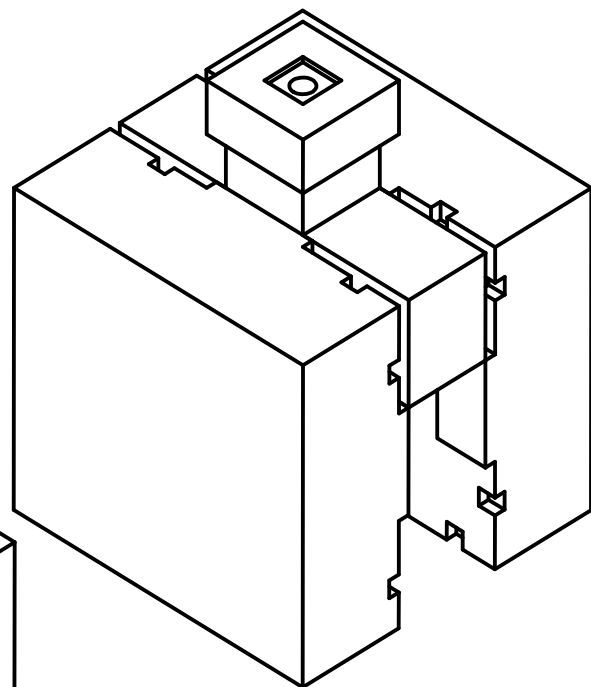
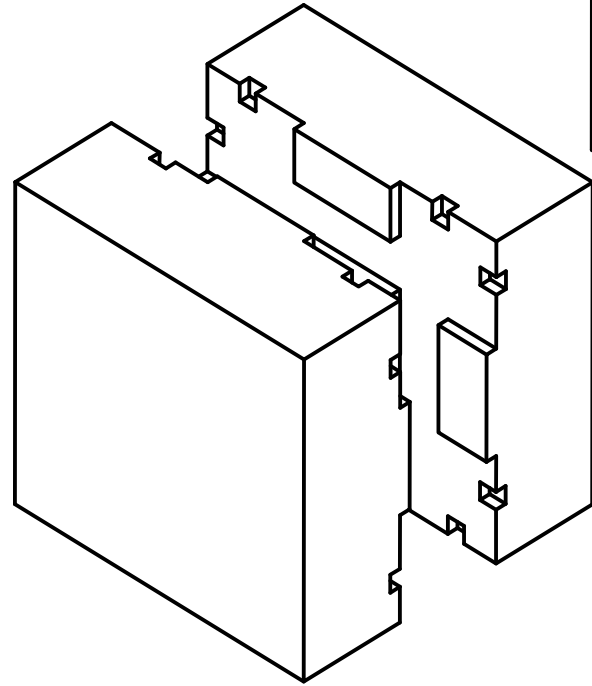
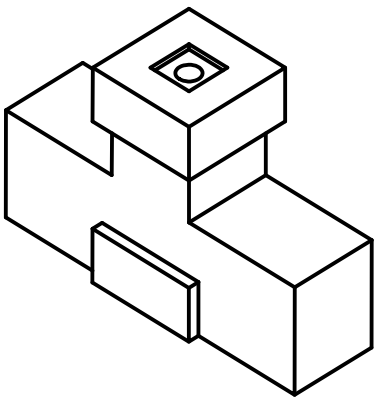
1

B

B

A

A



79.iam

4

3

2

1

4

3

2

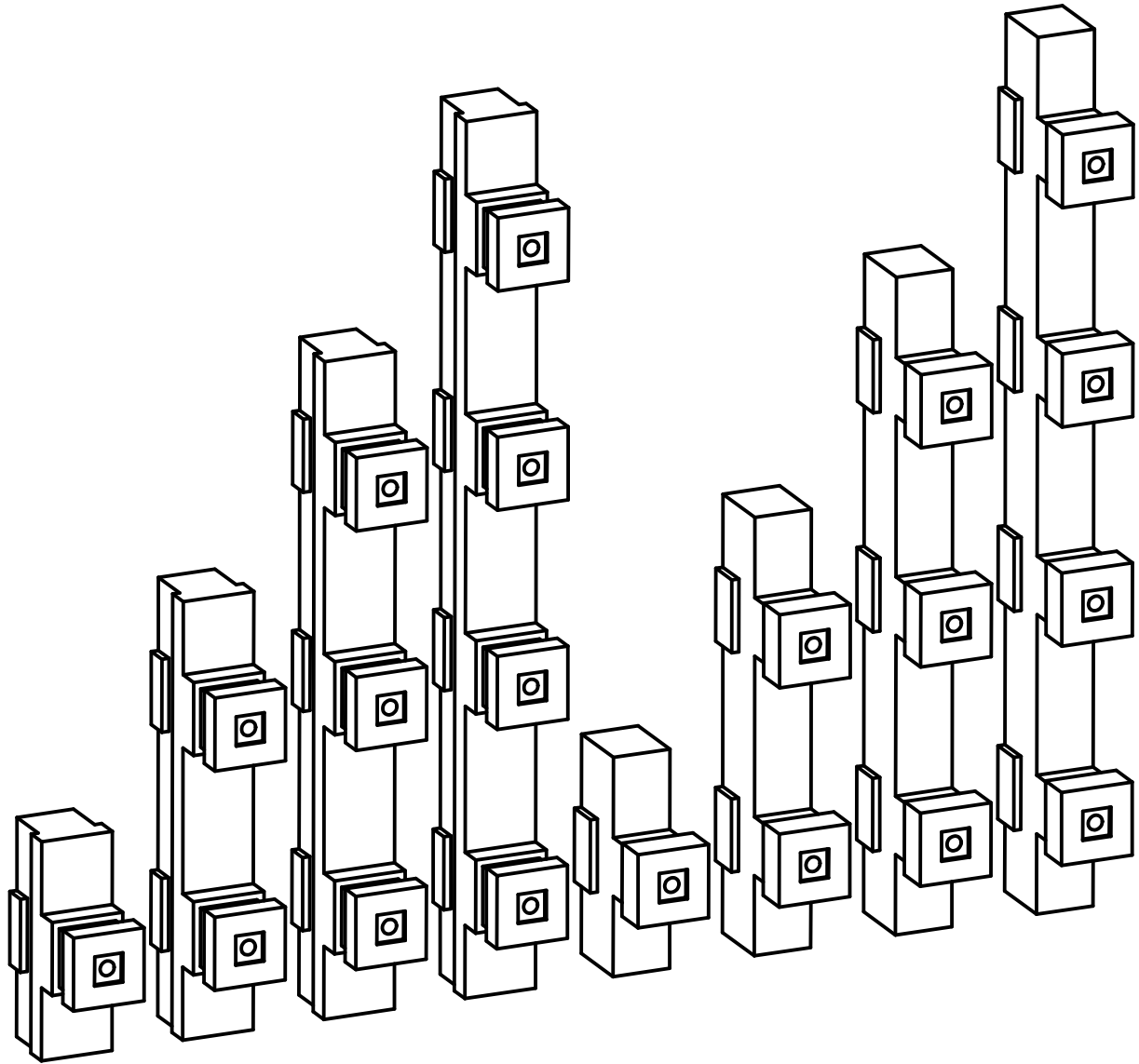
1

B

B

A

A



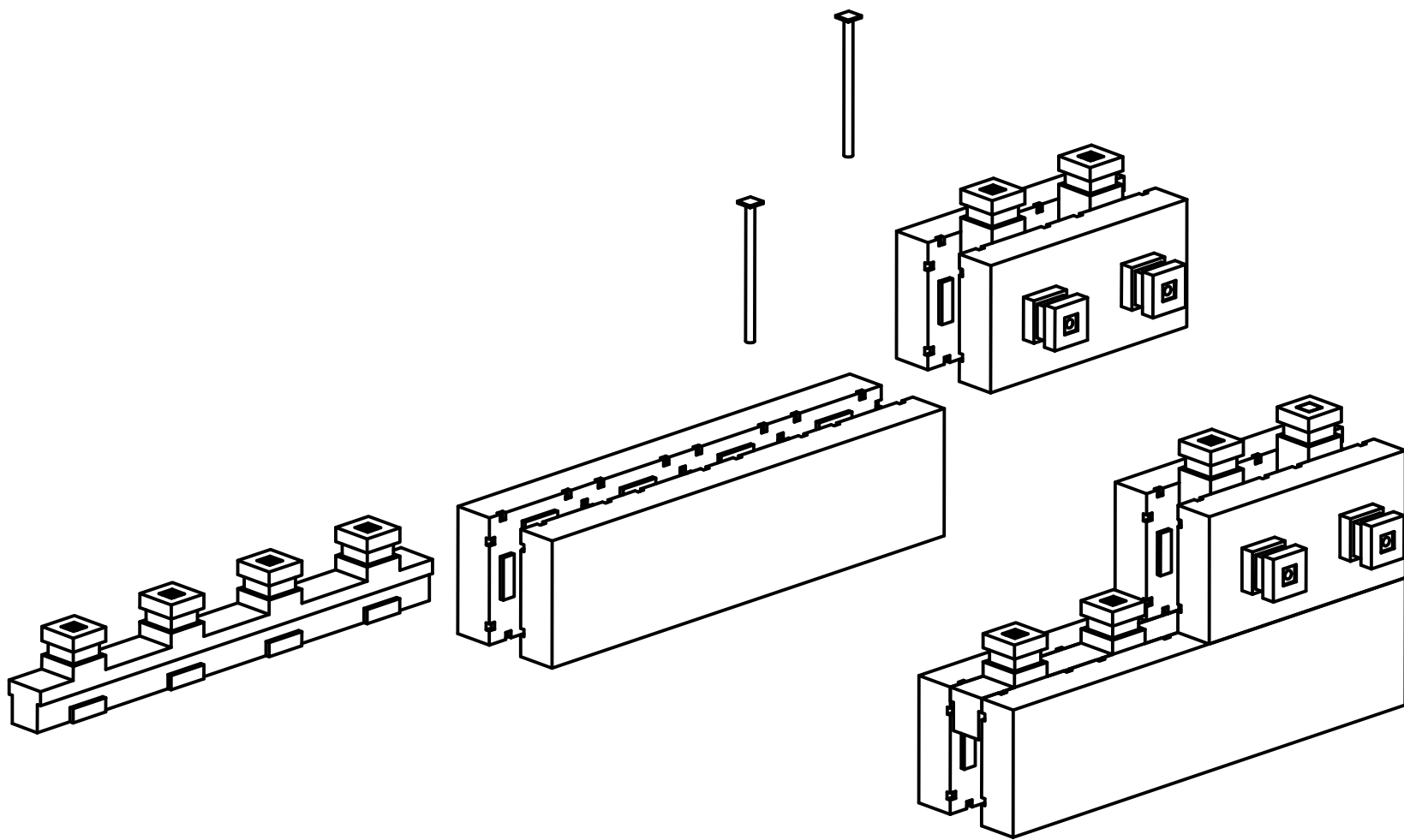
80.iam

4

3

2

1



4

3

2

1

B

B

A

A



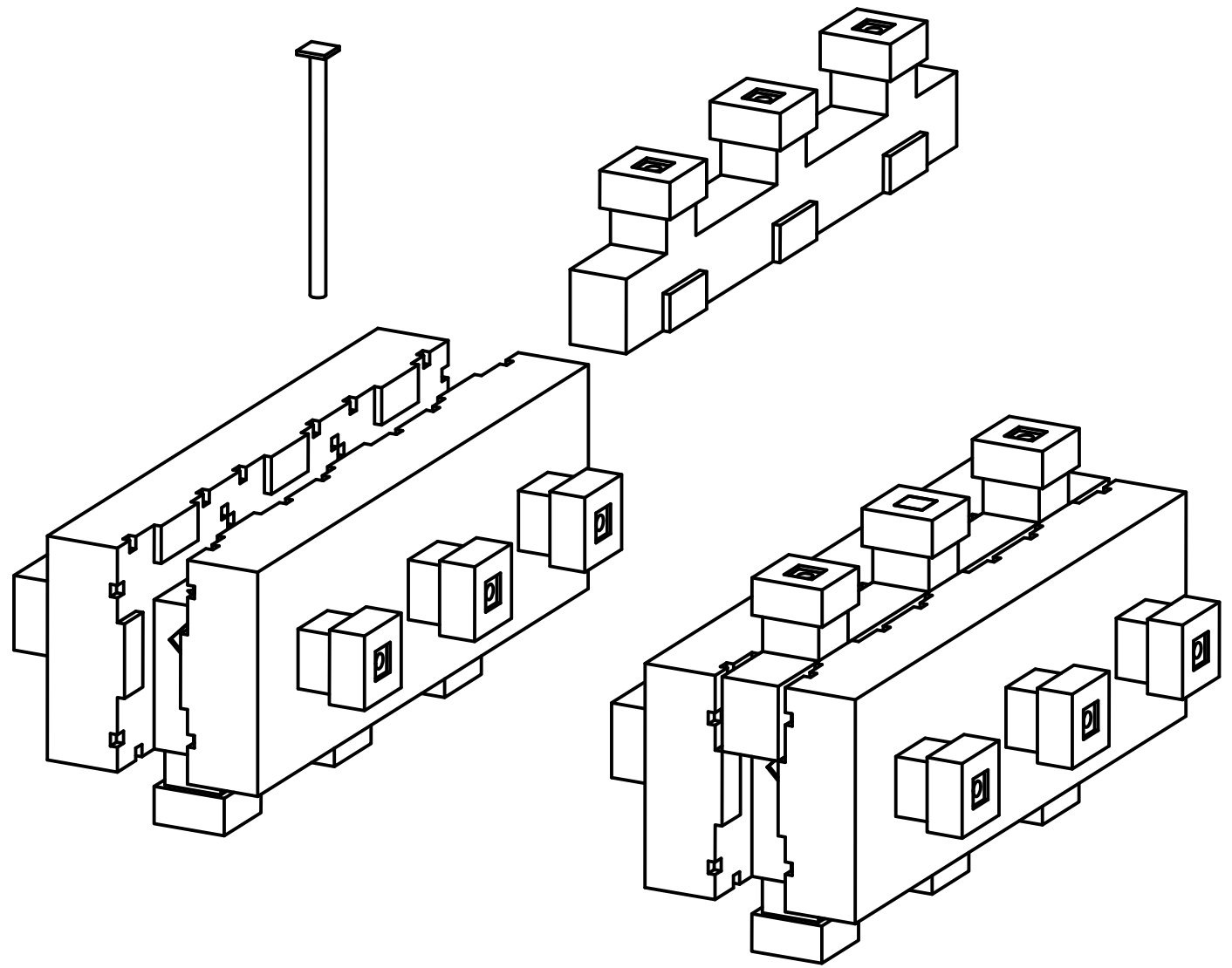
4

3

2

1

82.iam



4

3

2

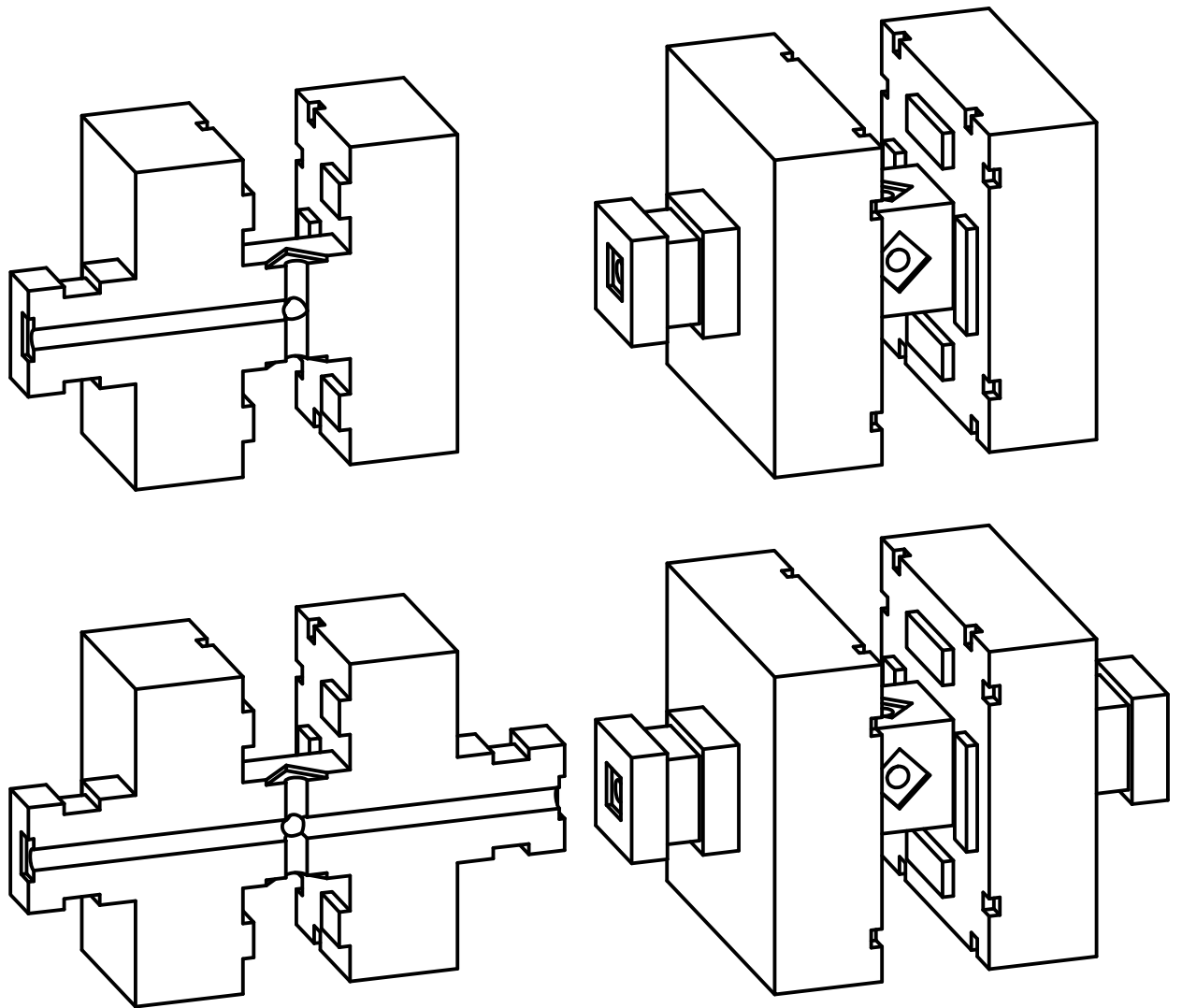
1

B

B

A

A



4

3

2

1

4

3

2

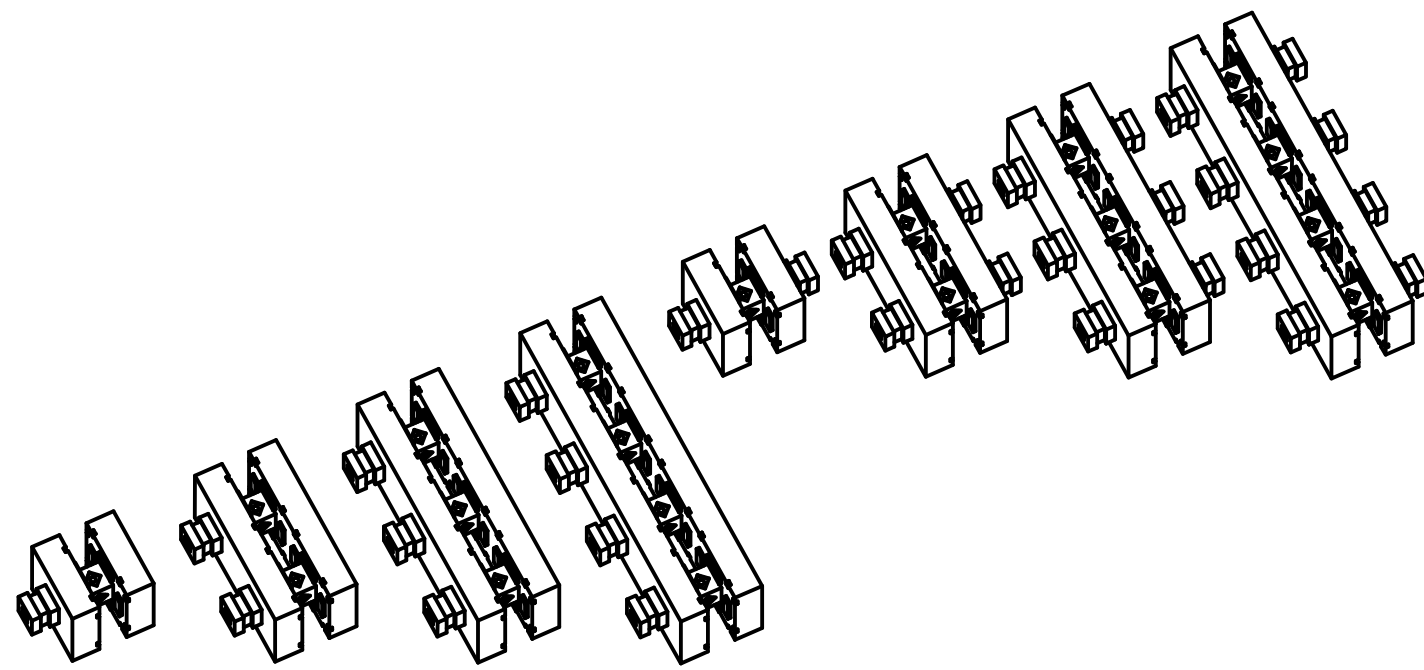
1

B

B

A

A



84.iam

4

3

2

1

4

3

2

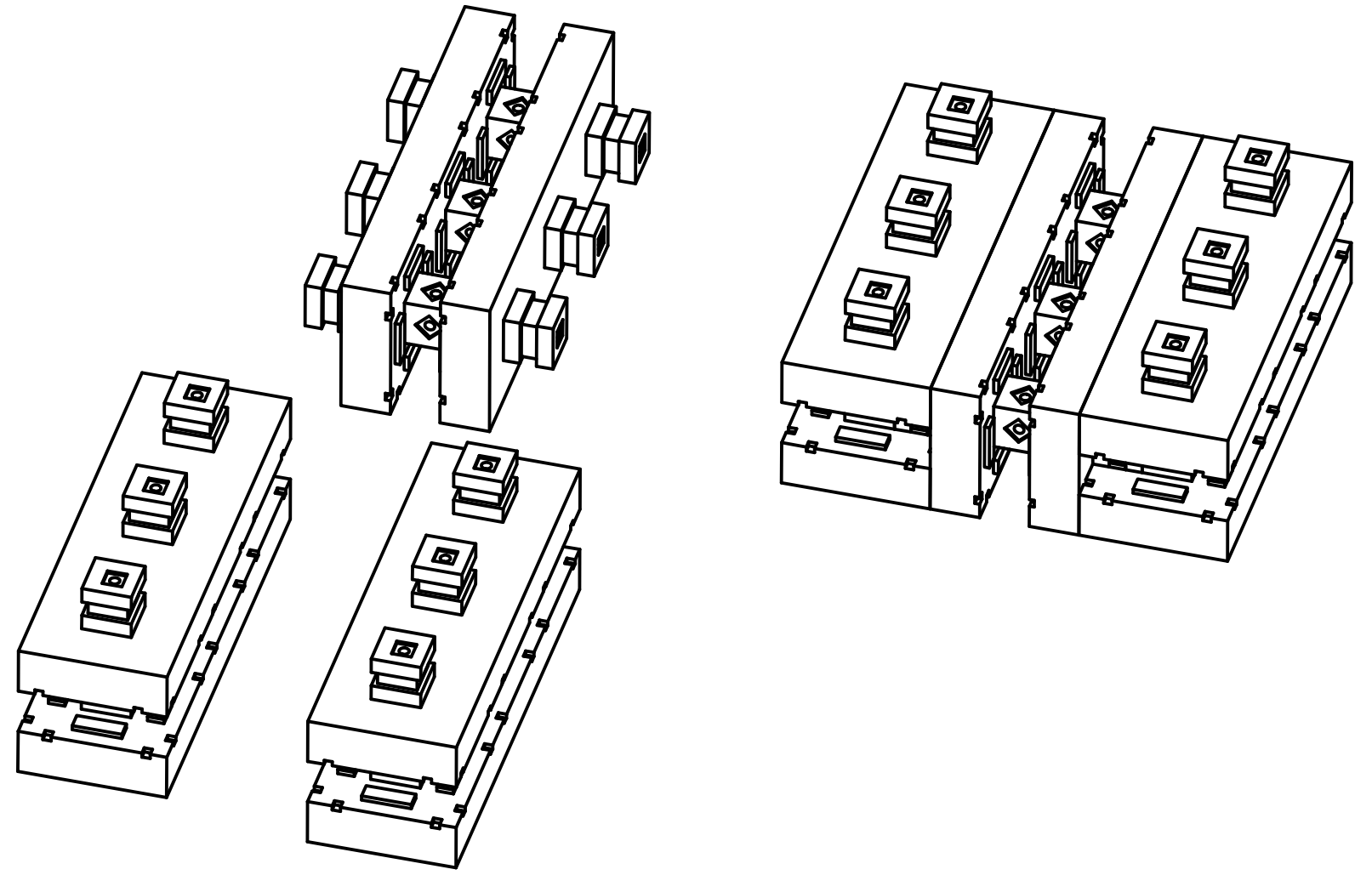
1

B

B

A

A



4

3

2

1

4

3

2

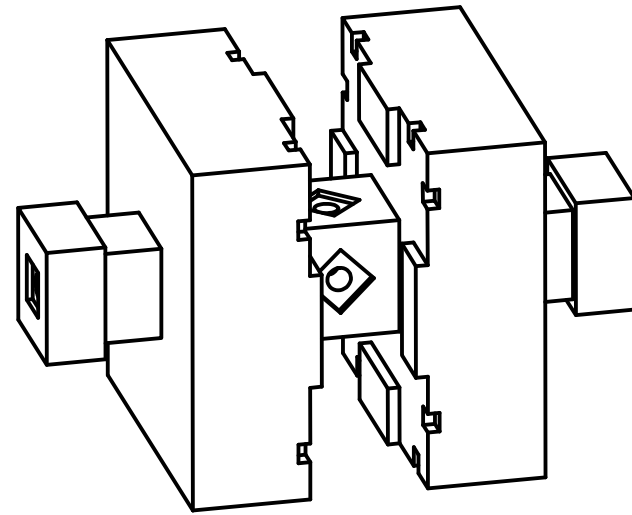
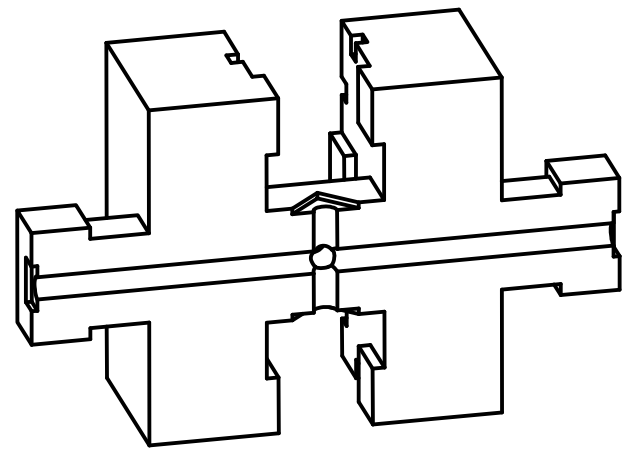
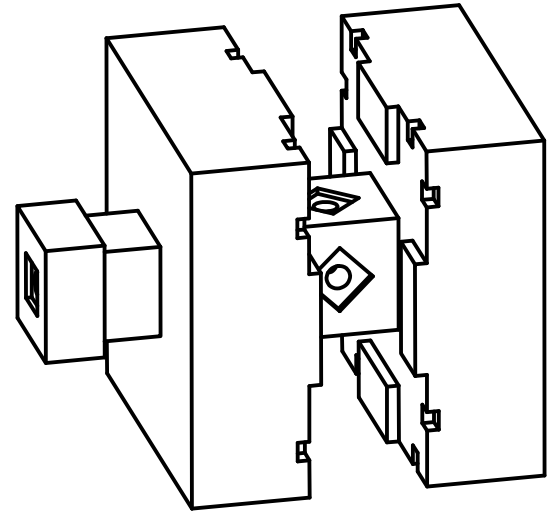
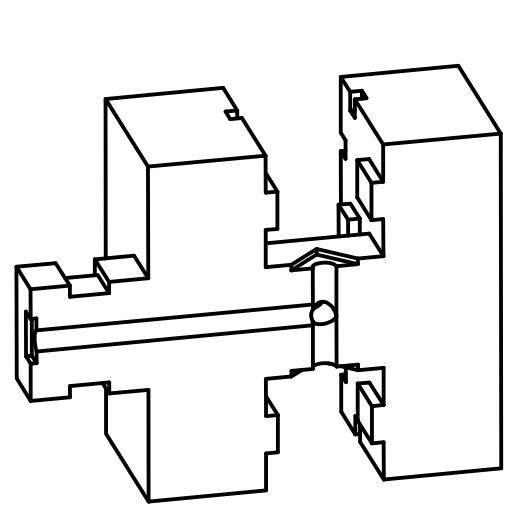
1

B

B

A

A



4

3

2

1

4

3

2

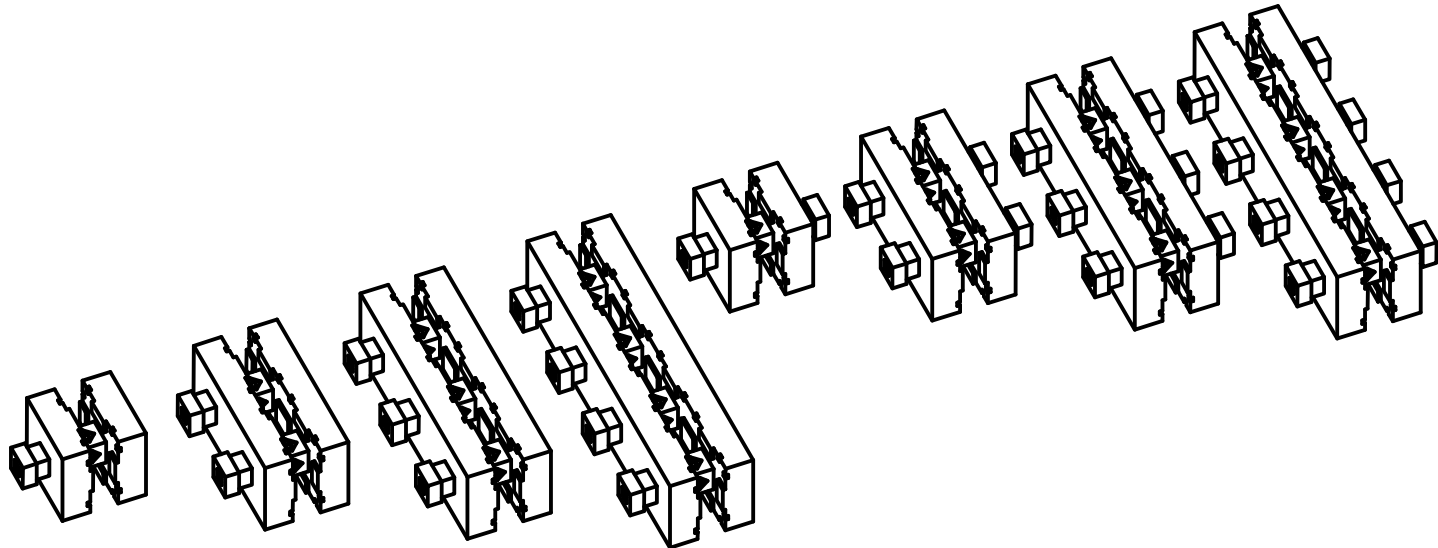
1

B

B

A

A



87.iam

4

3

2

1

4

3

2

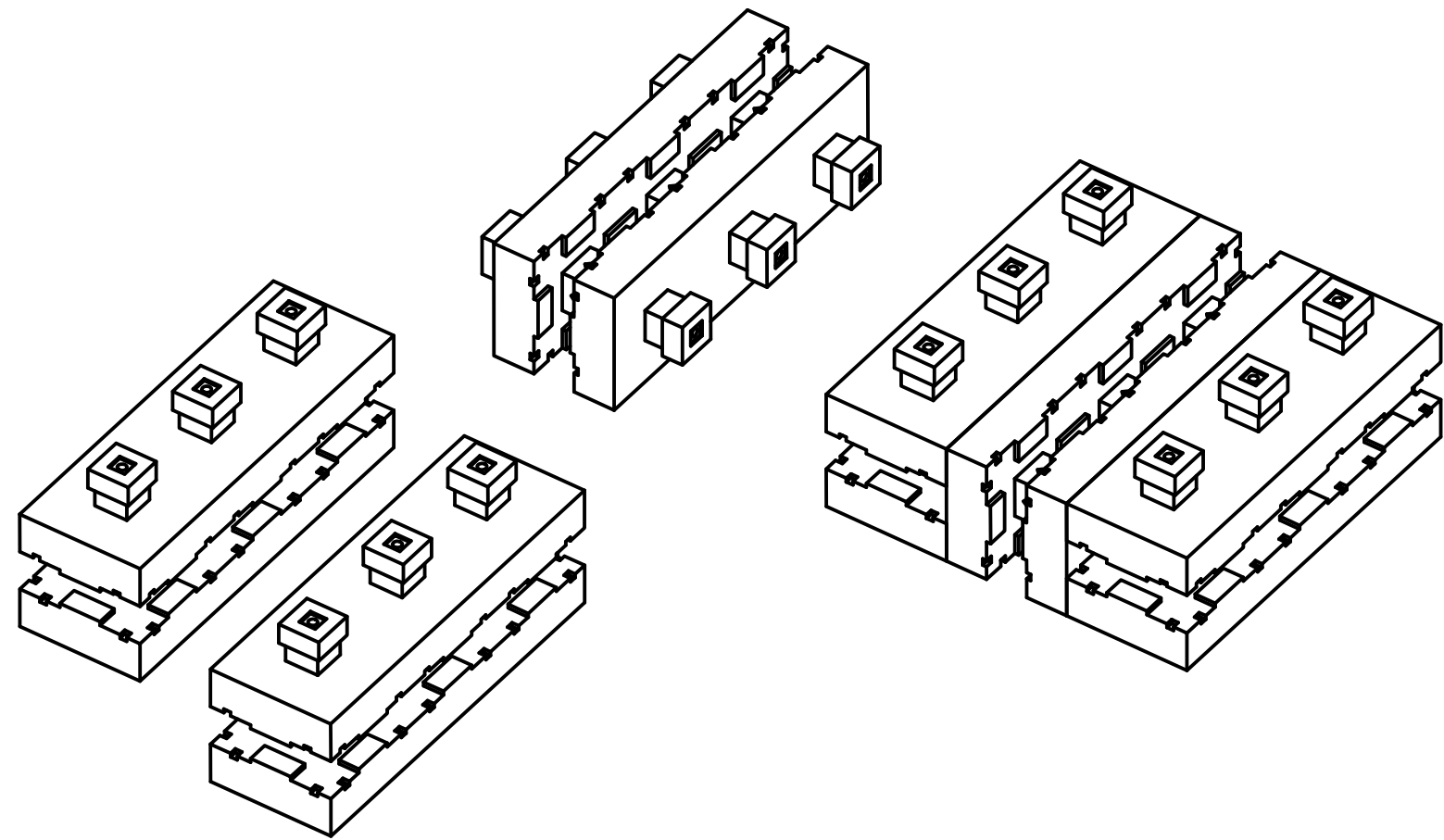
1

B

B

A

A



88.iam

4

3

2

1

4

3

2

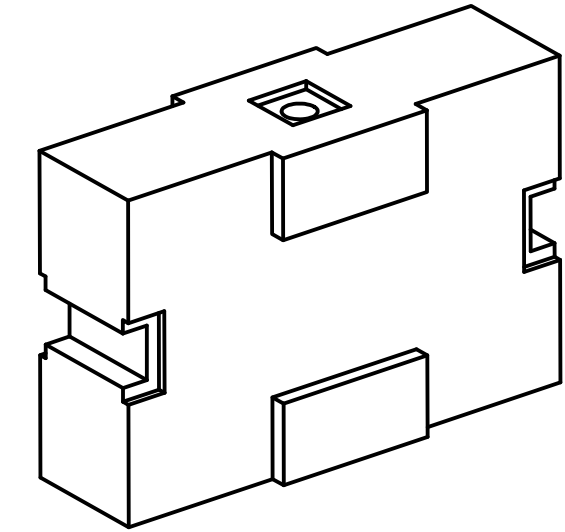
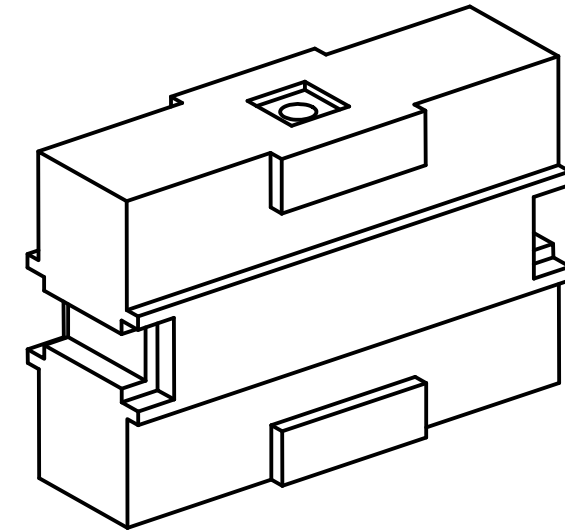
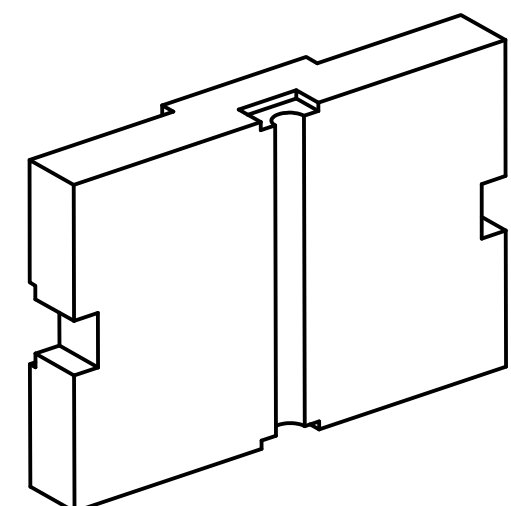
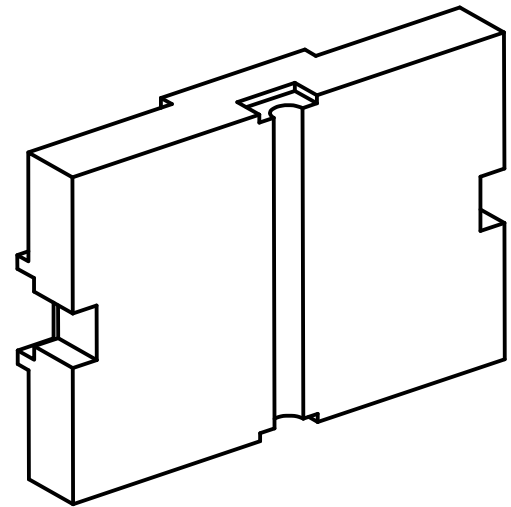
1

B

B

A

A



4

3

2

1

4

3

2

1

B

B

A

A

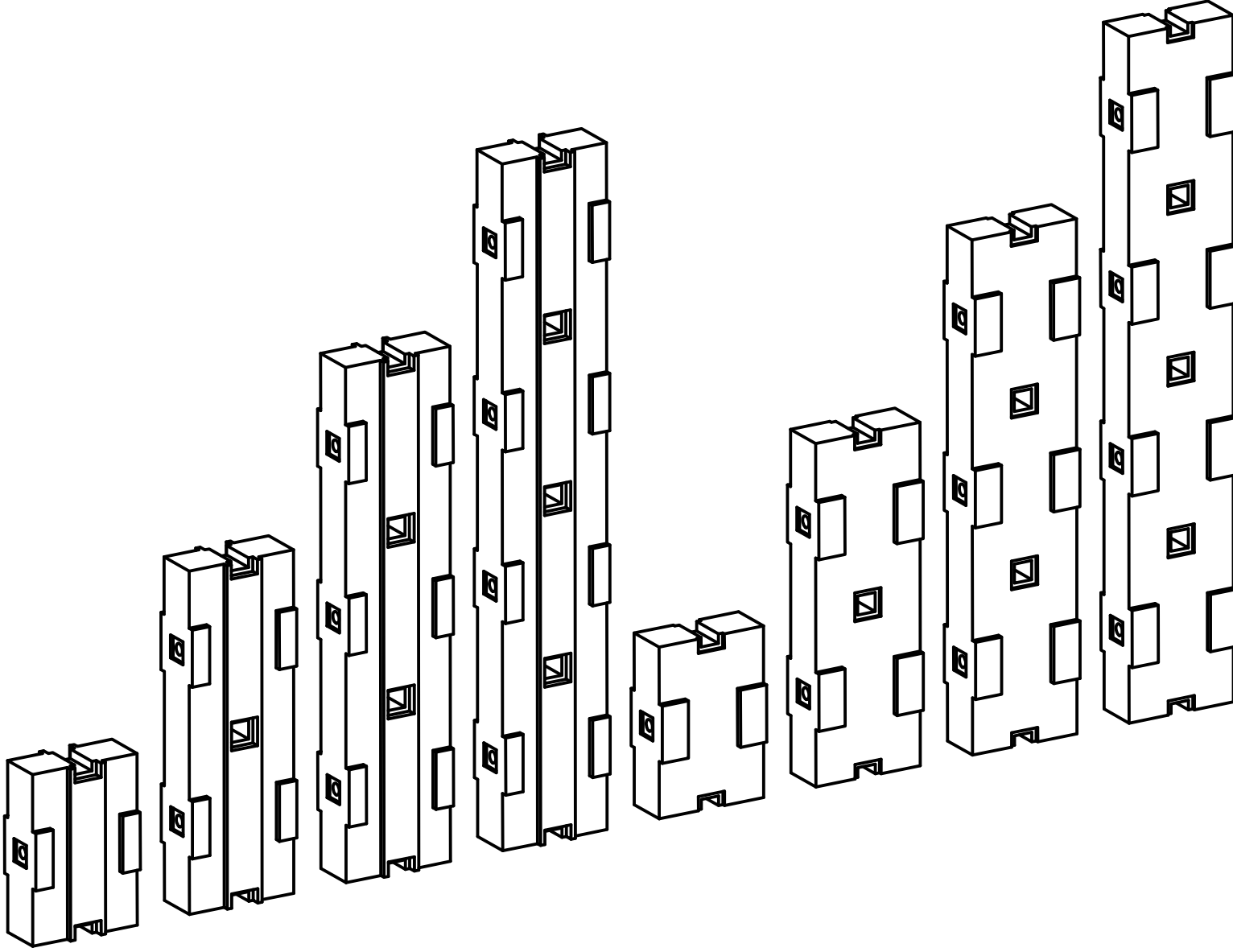
90.iam

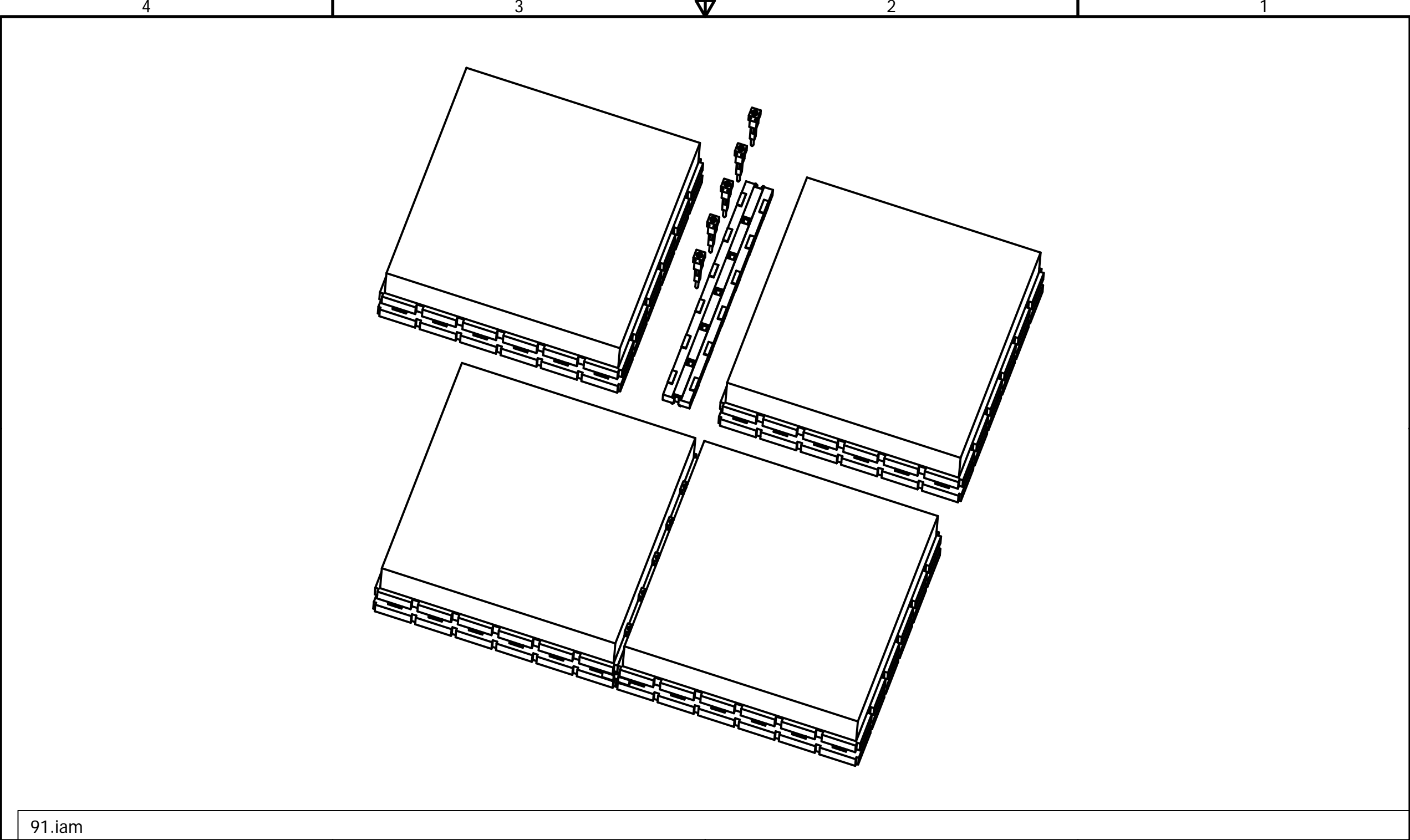
4

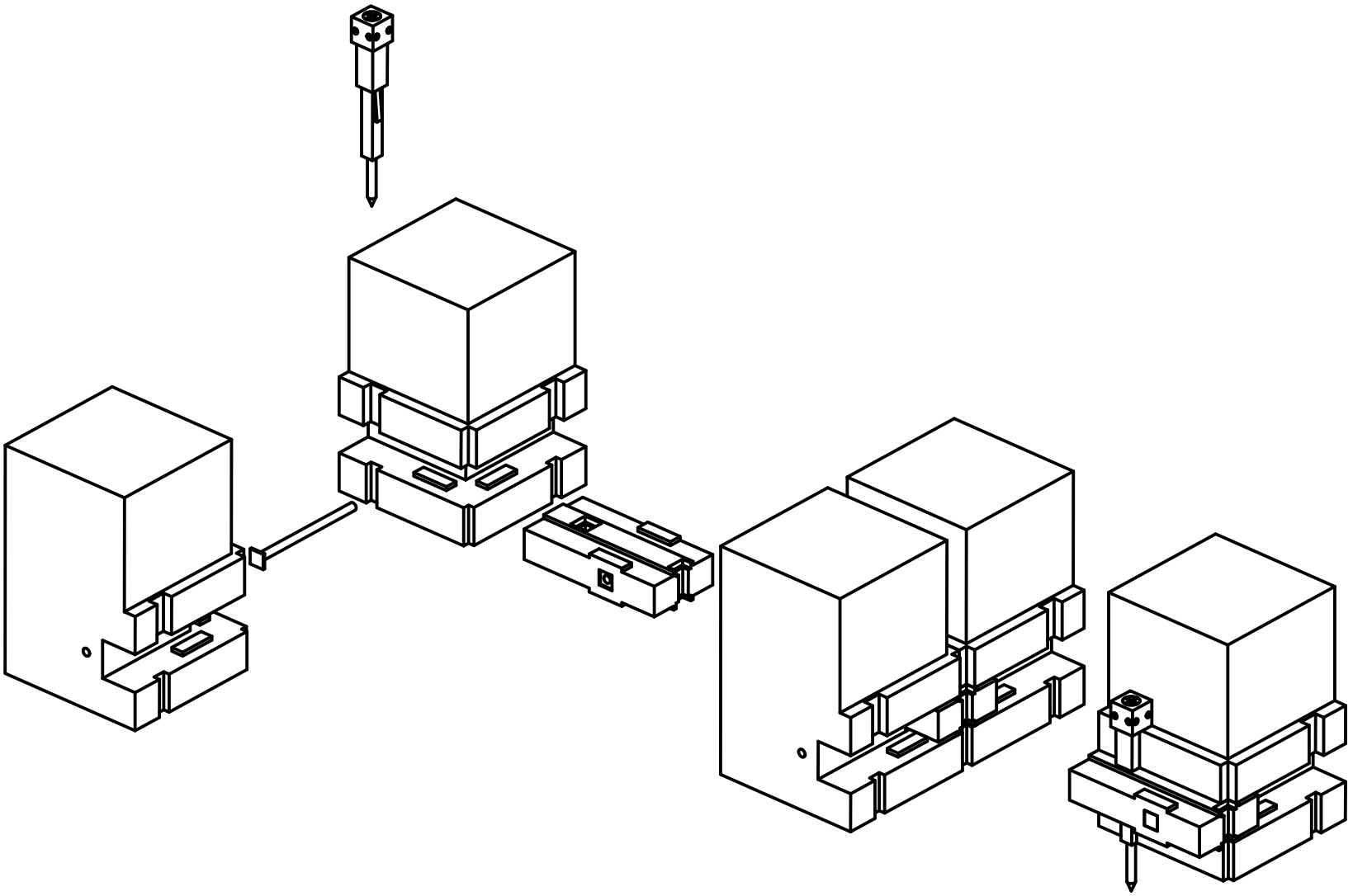
3

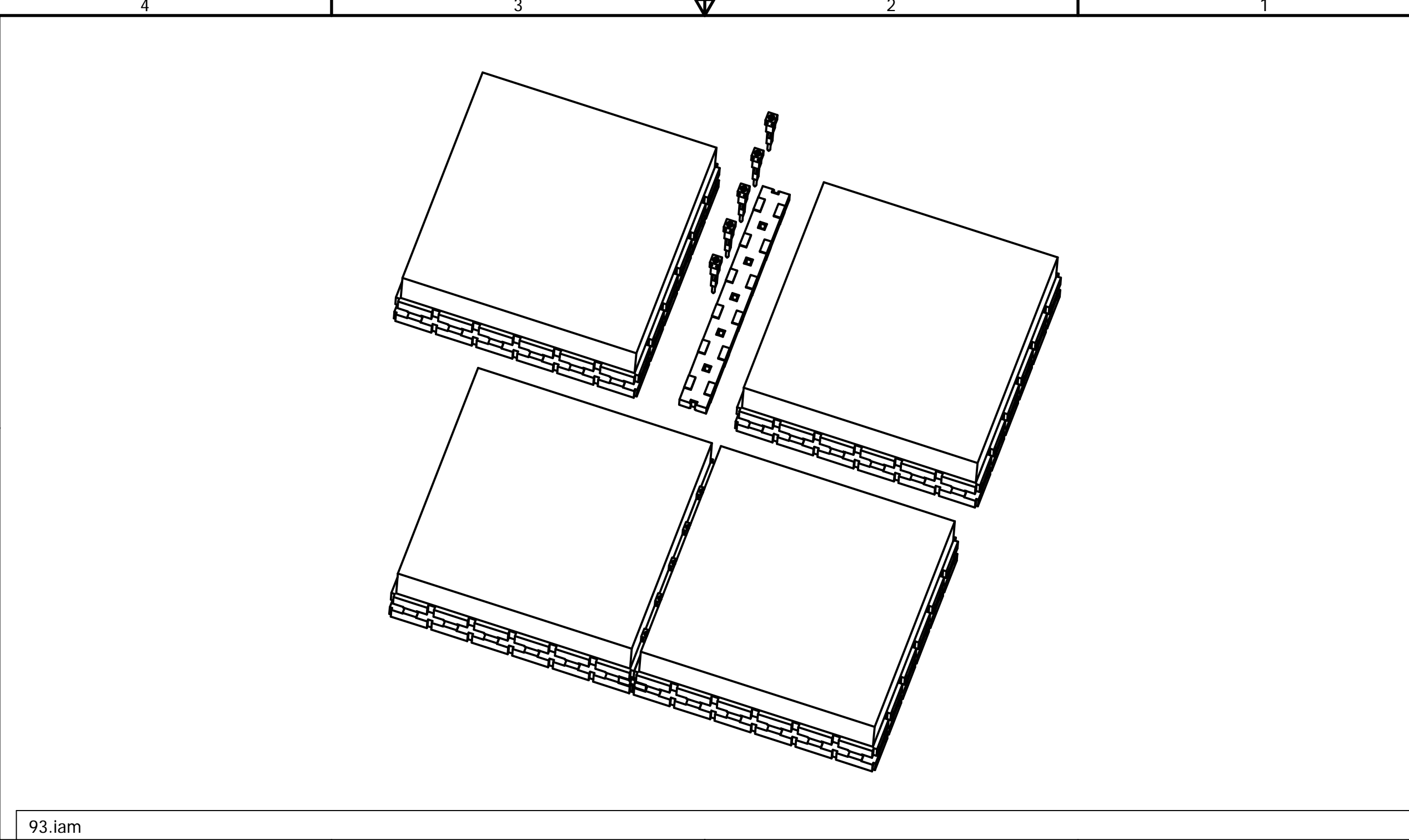
2

1

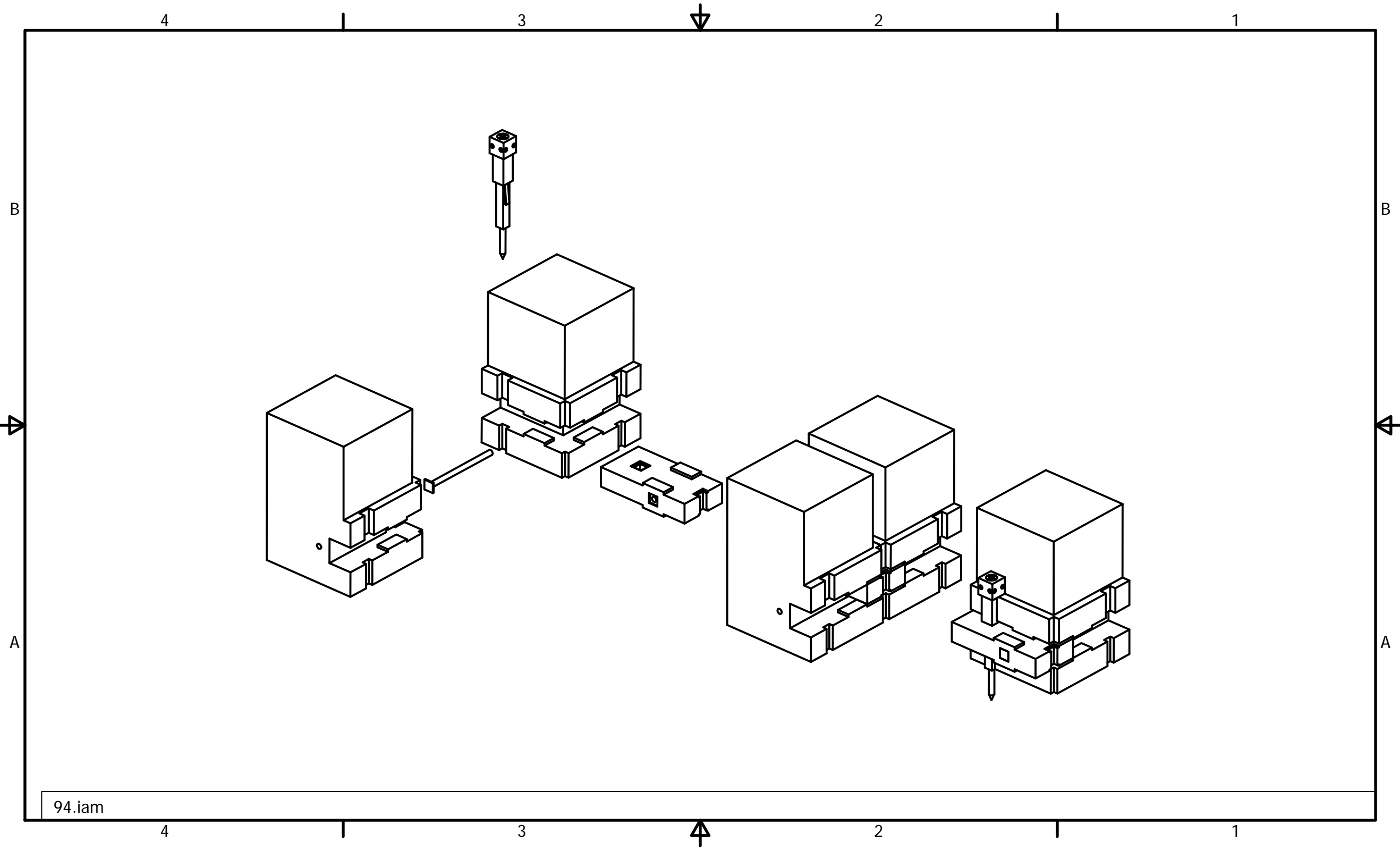


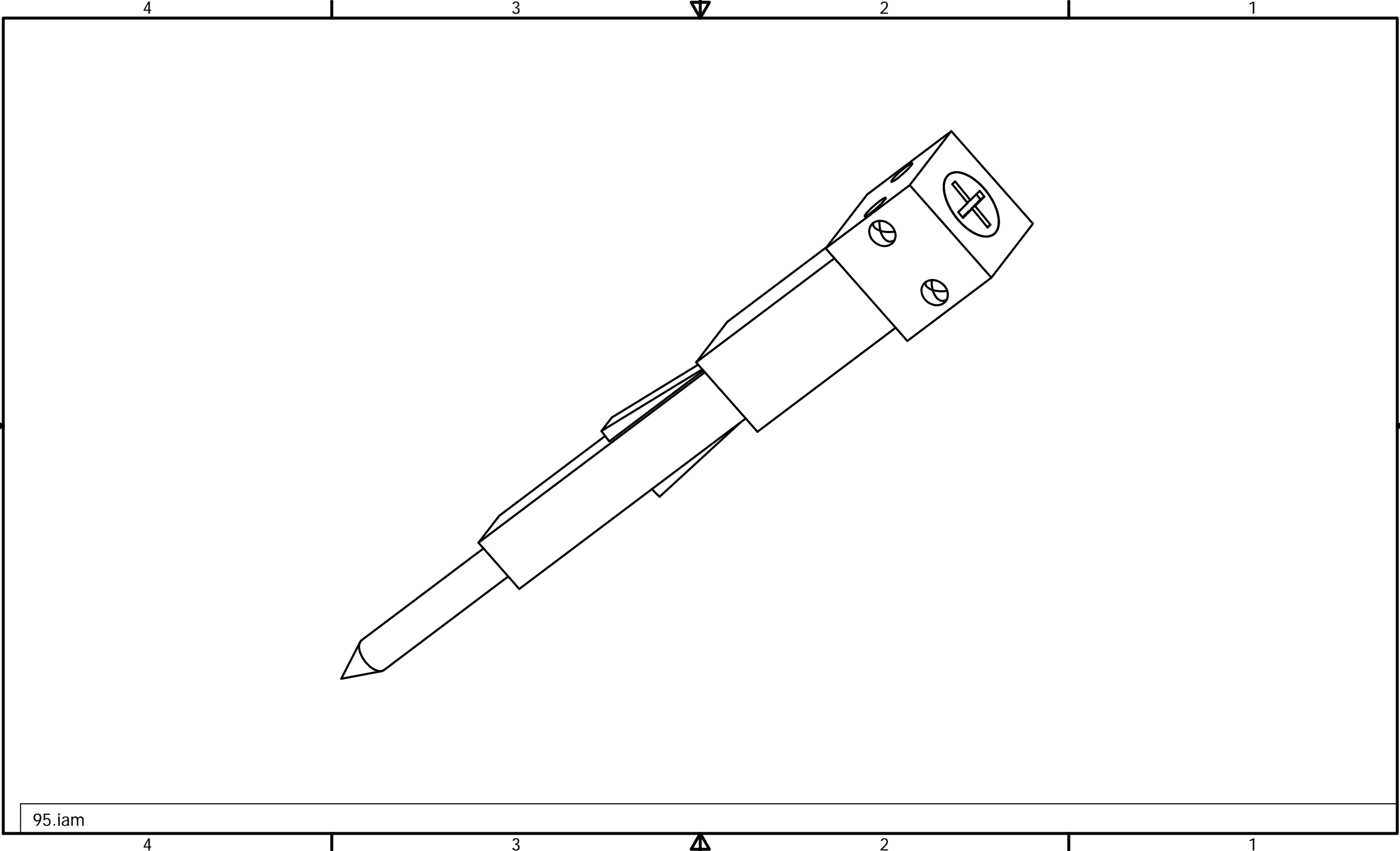






93.iam





95.iam

4

3

2

1

B

B

A

A

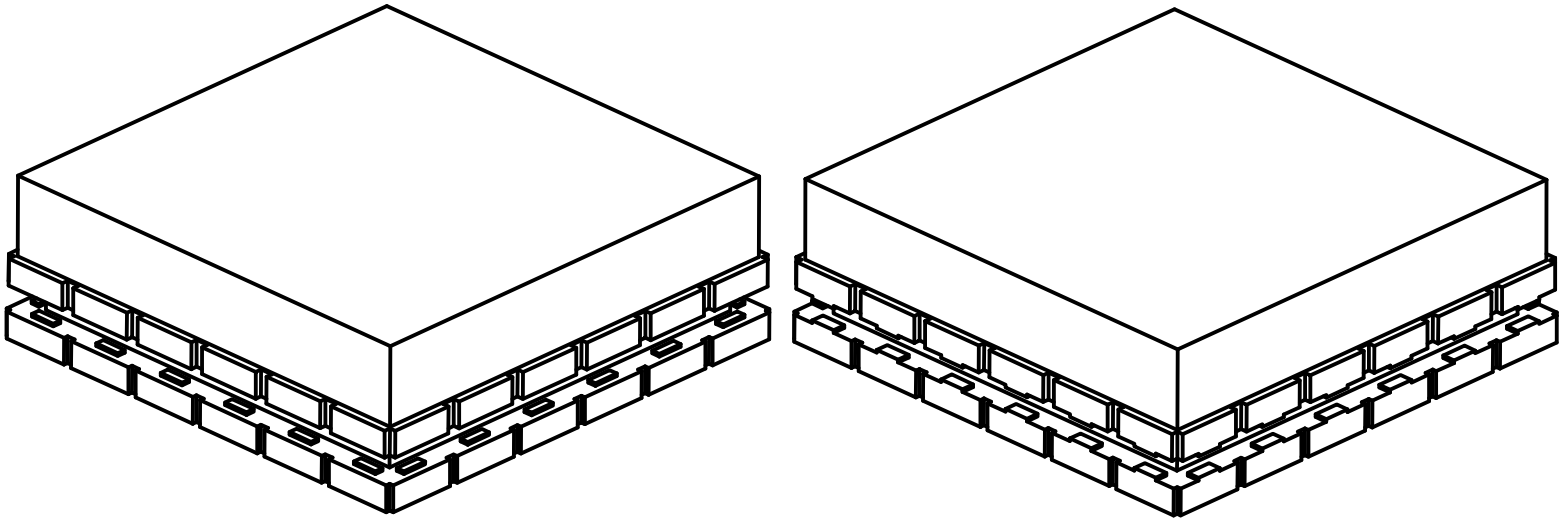
96.iam

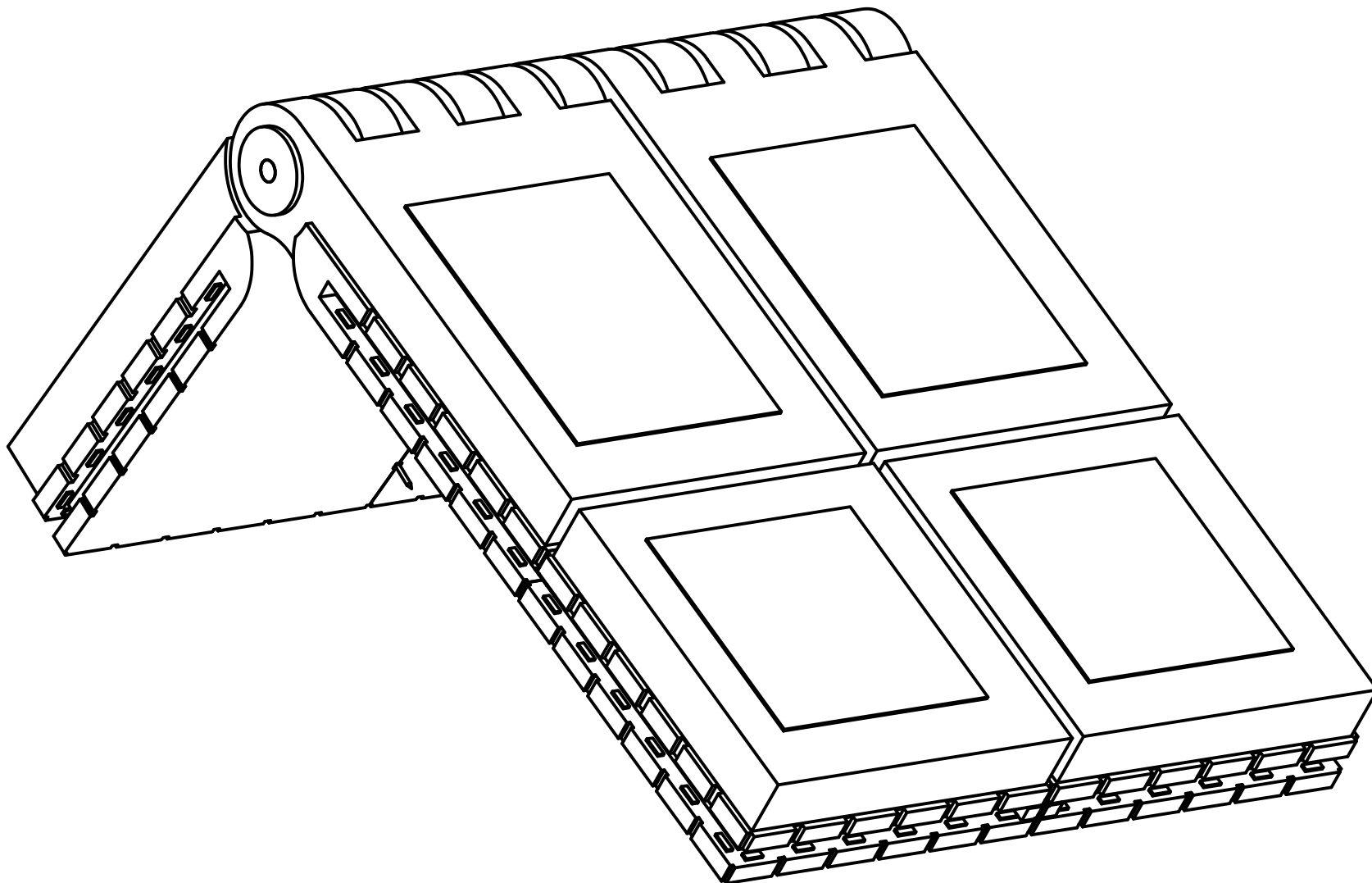
4

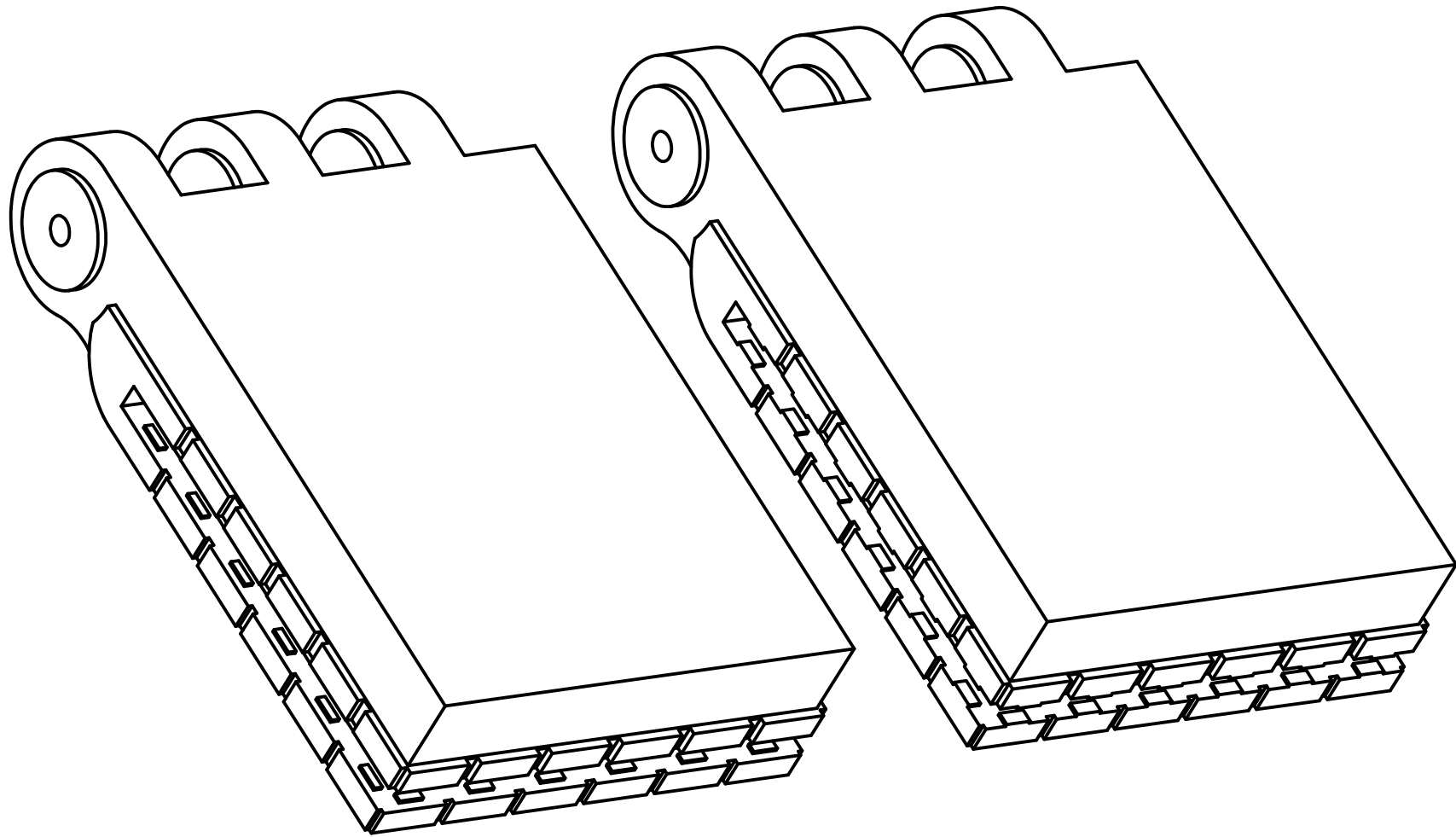
3

2

1







4

3

2

1

B

B

A

A



98.iam

4

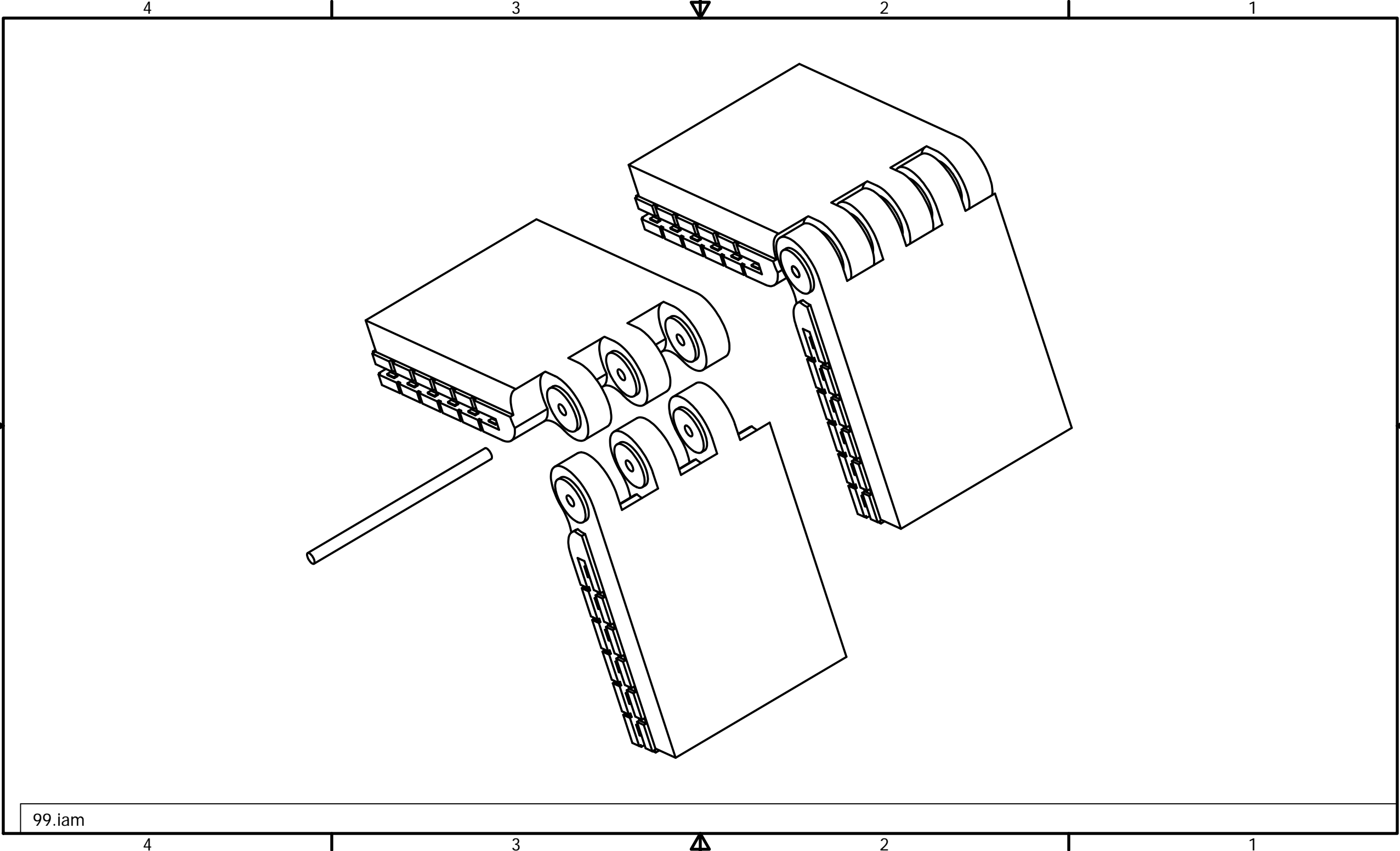
3

2

1

A

A



99.iam

4

3

2

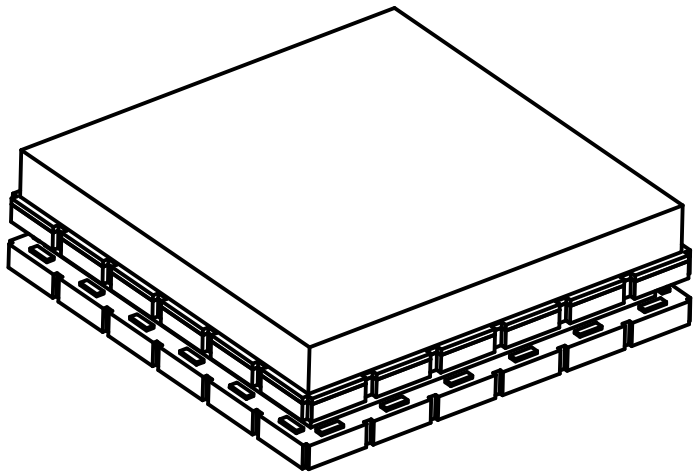
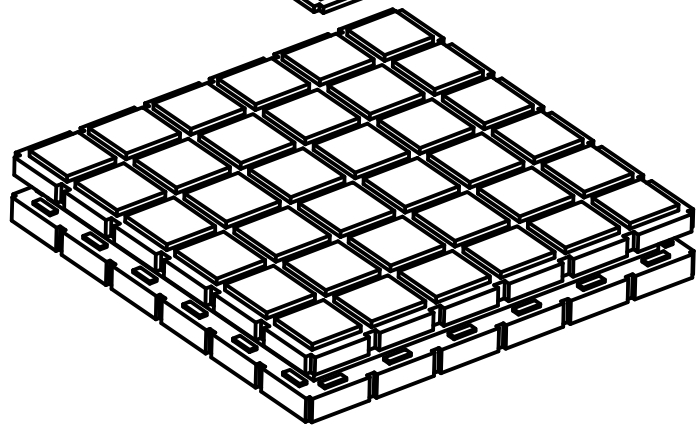
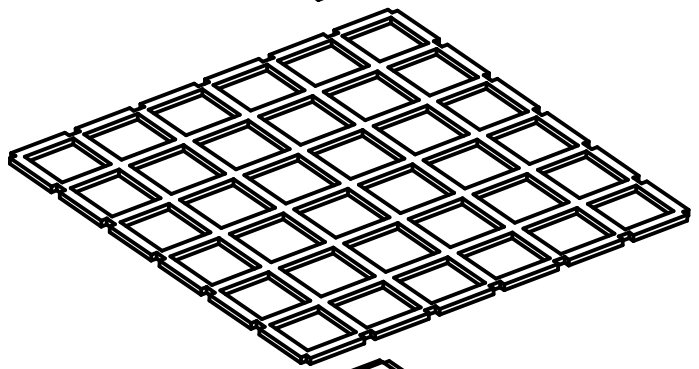
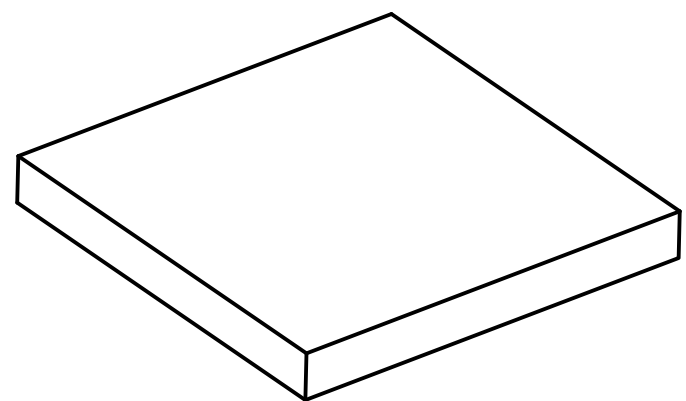
1

B

B

A

A



100.iam

4

3

2

1